

VERSION 1.0

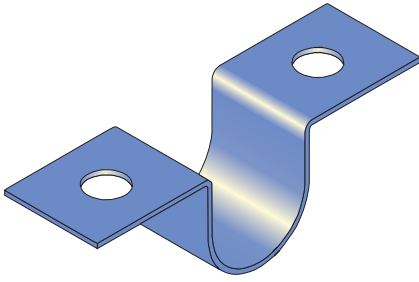
FIRE PROTECTION

LIGHT DUTY SADDLES	2
TWIST CLIPS	2
NUT CLIPS	2
U BOLTS	3
PEAR BANDS	3
CANTILEVER BRACKETS	4
BEAM CLAMPS	4
WEDGE NUTS	4
PURLIN CLIPS	5
PURLIN CLEATS	6
BEAM CLIPS	6
MEDIUM DUTY SADDLES	6
MEDIUM DUTY DOUBLE BOLTED CLAMPS	7
MEDIUM DUTY YOKE CLAMPS	7
TWO PIECE CHANNEL CLIPS	8
ANGLE / SLOTTED ANGLE	8
WRAP AROUND BANDS	8

PLEASE NOTE: ALL MEASUREMENTS ARE MILLIMETRE UNLESS SPECIFIED OTHERWISE

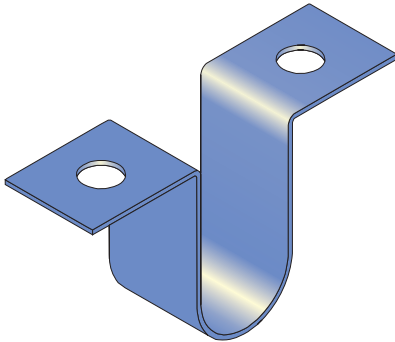


EF100 - LIGHT DUTY SHALLOW SADDLE



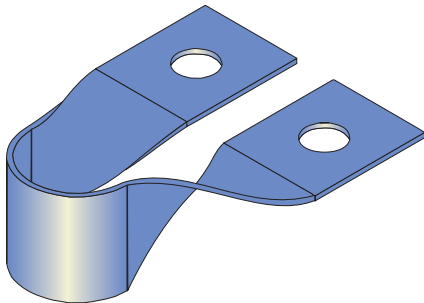
PART NO.	PIPE DIA.	FINISH	BOX QTY
EF100-034	25nb	GALVABOND	100
EF100-043	32nb		100
EF100-048	40nb		100
EF100-060	50nb		50

EF200 - LIGHT DUTY DEEP SADDLE



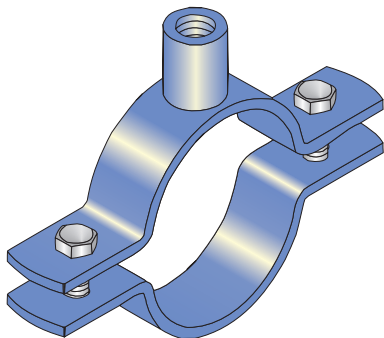
PART NO.	PIPE DIA.	FINISH	BOX QTY
EF200-034	25nb	GALVABOND	100
EF200-043	32nb		50
EF200-048	40nb		50
EF200-060	50nb		25

EF300 - TWIST CLIP



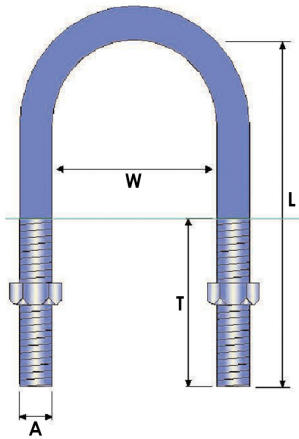
PART NO.	PIPE DIA.	FINISH	BOX QTY
EF300-034	25nb	GALVABOND	100
EF300-043	32nb		100
EF300-048	40nb		50
EF300-060	50nb		50
EF300-076	65nb		50
EF300-089	80nb		20

EF400 - NUT CLIPS



PART NO.	PIPE DIA.	MATERIAL	NUT	BOLT & NUT	FINISH	BOX QTY
EF400-021	15nb	20 x 3	M10	M6 x 25	ZINC & HDG	50
EF400-027	20nb	20 x 3	M10	M6 x 25		50
EF400-034	25nb	20 x 3	M10	M6 x 25		25
EF400-043	32nb	20 x 3	M10	M6 x 25		25
EF400-048	40nb	20 x 3	M10	M6 x 25		25
EF400-060	50nb	20 x 3	M10	M6 x 25		25
EF400-076	65nb	25 x 3	M12	M6 x 25		20
EF400-089	80nb	25 x 3	M12	M6 x 25		25
EF400-115	100nb	25 x 5	M12	M10 x 35		20
EF400-140	125nb	25 x 5	M12	M10 x 35		20
EF400-168	150nb	25 x 5	M12	M10 x 35		20
EF400-220	200nb	25 x 5	M12	M10 x 35		10

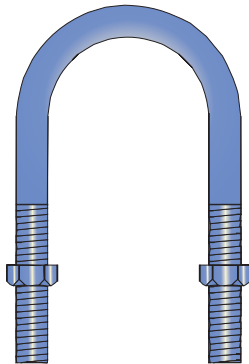
FM112 - STANDARD U BOLTS



PART NO.	PIPE DIA.	A	W	L	T	FINISH	BOX QTY
FM112-21	15nb	M10	21	65	50	HDG	25
FM112-27	20nb	M10	27	77	50		50
FM112-34	25nb	M10	34	85	50		20
FM112-43	32nb	M10	43	93	50		20
FM112-48	40nb	M10	48	100	50		25
FM112-60	50nb	M10	60	110	50		25
FM112-76	65nb	M12	76	127	50		20
FM112-89	80nb	M12	89	140	50		20
FM112-115	100nb	M12	115	165	50		25
FM112-140	125nb	M12	140	190	50		20
FM112-165	150nb	M12	165	215	50		10
FM112-168	150nb	M12	168	220	50		10
FM112-219	200nb	M16	219	295	75		10
FM112-273	250nb	M20	273	370	100		5
FM112-324	300nb	M20	324	420	100		5
FM112-356	350nb	M20	356	455	100		1
FM112-406	400nb	M20	406	505	100		1
FM112-457	450nb	M24	457	555	100		1
FM112-508	500nb	M24	508	605	100		1
FM112-610	600nb	M24	610	710	100		1

COMPLETE WITH TWO NUTS

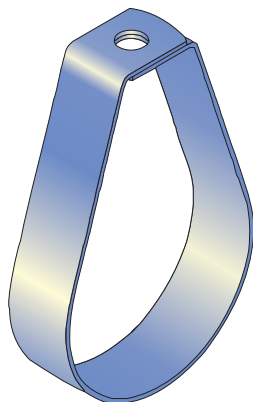
EF600 - LIGHT DUTY U BOLTS



PART NO.	PIPE DIA.	NUT	FINISH	BOX QTY
EF600-034	25nb	1/4"	ZINC	50
EF600-043	32nb	1/4"		50
EF600-048	40nb	1/4"		100
EF600-060	50nb	1/4"		100

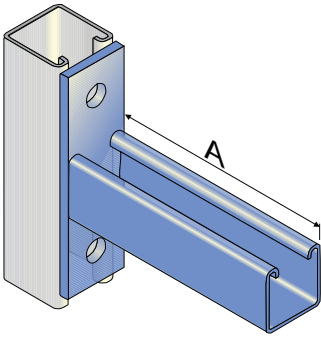
COMPLETE WITH TWO NUTS

EF500 - PEAR BAND FOR STEEL PIPE



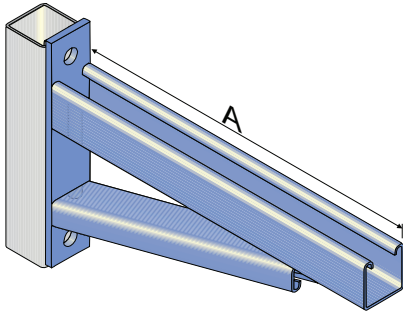
PART NO.	PIPE DIA.	MATERIAL	ROD DIA.	FINISH	BOX QTY
EF500-027	20nb	25 x 1.6	M10	GALVABOND, HDG & 316 SS	100
EF500-034	25nb	25 x 1.6	M10		100
EF500-043	32nb	25 x 1.6	M10		100
EF500-048	40nb	25 x 1.6	M10		100
EF500-060	50nb	25 x 1.6	M10		100
EF500-076	65nb	32 x 2.0	M12		50
EF500-089	80nb	32 x 2.0	M12		50
EF500-115	100nb	32 x 2.0	M12		20
EF500-140	125nb	40 x 3.0	M12		1
EF500-168	150nb	40 x 3.0	M12		1
EF500-220	200nb	40 x 3.0	M16	1	

FM156 - FLEXISTRUT CANTILEVER BRACKET



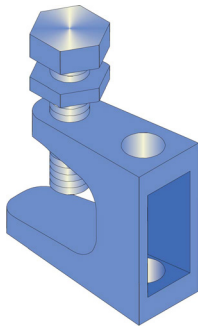
PART NO.	A	FINISH
FM156-200	200	HDG & 316 SS
FM156-350	350	
FM156-500	500	
FM156-650	650	
FM156-750	750	

FM158 - FLEXISTRUT CANTILEVER BRACKET



PART NO.	A	FINISH
FM158-200	200	HDG & 316 SS
FM158-350	350	
FM158-500	500	
FM158-650	650	
FM158-780	780	
FM158-900	900	
FM158-1150	1150	

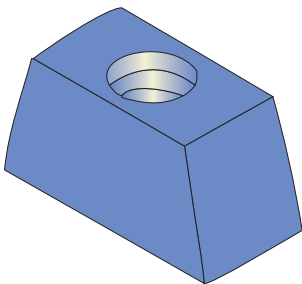
EF1600 - BEAM CLAMPS



PART NO.	ROD DIA.	FM APPROVAL	UL APPROVAL	VdS APPROVAL	FINISH	BOX QTY
EF1600-M08	M8		☑	☑	ZINC, HDG & 316 SS	50
EF1600-M10	M10	☑	☑	☑		50
EF1600-M12	M12	☑	☑	☑		50
EF1600-M16	M16	☑	☑	☑		50

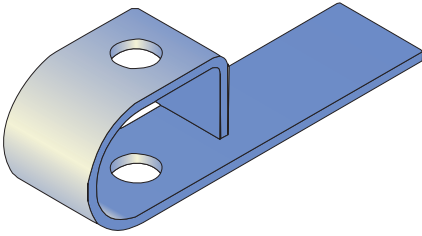


EF1800 - WEDGE NUT



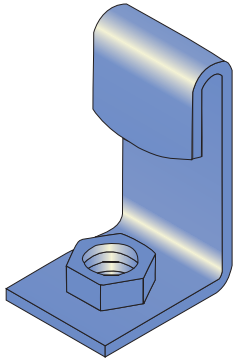
PART NO.	ROD DIA.	FINISH	BOX QTY
EF1800-M06	M6	ZINC	100
EF1800-M08	M8		100
EF1800-M10	M10		100

EF1900 - PURLIN CLIPS



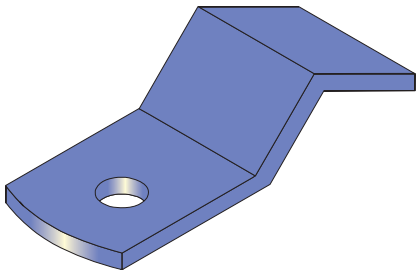
PART NO.	ROD DIA.	FINISH	BOX QTY
EF1900-M08	M8	ZINC	100
EF1900-M10	M10		100
EF1900-M12	M12		100

EF2000 - PURLIN CLIPS



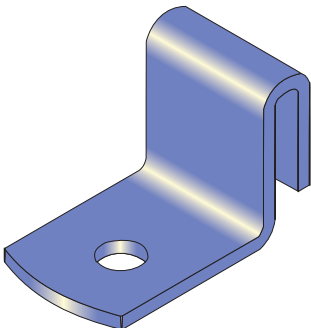
PART NO.	ROD DIA.	FINISH	BOX QTY
EF2000-M08	M8	ZINC	100
EF2000-M10	M10		100
EF2000-M12	M12		100

EF2200 - HEAVY DUTY PURLIN CLIPS



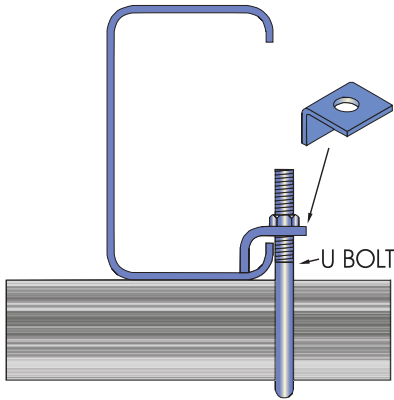
PART NO.	HOLE DIA.	FINISH	BOX QTY
EF2200	14Ø	HDG	25

EF2300 - PURLIN CLIPS



PART NO.	HOLE DIA.	FINISH	BOX QTY
EF2300-M08	M8	ZINC	100
EF2300-M10	M10		100

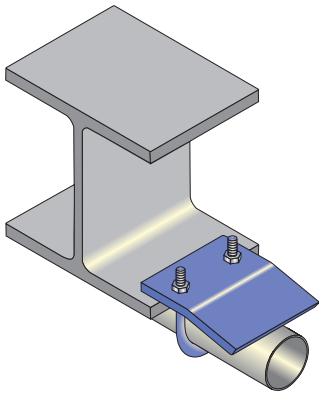
EF1400 - PURLIN CLEATS



PART NO.	U BOLT	FINISH	BOX QTY
EF1400-M06	M6	ZINC	200
EF1400-M10	M10		200
EF1400-M12	M12		100

NOTE: U BOLT NOT INCLUDED, ORDER SEPARATELY

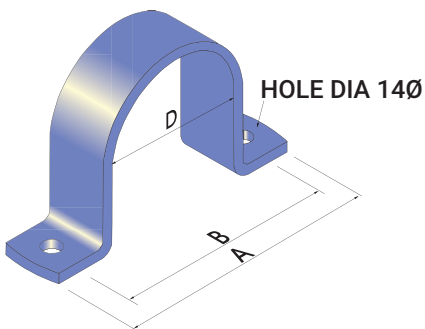
EF700 - PIPE BEAM CLIPS



PART NO.	PIPE DIA.	U BOLT	FINISH	BOX QTY
EF700LD	25nb to 50nb	M6	HDG	25
EF700	25nb to 50nb	M10		25

'U' Bolt NOT included.
 Sizes above 50nb available on request.

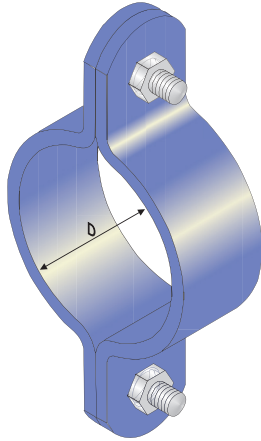
FM15 - MEDIUM DUTY SADDLES



PART NO.	PIPE DIA.	D	A	B	MATERIAL	FINISH	BOX QTY
FM15-021	15nb	21	115	75	40 x 5	HDG & 316 SS	50
FM15-027	20nb	27	121	81	40 x 5		25
FM15-034	25nb	34	128	88	40 x 5		25
FM15-043	32nb	43	137	97	40 x 5		20
FM15-048	40nb	48	142	102	40 x 5		20
FM15-060	50nb	60	154	114	40 x 5		10
FM15-073	65nb	73	167	127	40 x 5		10
FM15-076	80cu	76	170	130	40 x 5		5
FM15-089	80nb	89	183	143	40 x 5		5
FM15-115	100nb	115	210	170	40 x 6		5
FM15-140	125nb	140	236	196	40 x 6		5
FM15-165	155ns	165	261	221	40 x 6		5
FM15-168	150nb	168	261	224	40 x 6		5
FM15-220	200nb	220	315	275	40 x 6		5

STANDARD FINISHES ONLY:
 OTHER FINISHES AVAILABLE ON REQUEST

FM16 - MEDIUM DUTY DOUBLE BOLTED CLAMP

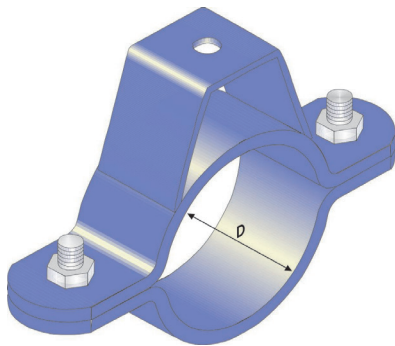


STANDARD FINISHES ONLY:
OTHER FINISHES AVAILABLE ON REQUEST

NOTE: 316 SS IS MADE TO ORDER

PART NO.	PIPE DIA.	D	HOLE CENTRES	BOLT	MATERIAL	FINISH	BOX QTY
FM16-034	25nb	34	88	M12 x 45	40 x 6	HDG & 316 SS	20
FM16-043	32nb	43	97	M12 x 45	40 x 6		20
FM16-048	40nb	48	99	M12 x 45	40 x 6		20
FM16-051	50cu	51		M12 x 45	40 x 6		20
FM16-060	50nb	60	112	M12 x 45	40 x 6		10
FM16-064	65cu	64	118	M12 x 45	40 x 6		10
FM16-076	80cu	76	124	M12 x 45	40 x 6		10
FM16-083	83ns	83	131	M12 x 45	40 x 6		10
FM16-089	80nb	89	137	M12 x 45	40 x 6		10
FM16-102	100cu	102	150	M12 x 45	40 x 6		10
FM16-115	100nb	115	163	M12 x 45	40 x 6		10
FM16-127	125cu	127	175	M12 x 45	40 x 6		5
FM16-140	125nb	140	188	M12 x 45	40 x 6		5
FM16-152	152cu	152	200	M12 x 45	40 x 6		5
FM16-168	150nb	168	216	M12 x 45	40 x 6		5
FM16-178	175ns	175	223	M12 x 45	40 x 6		5
FM16-190	190ns	190	238	M12 x 45	40 x 6		5
FM16-203	200cu	203	251	M12 x 45	40 x 6		5
FM16-220	200nb	220	268	M12 x 45	40 x 6		5
FM16-228	228ns	228	276	M12 x 45	40 x 6		5
FM16-240	240ns	240	288	M12 x 45	40 x 6		5
FM16-252	250cu	252	300	M12 x 45	40 x 6		5
FM16-275	250nb	275	323	M12 x 45	40 x 6		5
FM16-304	300cu	304	352	M12 x 45	40 x 6		5
FM16-315	315ns	304	363	M12 x 45	40 x 6		5
FM16-324	300nb	324	372	M12 x 45	40 x 6		5

FM18 - MEDIUM DUTY YOKE CLAMP

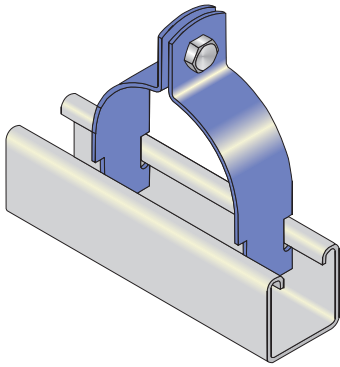


STANDARD FINISHES ONLY:
OTHER FINISHES AVAILABLE ON REQUEST

NOTE: 316 SS IS MADE TO ORDER

PART NO.	PIPE DIA.	D	HOLE DIA	BOLT	MATERIAL	FINISH	BOX QTY
FM18-048	40nb	48	14Ø	M12 x 45	40 x 6	HDG & 316 SS	10
FM18-060	50nb	60	14Ø	M12 x 45	40 x 6		10
FM18-064	64cu	64	14Ø	M12 x 45	40 x 6		10
FM18-076	80cu	76	14Ø	M12 x 45	40 x 6		10
FM18-083	83ns	83	14Ø	M12 x 45	40 x 6		10
FM18-089	80nb	89	14Ø	M12 x 45	40 x 6		10
FM18-102	100cu	102	14Ø	M12 x 45	40 x 6		10
FM18-115	100nb	115	14Ø	M12 x 45	40 x 6		5
FM18-127	125cu	127	14Ø	M12 x 45	40 x 6		5
FM18-140	125nb	140	14Ø	M12 x 45	40 x 6		5
FM18-152	152cu	152	14Ø	M12 x 45	40 x 6		5
FM18-168	150nb	168	14Ø	M12 x 45	40 x 6		5
FM18-178	178ns	178	14Ø	M12 x 45	40 x 6		5
FM18-190	190ns	190	14Ø	M12 x 45	40 x 6		5
FM18-203	200cu	203	14Ø	M12 x 45	40 x 6		5
FM18-220	200nb	220	14Ø	M12 x 45	40 x 6		5
FM18-228	228ns	228	14Ø	M12 x 45	40 x 6		5
FM18-240	240ns	240	14Ø	M12 x 45	40 x 6		5
FM18-252	250cu	252	14Ø	M12 x 45	40 x 6		5
FM18-275	250nb	275	18Ø	M12 x 45	40 x 6		5
FM18-304	300cu	304	18Ø	M12 x 45	40 x 6		5
FM18-315	315ns	304	18Ø	M12 x 45	40 x 6		5
FM18-324	300nb	324	18Ø	M12 x 45	40 x 6		5

FM132 - TWO PIECE CHANNEL CLIP

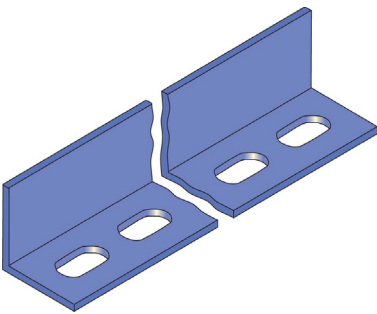


FINISH: ZINC, HDG & 316 SS
STANDARD SIZES SHOWN:
 OTHER SIZES AVAILABLE ON REQUEST

PART NO.	PIPE DIA.	MATERIAL	BOX QTY
FM132-8	8cu	32 x 1.6	200
FM132-10	10cu	32 x 1.6	200
FM132-12.7	15cu	32 x 1.6	100
FM132-17	17ns	32 x 1.6	100
FM132-20	20cu	32 x 1.6	100
FM132-21	15nb	32 x 1.6	100
FM132-25	25cu	32 x 1.6	100
FM132-27	20nb	32 x 1.6	100
FM132-29	29ns	32 x 2.0	100
FM132-32	32cu	32 x 2.0	100
FM132-34	25nb	32 x 2.0	100
FM132-38	40cu	32 x 2.0	100
FM132-43	32nb	32 x 2.0	100
FM132-48	40nb	32 x 2.0	100
FM132-51	50cu	32 x 2.5	50
FM132-54	54ns	32 x 2.5	50
FM132-57	57ns	32 x 2.5	50
FM132-60	50nb	32 x 2.5	50
FM132-64	65cu	32 x 2.5	50
FM132-67	67ns	32 x 2.5	50
FM132-70	70ns	32 x 2.5	50
FM132-73	65nb/ SCHED40	32 x 2.5	50
FM132-76	65nb/80cu	32 x 2.5	50
FM132-79	79ns	32 x 2.5	50
FM132-83	83ns	32 x 2.5	50
FM132-86	86ns	32 x 2.5	50
FM132-89	80nb	32 x 2.5	50
FM132-92	92ns	32 x 2.5	50
FM132-95	95ns	32 x 2.5	50

PART NO.	PIPE DIA.	MATERIAL	BOX QTY
FM132-98	98ns	32 x 2.5	50
FM132-102	102cu	32 x 2.5	25
FM132-105	105ns	32 x 2.5	25
FM132-108	108ns	32 x 2.5	25
FM132-110	110ns	32 x 2.5	25
FM132-115	100nb	32 x 2.5	25
FM132-117	117ns	32 x 2.5	25
FM132-121	121ns	32 x 2.5	25
FM132-127	125cu	32 x 2.5	25
FM132-133	133ns	32 x 2.5	25
FM132-140	125nb	32 x 2.5	25
FM132-146	146ns	32 x 2.5	25
FM132-152	152cu	32 x 2.5	25
FM132-159	159ns	32 x 2.5	25
FM132-165	150nb	32 x 2.5	25
FM132-168	150nb SCHED40	32 x 2.5	25
FM132-171	171nb	32 x 2.5	25
FM132-178	178ns	32 x 2.5	25
FM132-190	190ns	32 x 2.5	25
FM132-203	200cu	32 x 2.5	20
FM132-220	200nb	32 x 2.5	20
FM132-228	228ns	32 x 2.5	20
FM132-240	240ns	32 x 2.5	20
FM132-252	252cu	32 x 2.5	20
FM132-268	268ns	32 x 2.5	20
FM132-275	250nb	32 x 2.5	20
FM132-302	300cu	32 x 2.5	20
FM132-315	315ns	32 x 2.5	20
FM132-324	300nb	32 x 2.5	20

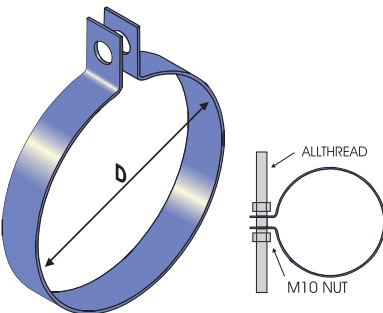
EF1500 - ANGLE / SLOTTED ANGLE



PART NO.	MATERIAL	SLOT	STANDARD LENGTH	FINISH
EF1500-030	30 x 30 x 2.5	11 x 25	3m & 6m	ZINC
EF1500-040	40 x 40 x 2.5	12 x 25	3m & 6m	
EF1500-050	50 x 50 x 5.0	14 x 30	3m & 6m	
EF1500-065	65 x 65 x 5.0	18 x 32	6m	

MIN. YIELD STRESS 400MPa
 MIN. TENSILE STRENGTH 450MPa

WRAP AROUND BANDS



PART NO.	PIPE DIA.	D	MATERIAL	HOLE SIZE	FINISH	BOX QTY
FM127SP-027	20nb	27	25 x 1.0	11Ø	GALVABOND	100
FM127SP-034	25nb	34	25 x 1.0	11Ø		100
FM127SP-043	32nb	43	25 x 1.2	11Ø		50
FM127SP-048	40nb	48	25 x 1.2	11Ø		50
FM127SP-060	50nb	60	25 x 1.2	11Ø		50