

Please check actual product in box for bracket type used (Hardware)

# GATSBY 600X1000D

**PRODUCT CODE**  
 G60100D

## LED MIRROR

**SPECIFICATIONS**

WIDTH	600mm
HEIGHT	1000mm
DEPTH	35mm
WEIGHT	10kg
ORIENTATION	Portrait/Landscape

**FEATURES**

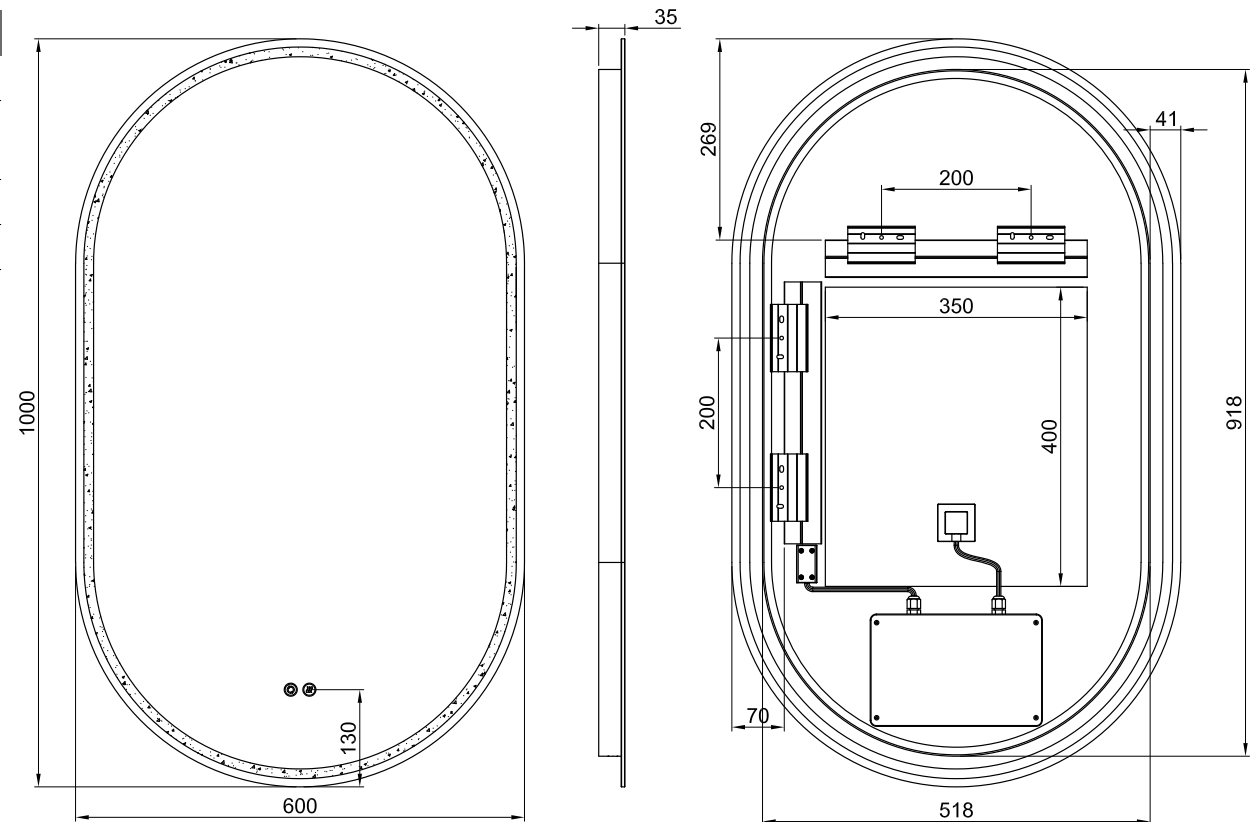
- Copper Free Mirror
- LED Lighting  
(Adjustable Colour Temperature)
- Touch Sensor
- Demister with 1 Hour Auto Cut-off

**LIGHTING SPECIFICATIONS**

CCT	2700K - 6500K
CRI	>80

**INSTALLATION**

- Wall mount
- Hardwire
- Input voltage: 220-240v 50Hz



Disclaimer: All LED Products requiring hardwiring must be installed by a licensed electrician in accordance with local regulations. Sizes are in mm and nominal and should be checked prior to installation. Actual colours may vary so please check colour samples before ordering. Installation is acceptance of our products. Installation of faulty, warped, chipped or damaged products will void our warranty.

Please check actual product in box for bracket type used (Hardwire/Plug)

# GATSBY 600X1000D

**PRODUCT CODE**  
 G60100D

## LED MIRROR

**SPECIFICATIONS**

WIDTH	600mm
HEIGHT	1000mm
DEPTH	35mm
WEIGHT	10kg
ORIENTATION	Portrait/Landscape

**LIGHTING SPECIFICATIONS**

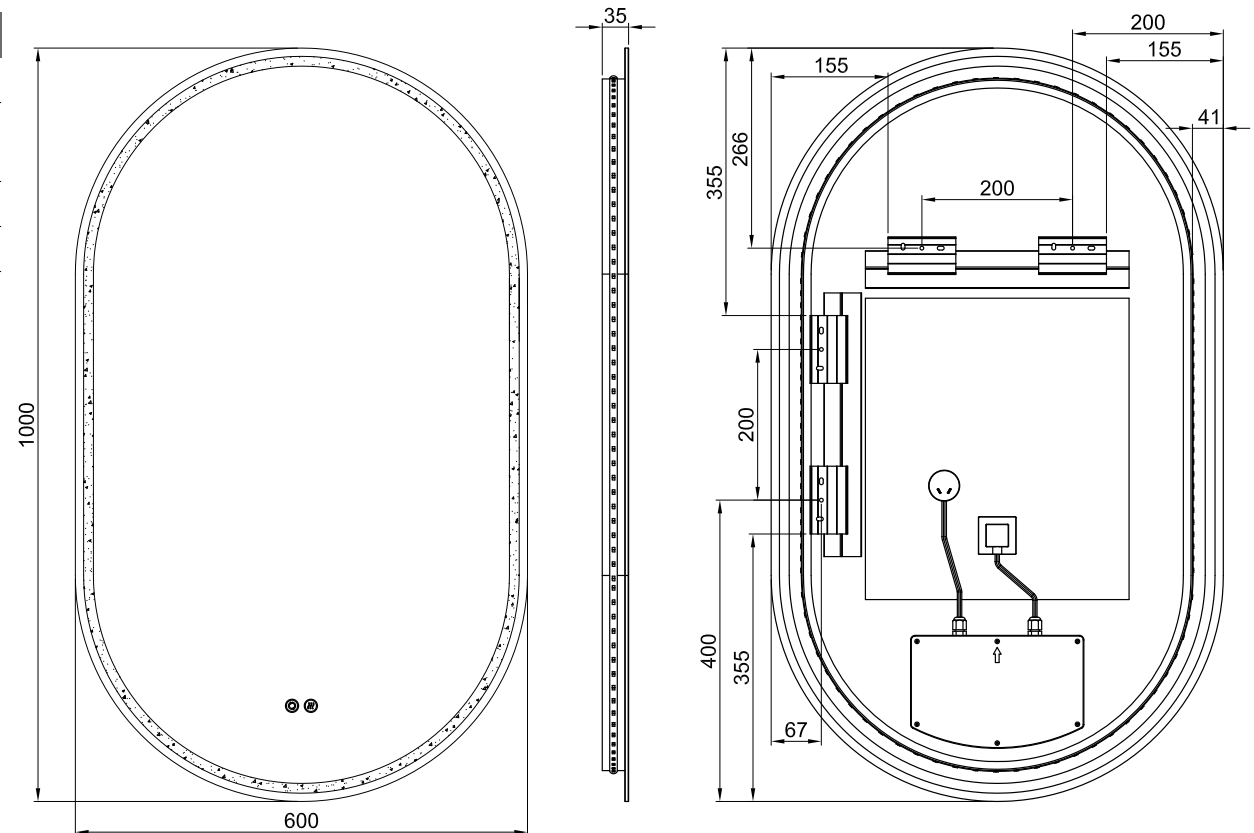
CCT	2700K - 6500K
CRI	>80

**INSTALLATION**

Wall mount
Hardwire / Plug
Input voltage: 220-240v 50Hz

**FEATURES**

Copper Free Mirror
LED Lighting (Adjustable Colour Temperature)
Touch Sensor
Demister with 1 Hour Auto Cut-off



Disclaimer: All LED Products requiring hardwiring must be installed by a licensed electrician in accordance with local regulations. Sizes are in mm and nominal and should be checked prior to installation. Actual colours may vary so please check colour samples before ordering. Installation is acceptance of our products. Installation of faulty, warped, chipped or damaged products will void our warranty.

Please check actual product in box for bracket type used (Hardwire)

# GATSBY 600X1000D

## LED MIRROR

### SPECIFICATIONS

WIDTH	605mm
HEIGHT	1005mm
DEPTH	40mm
WEIGHT	10kg
ORIENTATION	Portrait/Landscape

### LIGHTING SPECIFICATIONS

CCT	2700K - 6500K
CRI	>80

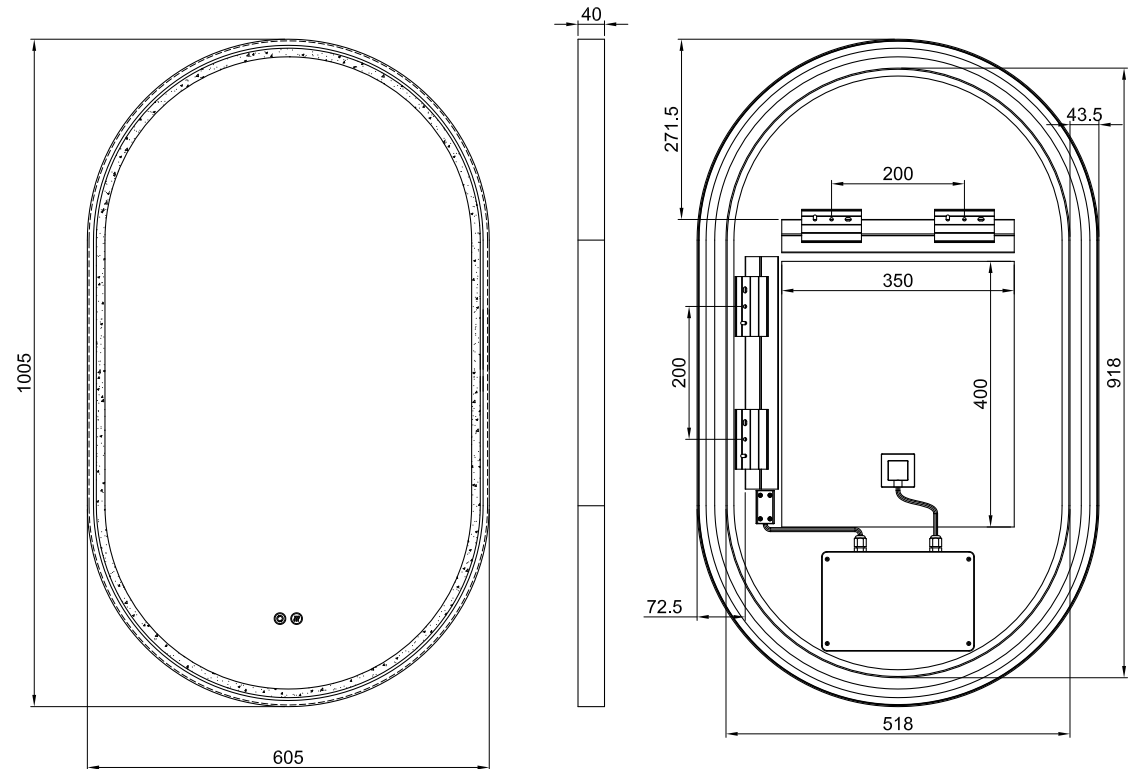
### INSTALLATION

Wall mount
Hardwire
Input voltage: 220-240v 50Hz

### FEATURES

Copper Free Mirror
LED Lighting (Adjustable Colour Temperature)
Touch Sensor
Demister with 1 Hour Auto Cut-off

FINISH		PRODUCT CODE
Brushed Brass		G60100D-BB
Brushed Nickel		G60100D-BN
Gun Metal		G60100D-GM
Matte Black		G60100D-MB
Matte White		G60100D-MW



Disclaimer: All LED Products requiring hardwiring must be installed by a licensed electrician in accordance with local regulations. Sizes are in mm and nominal and should be checked prior to installation. Actual colours may vary so please check colour samples before ordering. Installation is acceptance of our products. Installation of faulty, warped, chipped or damaged products will void our warranty.

Please check actual product in box for bracket type used (Hardwire/Plug)

# GATSBY 600X1000D

## LED MIRROR

### SPECIFICATIONS

WIDTH	605mm
HEIGHT	1005mm
DEPTH	40mm
WEIGHT	10kg
ORIENTATION	Portrait/Landscape

### LIGHTING SPECIFICATIONS






CCT	2700K - 6500K
CRI	>80

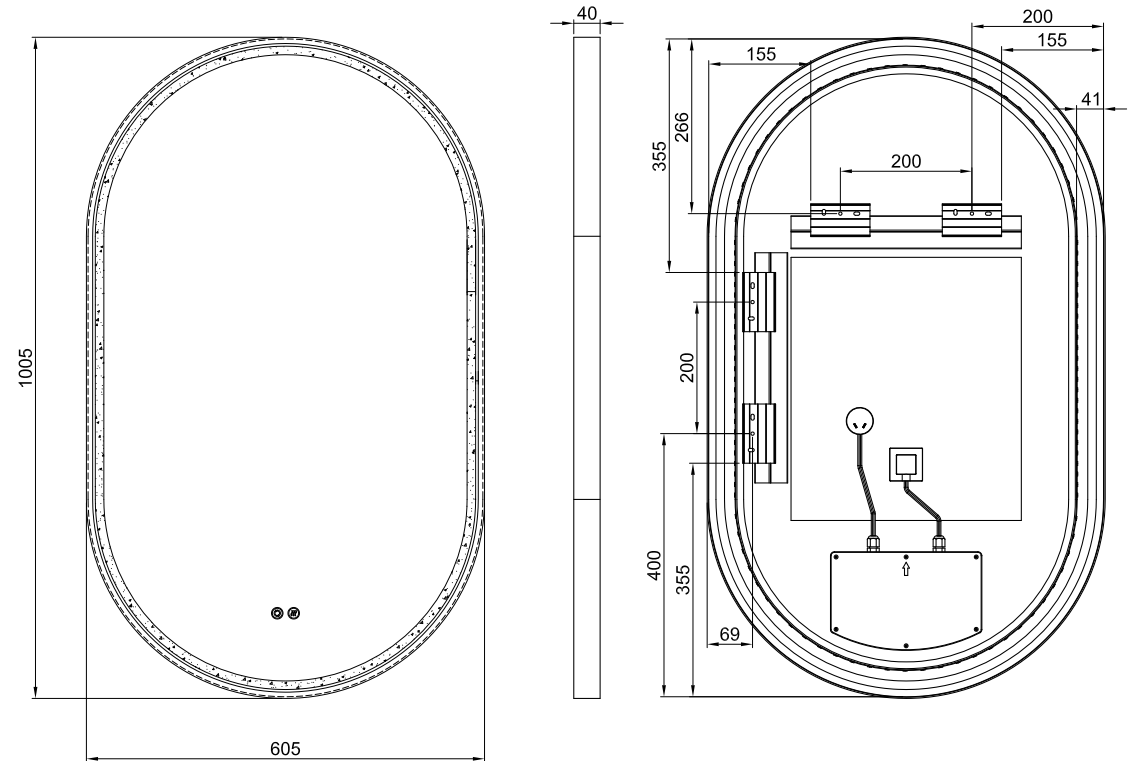
### INSTALLATION

Wall mount
Hardwire / Plug
Input voltage: 220-240v 50Hz

### FEATURES

Copper Free Mirror
LED Lighting (Adjustable Colour Temperature)
Touch Sensor
Demister with 1 Hour Auto Cut-off

FINISH	PRODUCT CODE
Brushed Brass 	G60100D-BB
Brushed Nickel 	G60100D-BN
Gun Metal 	G60100D-GM
Matte Black 	G60100D-MB
Matte White 	G60100D-MW



Disclaimer: All LED Products requiring hardwiring must be installed by a licensed electrician in accordance with local regulations. Sizes are in mm and nominal and should be checked prior to installation. Actual colours may vary so please check colour samples before ordering. Installation is acceptance of our products. Installation of faulty, warped, chipped or damaged products will void our warranty.