

Evo

POLYMARBLE SQUARE/RECTANGULAR SHOWER BASE

CODE: EVxxCW

FEATURES

- High strength self supporting PolyMarble construction
- Anti-skid surface and perimeter draining for improved safety
- 17mm tile flange
- 65mm entrance step height
- Durable white finish
- Integrated waste - 50mm male thread with dome cover
- Compatible with Flinders shower screens

MODELS

See product list table

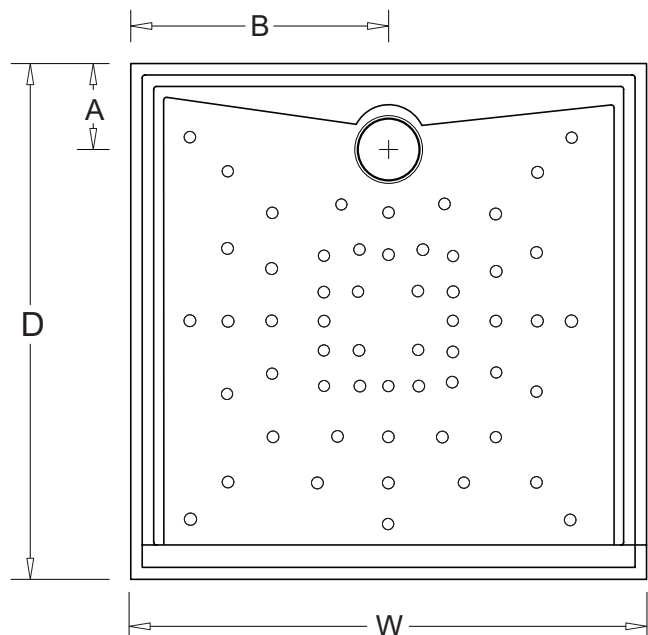
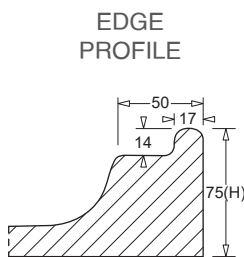
WARRANTY

20 years replacement

-refer to T&Cs at www.johnsonsuiss.com.au



PRODUCT DIMENSIONS



TECHNICAL DATA SHEET

SUPERSEDES ALL PREVIOUS ISSUES

All dimensions are in millimetres and are subject to normal manufacturing variation.
As product development is ongoing BPA reserves the right to vary specifications without notice.
Bathroom Products Australia Pty Ltd ABN 87 079 297 617

JohnsonSuisse
Bathroom Solutions

2/97 Banksia St., Botany, NSW 2019
TEL: 1300 717 717
www.johnsonsuiss.com.au

Evo

POLYMARBLE SQUARE/RECTANGULAR SHOWER BASE

PRODUCT LIST

SHAPE	CODE	STOCK	OUTLET	BASE SIZE W x D x H	A	B
SQUARE	EV26CW	STD	REAR	900 x 900 x 75	130	450
	EV26LCW			900 x 900 x 75 LHR	130	450
	EV26RCW			900 x 900 x 75 RHR	130	450
	EV40CW			1000 x 1000 x 75	130	500
	EV4LCW			1000 x 1000 x 75 LHR	130	500
	EV4RCW			1000 x 1000 x 75 RHR	130	500
	EV16CW	MTO		820 x 820 x 75	130	410
RECTANGULAR	EV33CW	STD		900 x 1220 x 75	130	450
	EV34CW			1220 x 900 x 75	130	610
	EV3LCW			1220 x 900 x 75 LHR	130	610
	EV3RCW			1220 x 900 x 75 RHR	130	610
	EV37CW			1500 x 900 x 75	130	750
	EV36CW	MTO		1370 x 900 x 75	130	685
	EV38CW	1660 x 900 x 75	130	830		

STD - Standard item
MTO - Made to order

LHR - Left hand return
RHR - Right hand return
DBL - Double entry

Evo

POLYMARBLE CORNER SHOWER BASE

CODE: EVxxCW

FEATURES

- High strength self supporting PolyMarble construction
- Anti-skid surface and perimeter draining for improved safety
- 17mm tile flange
- 65mm entrance step height
- Durable white finish
- Integrated waste - 50mm male thread with dome cover
- Compatible with Flinders shower screens



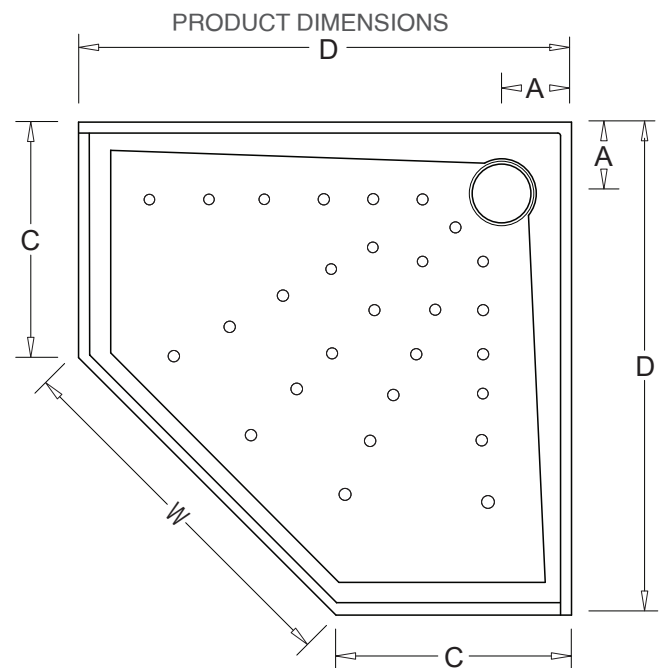
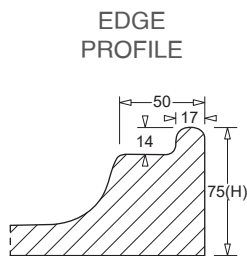
MODELS

See product list table

WARRANTY

20 years replacement

-refer to T&Cs at www.johnsonsisuisse.com.au



PRODUCT LIST

SHAPE	CODE	STOCK	OUTLET	BASE SIZE D x D x H	A	C	W
CORNER	EV39CW	STD	REAR	914 x 914 x 75	130	430	680
	EV29CW			1000 x 1000 x 75	130	430	800
	EV59CW	MTO		1200 x 1200 x 75	130	540	930

STD - Standard item
MTO - Made to order



Evo

POLYMARBLE CURVED CORNER SHOWER BASE

CODE: EVxxCW

FEATURES

- High strength self supporting PolyMarble construction
- Anti-skid surface and perimeter draining for improved safety
- 17mm tile flange
- 65mm entrance step height
- Durable white finish
- Integrated waste - 50mm male thread with dome cover
- Compatible with Flinders shower screens

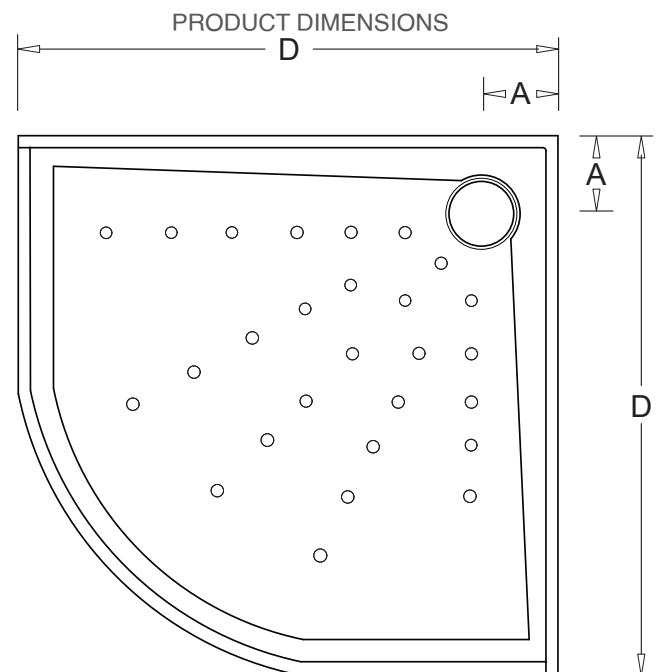
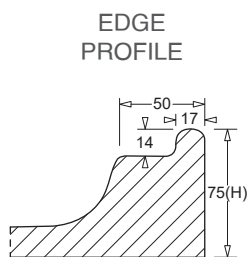
MODELS

See product list table

WARRANTY

20 years replacement

-refer to T&Cs at www.johnsonsuiss.com.au



PRODUCT LIST

SHAPE	CODE	STOCK	OUTLET	BASE SIZE D x D x H	A
CURVED CORNER	EV89CW	STD	REAR	914 x 914 x 75	130
	EV99CW			1000 x 1000 x 75	130