

# marbletrend new flinders

## LIGHTWEIGHT MARBELITE™ SHOWER BASE

CODE:MSBFxxCW.KW

### FEATURES

- MARBLELITE™ - light weight, high strength, polymarble
- Self-supporting on mortar bed or tile adhesive base
- Low profile construction with rear outlet
- Three tile-lip configurations available - suitable for alcove installation
- Patented 'top-fix' waste installation system - 80x50mm outlet with square white dome cover
- Optional square metallic outlet cover - 4 colours available
- Two standard shower base sizes available

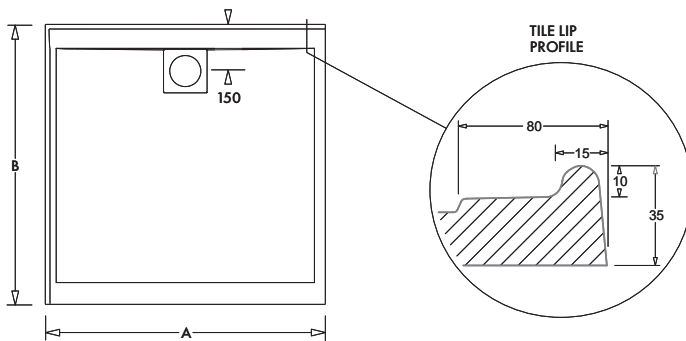
### MODELS

	A	B	RETURN OPTION
MSBF26CW.KW	900	900	NR
MSBF26LCW.KW			LHR
MSBF26RCW.KW			RHR
MSBF34CW.KW	1220	900	NR
MSBF34LCW.KW			LHR
MSBF34RCW.KW			RHR

### WARRANTY

20 years product replacement

- see [www.johnsonsuiss.com.au](http://www.johnsonsuiss.com.au) for T&Cs.



### OPTIONAL WASTE OUTLET COVERS



GUNMETAL  
FGG



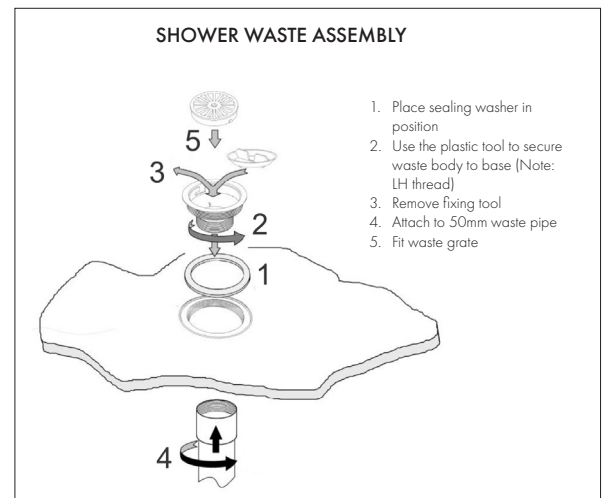
WHITE  
FGW



MATTE BLACK  
FGMB



STAINLESS STEEL  
FGSS



## TECHNICAL DATA SHEET

SUPERSEDES ALL PREVIOUS ISSUES

All dimensions are in millimetres and are subject to normal manufacturing variation.  
As product development is ongoing BPA reserves the right to vary specifications without notice.  
Bathroom Products Australia Pty Ltd ABN 87 079 297 617