

marbletrend flinders

TEMPERED GLASS SHOWER PANEL

DIMENSIONS

CODE

2000(H) x 865-890mm	SSSP26CHCLP
2000(H) x 1165-1190mm	SSSP34CHCLP

FEATURES

- Creates walk-in style shower
- 8mm toughened glass construction
- DIY friendly - Simple installation of fittings
- Acrylic support arm for rigidity
- Fully reversible for LH/RH installation
- 2000mm high with two length dimension options

MODELS

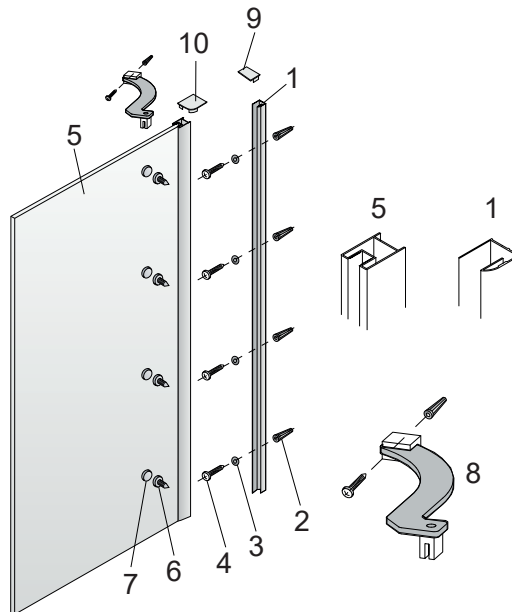
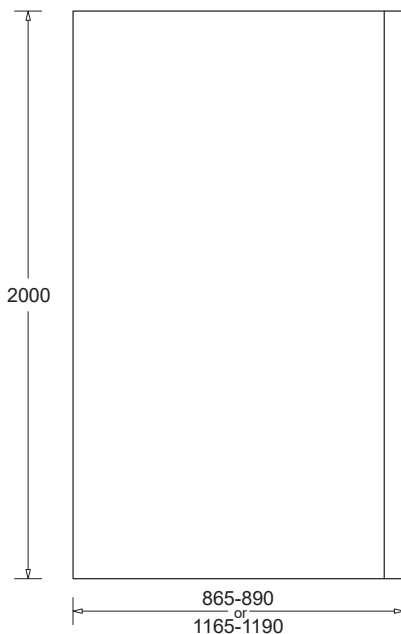
2000(H) x 865-890mm	SSSP26CHCLP
2000(H) x 1165-1190mm	SSSP34CHCLP

WARRANTY

Shower screen 7 years replacement
-refer to T&Cs at www.johnsonsuiss.com.au



PRODUCT DETAIL



COMPONENTS

1. Wall jamb
2. 4 x 6mm anchors
3. 4mm SS washer
4. 4 x 3.5x35mm SS screws
5. Fixed panel
6. 4 x 3.9x8mm SS screws
7. 4 x screw caps
8. Support arm assembly
9. Wall jamb cap
10. 2 x cover caps for fixed panel(L/R)

TECHNICAL DATA SHEET

SUPERSEDES ALL PREVIOUS ISSUES

All dimensions are in millimetres and are subject to normal manufacturing variation.
As product development is ongoing BPA reserves the right to vary specifications without notice.
Bathroom Products Australia Pty Ltd ABN 87 079 297 617