

Converting to 6/3L or 9/4.5L flush

Installation Instructions

The cistern factory set at 4.5/3L can be adjusted to 6/3L or 9/4.5L as detailed below
 The cistern factory set at 6/3L can be adjusted to 9/4.5L as detailed below

1. Turn off water supply. Pull both clips on front of cistern back to release Bridge mechanism.

2. Remove inner outlet valve assembly from the cistern by pulling upwards.

3. - Conversion to 6/3L
 Pull out small wrap around bucket in the middle by spreading the ends apart and twisting.

3. - Conversion to 9/4.5L
 Pull out the lower wrap around bucket by spreading the ends apart and twisting

4. Slide inner assembly back into cistern ensuring the dovetail guides at the rear line up and the dovetail guides at the front clip into place. Turn on water supply and check water level.

Manufacturer's Recommendations

Important: It is critical that the 4.5/3 and 6/3 litre cisterns be installed with a matching pan for the most effective operation. Leave the protective cover in place on the seat until the premises are occupied. All cisterns are factory tested but because water pressures vary, the water level must be set by the installer. For 4.5 and 6 litre flush, the level must be set at the line marked WL2. The inlet valve can be changed from right to left hand. Never use abrasive or harsh chemical cleaners. A wipe over with a warm soapy water is all that is required to maintain the high quality surface finish.

The inlet valve is fitted with an Inline Strainer to allow easy removal for cleaning. This tail fits easily into the connection pipe. Installation of the cistern without strainer can lead to damage to the inlet valve from water borne contaminants leading to cistern malfunction. Please ensure that the Inline Strainer is properly installed for best product performance.



1 Check that the pan is installed within dimensional tolerances. Mark out the fixing holes for the cistern.

2 In masonry, drill 8mm diameter holes and insert the plugs provided. In timber, drill 3mm diameter pilot holes.

3 Leave the screws protruding by 10mm.

4 Cut the flush pipe to dimensions shown. Lubricate the kee seal with soap and water and fit the pipe into the pan. Fit the coupling nut and seal onto the flushpipe.

5 Lower the cistern onto the pipe and hook it over the mounting screws.

6 Hand tighten the coupling nut.

7 Nip up the mounting screws.

8 Flush the water supply line.

9 Make sure that the strainer is in place. Then fit the water supply pipe using approved fittings.

10 Turn on the water. Operate the cistern and check for leaks.

11 Actuate the Inlet valve at least once to purge any trapped air in the valve. Adjust the water level to the WL2 mark.

12 Push the link plate into position for marking.

13 Position the seat and mark the link plate as shown.

14 Fitting of the seat will be made easier if a sharp knife is used to put a bevel on the cut edge.

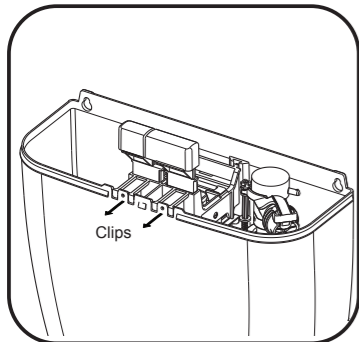
15 Push the link plate back into place and seat bolts into pan holes.

16 Tighten seat bolt nuts.

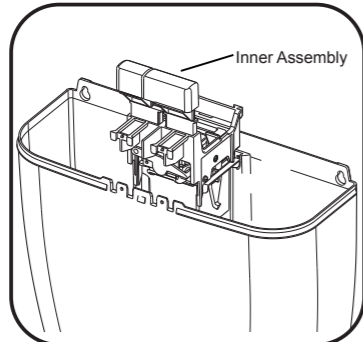
17 Carefully refit the lid.

Converting to 9/4.5L flush

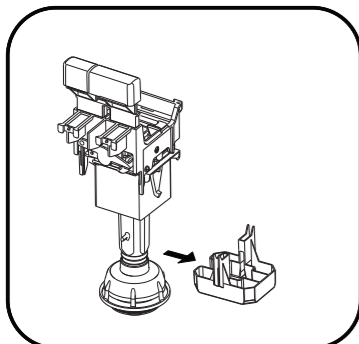
This cistern is factory set at 6/3L and can be adjusted 9/4.5L as detailed below



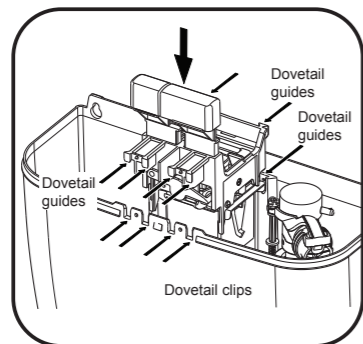
1. Turn off water supply. Pull both clips on front of cistern back to release Bridge mechanism.



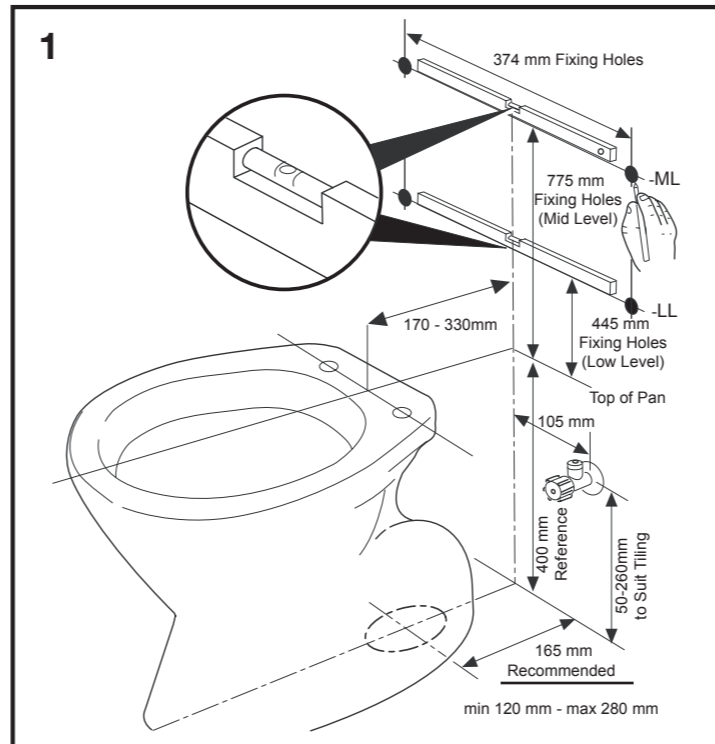
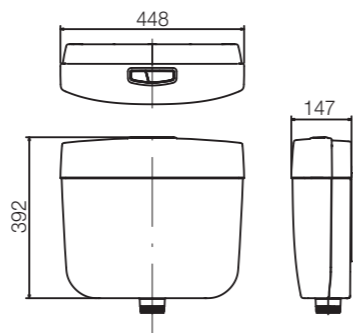
2. Remove inner outlet valve assembly from the cistern by pulling upwards.



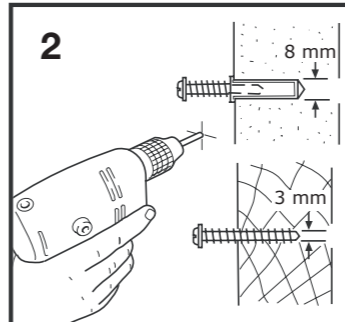
3. - Conversion to 9/4.5L
Pull out the lower wrap around bucket by spreading the ends apart and twisting



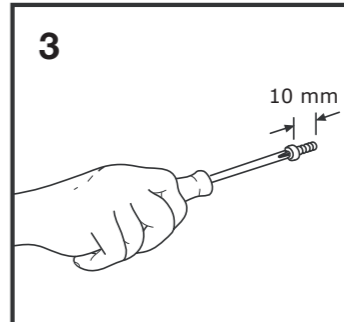
4. Slide inner assembly back into cistern ensuring the dovetail guides at the rear line up and the dovetail guides at the front clip into place. Turn on water supply and check water level.



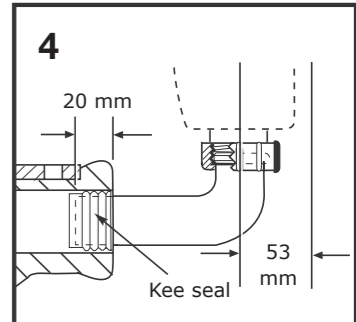
Check that the pan is installed within dimensional tolerances. Mark out the fixing holes for the cistern.



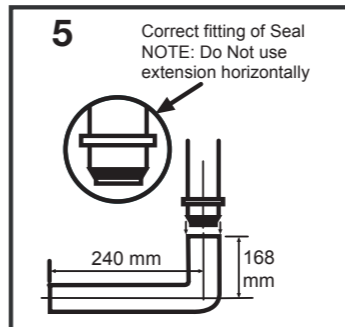
2 In masonry, drill 8mm diameter holes and insert the plugs provided. In timber, drill 3mm diameter pilot holes.



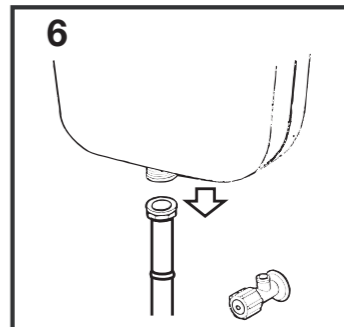
3 Leave the screws protruding by 10mm.



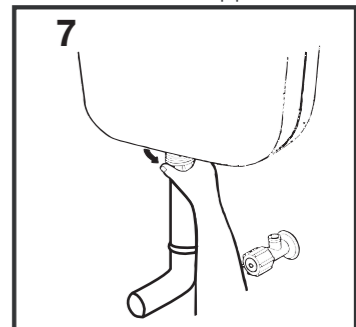
4 Cut the flush pipe to dimensions shown. Lubricate the kee seal with soap and water and fit the pipe into the pan. Fit the coupling nut and seal onto the flushpipe.



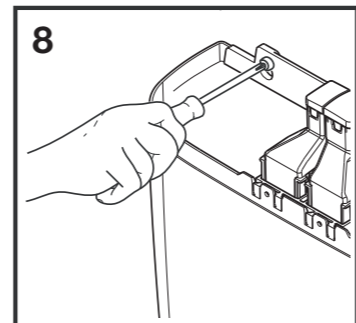
5 Correct fitting of Seal
NOTE: Do Not use extension horizontally
When installing low level use L-shape pipe only. For mid level fit the seal and lubricate with soap and water. Push firmly into the shorter leg of the flush pipe.



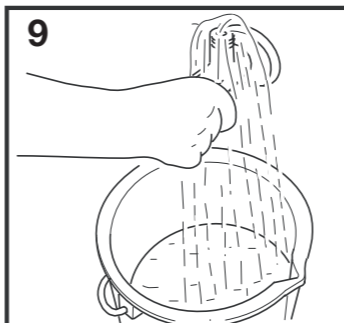
6 Lower the cistern onto the pipe and hook it over the mounting screws.



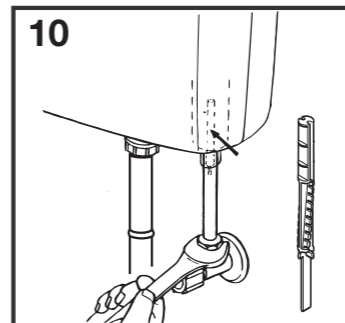
7 Hand tighten the nut.



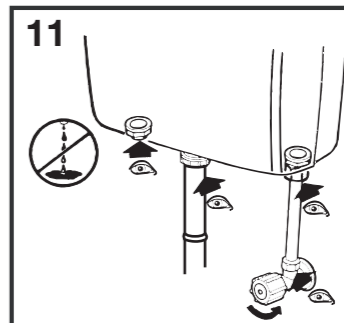
8 Nip up the mounting screws.



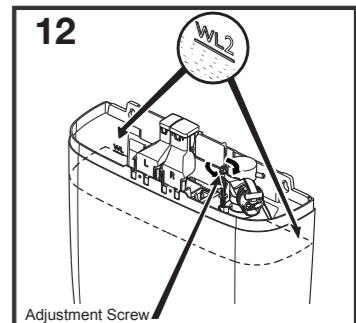
9 Flush the water supply line.



10 Make sure that the strainer is in place. Then fit the water supply pipe using approved fittings.



11 Turn on the water. Operate the cistern and check for leaks.



12 Actuate the Inlet valve at least once to purge any trapped air in the valve. Adjust the water level to the WL2 mark.

Manufacturer's Recommendations

Important: This is a 6/3 litre cistern. It is critical that it be installed with a matching pan for the most effective operation. Leave the protective cover in place on the seat until the premises are occupied. All cisterns are factory tested but because water pressures vary, the water level must be set by the installer. For 6 litre flush, the level must be set at the line marked WL2. The inlet valve can be changed from right to left hand. Never use abrasive or harsh chemical cleaners. A wipe over with a warm soapy water is all that is required to maintain the high quality surface finish.

The inlet valve is fitted with an Inline Strainer to allow easy removal for cleaning. This tail fits easily into the connection pipe. Installation of the cistern without strainer can lead to damage to the inlet valve from water borne contaminants leading to cistern malfunction. Please ensure that the Inline Strainer is properly installed for best product performance.

