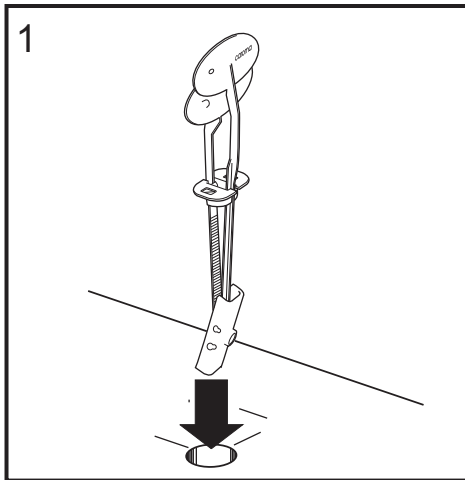
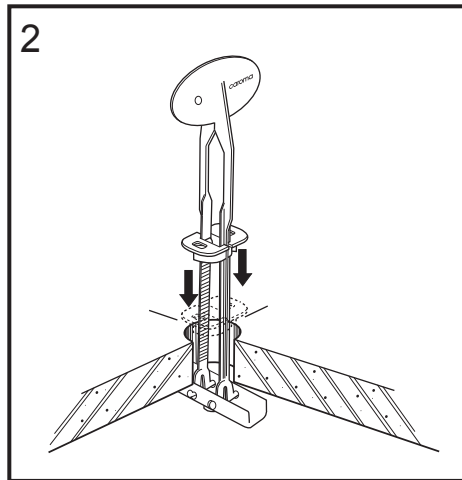


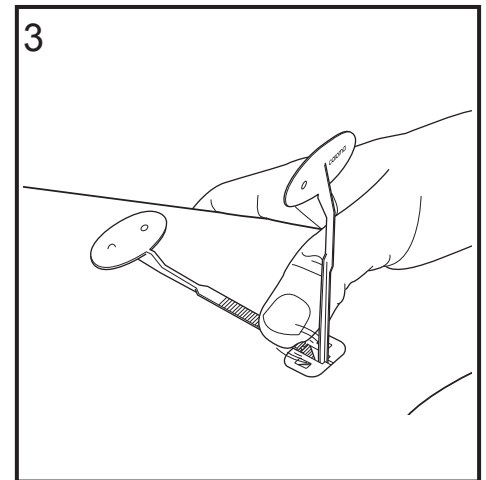
Caravelle Care Single Flap and Double Flap Toilet Seat



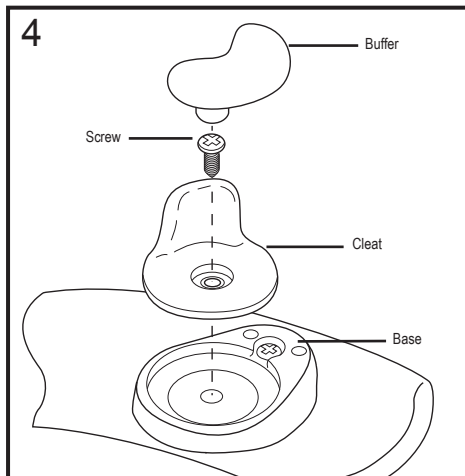
1 Push metal toggle through pan hole.



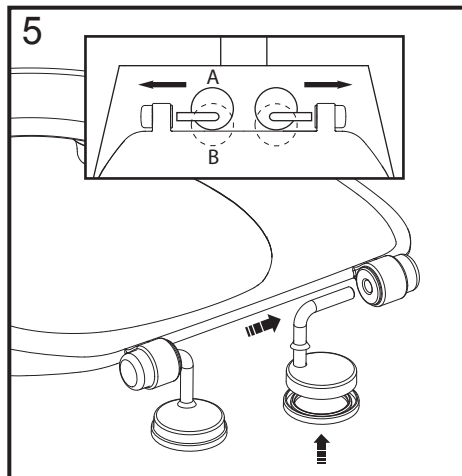
2 Realign handles and pull upwards while pushing locking bush down into pan hole.



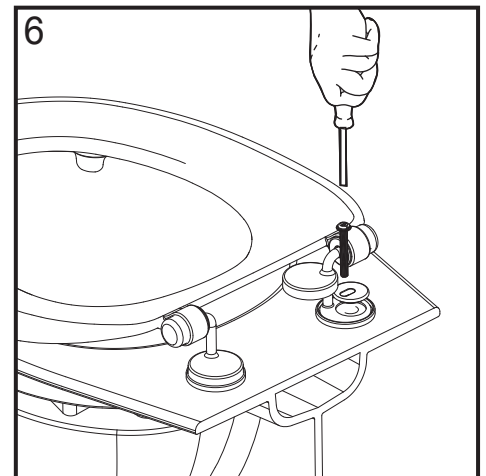
3 Break off handles flush with locking bush. Trim excess with a pair of side cutters if required.



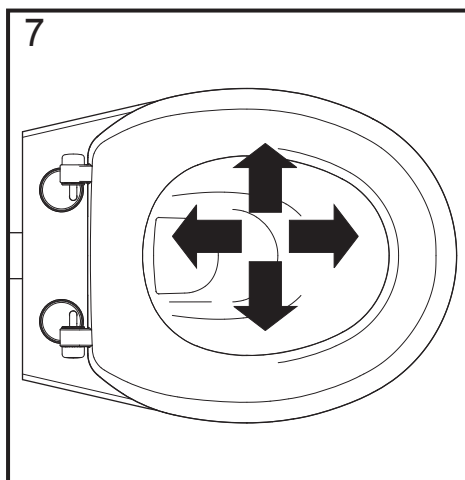
4 Position the cleat in the base so that it sits as close as possible to the inside rim of the Pan. Insert the Rubber Buffer.



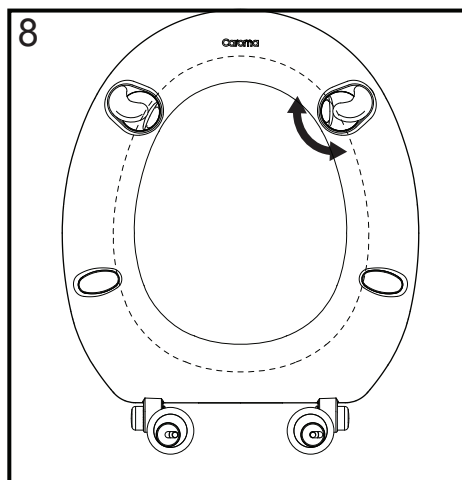
5 Insert the left hand and right hinges as per position 'A'. Push on rubber pad to base of stainless steel hinge. Thicker rimmed pans may require hinges to be inserted as per position 'B'



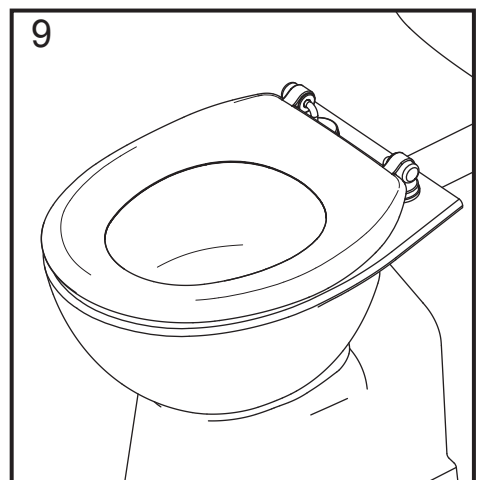
6 Remove the steel cover, insert the plastic washer and loosely bolt the hinges to the pan. If hinges inserted as per position 'B', lift flap to access bolt from front.



7 Position the Seat on the Pan then fully tighten the bolts, replace the steel cover and ensure seals are firmly in place at base of hinge posts



8 Cleats need to be located against the pan's inside rim. Remove rubber buffer and screw to rotate and adjust the cleats as required.



9 Single Flap seat shown

IMPORTANT : Never use abrasive or harsh chemical cleaners. Wipe seat with warm soapy water to maintain surface finish.