



COSMO - ACCESSORIES

CAROMA

INSTALLATION INSTRUCTIONS

Into Timber:

- 1) When fixing directly to timber, a $\varnothing 2.5\text{mm}$ pilot hole should be drilled. Refer to note 5 for fixing procedure.

Into Sheet Cladding:

- 2) When fixing to timber framed walls which are clad only with sheet material, we strongly recommend that at least one end of the fitting be positioned over a wall stud. Then use the screws (1) supplied directly into the wall stud. If the other end does not line up with a stud, a butterfly toggle or gravity toggle (not supplied) should be used, through the sheet cladding. Your retailer can recommend a suitable type.

Into Sheet Cladding which has been tiled:

- 3) When fixing to timber framed walls which are clad with sheet material and then tiled, the plastic plugs (2) supplied will give a satisfactory fixing. We recommend that one end of the fitting be positioned over and directly screwed to a wall stud. A $\varnothing 5\text{mm}$ hole is required to fit the plugs (2)

Solid Walls:- (Brick, masonry blocks, concrete etc)

- 4) When fixing to masonry walls, care should be taken to avoid drilling into mortar joints. the plastic plugs (2) will give a satisfactory fixing. A $\varnothing 5\text{mm}$ hole is required to fit the plugs (2).

Fixing of Accessories to Walls.

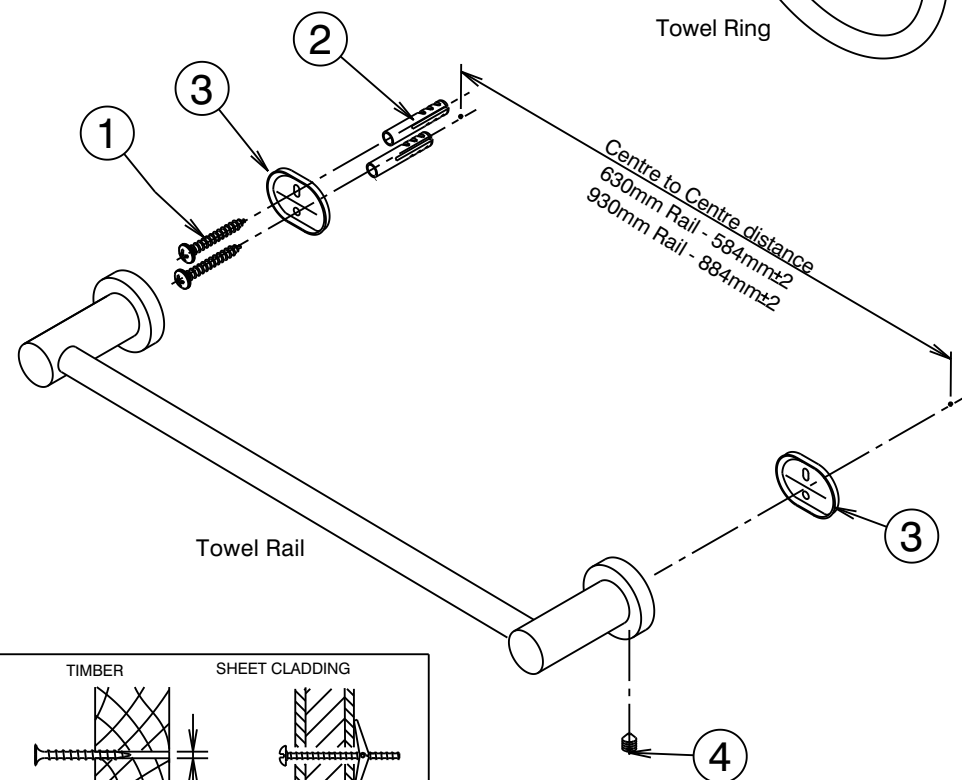
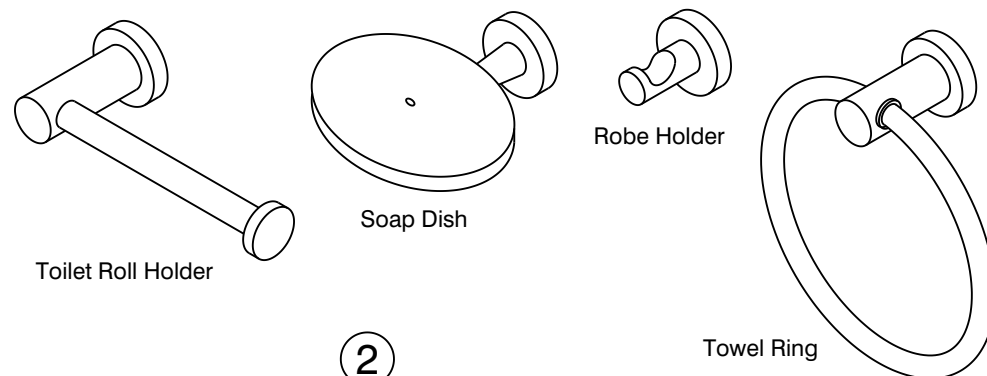
- 5) Drill holes to match mounting plate (3). Note: centre to centre mounting plate holes is 10mm. Fit the screws (1) through mounting plate (3) top and bottom slots before screwing them into the installed plastic plugs (2). Assemble each base of the accessories onto the installed mounting plate (3), then screw the slotted fixing screw (4) on the underside of the base until firmly in position.

Centre to Centre Fixing Hole Locations

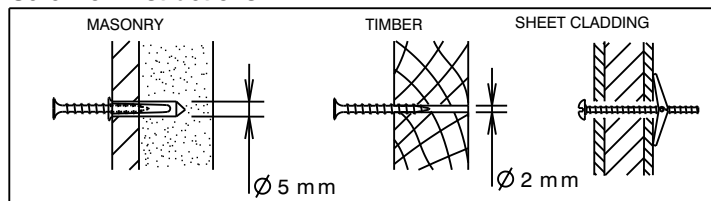
- Towel Rail 630 (Single/Double) : $584\text{mm} \pm 2$
- Towel Rail 930 (Single/Double) : $884\text{mm} \pm 2$
- Towel Rack : $584\text{mm} \pm 2$ Upper mount
: $487\text{mm} \pm 2$ Lower mount
- Towel Arms : $123\text{mm} \pm 1$ (Vertical)
- Hand Towel Rail : $188\text{mm} \pm 2$
- Metal Shelf : $374\text{mm} \pm 2$
- Glass Shelf (Single) : $300 - 500\text{mm}$
- Glass Shelf (Double) : $390\text{mm} \pm 2$ (Horizontal)
: $345\text{mm} \pm 2$ (Vertical)

Important:

This Caroma product is manufactured with pride from quality materials. The high gloss surface finish is attractive, easy to clean and sanitary. We recommend that it be cleaned with soap and warm water only and then dried with a soft cloth. The product can be damaged by chemical or abrasive cleaners. If the product is accidentally splashed with cleaning chemicals, wipe immediately.



Screw-on Instructions



Use the screws and plugs for masonry, and screws only for timber. ButterflyToggle (not supplied) should be used for sheet cladding.