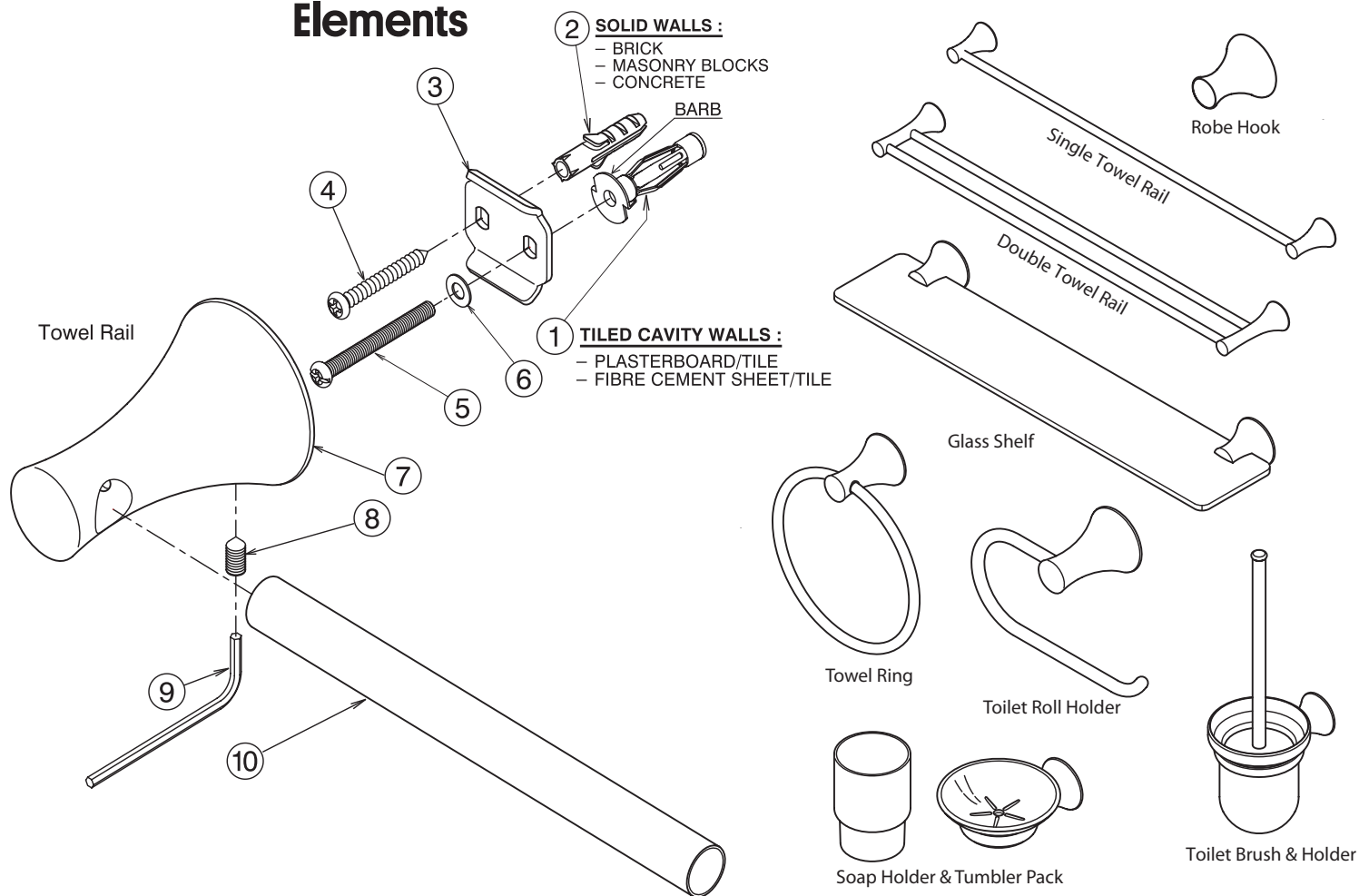


Caroma ELEGANCE BATHROOM ACCESSORIES

Elements



Easy Installation Guide

Installing your Caroma Elegance bathroom accessories is an easy process. Everything you need is included. The only additional tools required are a drill and a screwdriver.

The procedure is the same for all the accessories.

Important Information

- Hollow wall anchor (1) is only suitable for use in cavity walls with a tiled surface. If installing into a plasterboard cavity wall (untiled) it is recommended that the accessory be attached to the wall in line with a stud or noggin using suitable screws.
- To prevent drill from wandering on tiled surfaces it is recommended that masking tape be applied before drilling.
- Centre distances between each pair of drilled holes:
 - For Towel Rail Single/Double: 762 ± 2 mm.
 - For Glass Shelf: Mark centres of bases with shower shelf resting against wall.
- Do not use the Glass Shelf for personal support
- Over time, the mounting screws which are used to install the product may be affected by exposure to water, which may cause the screws to rust and loosen. You should periodically check that your Glass Shelf is fastened securely to the wall.

Note: Centre distance between bases (7) can be adjusted by carefully cutting rail (10) to suit.

Installation

1. SOLID WALLS: (Brick, masonry blocks, concrete etc)

- Drill holes 6mm diameter, 40mm deep.
- Insert rounded end of wall plugs (2) into drilled holes and push in until flush with the wall surface.
- Fit screws (4) through slots in fixing plates (3) before inserting into wall plugs (2).
- Tighten screws (4).
- For Glass Shelf / Towel Rail: Check alignment of both fixing plates before tightening screws (4).

1. TILED CAVITY WALLS: (Plasterboard/tile, fibre cement sheet/tile)

Note: Total wall thickness must be between 8-16mm when using supplied wall anchor.

- Drill holes 8mm diameter.
- Flatten barbs on head flange of wall anchors (1). Insert the wall anchors (1) into the drilled holes until the head flange is against the wall surface.
- Fit the wall anchor M4 screws (5) with washers (6) through the top & bottom slots in fixing plates (3) before screwing them into installed wall anchors.
- Tighten screws (5).
- For Glass Shelf / Towel Rail: Check alignment of both fixing plates before tightening screws (5).

1. UNTILED CAVITY WALLS: (Plasterboard)

- Determine a suitable position to attach fixing plates (3) so that they can be fixed to a stud or noggin in the wall.
- Fit suitable screws (4) through top & bottom slots in fixing plates (3) and screw directly into stud or noggin. Check alignment of both fixing plates before tightening screws.

2. INSTALLING THE SOAP DISH/TOWEL RING/TOILET ROLL HOLDER/ROBE HOOK:

- Loosen the screw (8) on the accessory using the allen key (9) provided. Install accessory (7) onto fixing plate (3), making sure that fixing screw (8) is located underneath as shown.
- With accessory resting securely against wall surface, tighten screw (8) using the allen key (9).

2. INSTALLING THE GLASS SHELF/TOWEL RAIL:

- Install glass shelf / towel rail assembly onto fixing plates (3), making sure that fixing screws (8) are located underneath as shown.
- With glass shelf / towel rail assembly resting securely against wall surface, tighten screws (8) using the allen key (9) provided.