

# Caroma®

CI/SfB	(74.2)	g3
Date	October 2016	

Supersedes all previous issues

## Liano

### Ceramic Wall Basin

Nominal Size: 420mm x 470mm

# 1.13.1



### Ceramic Wall Basin

Basin Size: 420mm x 470mm (nominal)

### Vitreous China Shroud



The **Liano** wall basin has been designed to meet the needs of the designer market for prestige projects. An architectural minimalist style was adopted for the square Liano incorporating a generous bowl area and distinctive tapware platform. The basin is suitable for domestic and commercial applications.

**Tap Holes:** Basin available in: One taphole – centre option Code No.649315.

**Waste Outlet:** The basin has been designed for the Caroma waste outlet suitable for a 40mm trap connection. Chrome flush fitting waste and white plug supplied. Alternative waste options are available — Plug & anti-vandal flush fitting chrome waste Code No.687141C; Plug & chrome grate waste Code No.687328C; Chrome pop-up plug and waste Code No.687329C; 40mm Modena bottle trap Code No.687290C.

**Shroud:** Liano Shroud, Code No.812260 completely conceals P-trap waste pipe fittings. Use concealed fixing bracket – supplied and 40mm Caroma plastic P-trap Code No.102112.

**Note:** It is essential for the installation of the shroud to the basin that clearance is provided for the shroud in the plumbing setout from water inlet pipes and connections.

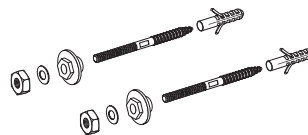
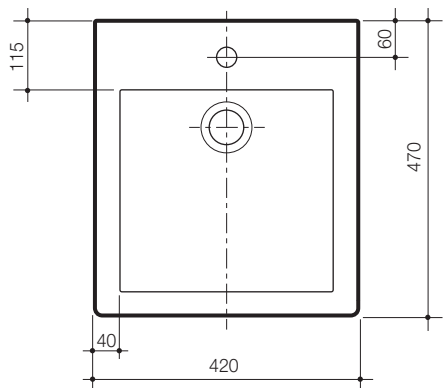
**Bowl Capacity:** 4.7 litres to overflow.

**Overflow:** Overflow available only. Designed for maximum tap flow rate of 15 litres/minute.

**Fixing:** **D.200 Basin Fixing Kit** – Supplied. Bolts directly to the finished wall.

**Colours:** White only.

**Dimensions:** All dimensions are in millimetres and are subject to normal manufacturing variations. Caroma pursues a policy of continuing improvement in design and performance of its products. The right is therefore reserved to vary specifications without notice.



**D.200 Basin Fixing Kit**  
included with basin

