

**THIS INSTALLATION INSTRUCTION
SUPERSEDES THE INSTALLATION OF THE
WASTE ON THE CUT-OUT TEMPLATE**

**PLUMBERS INSTALLATION INSTRUCTIONS
PLEASE READ CAREFULLY BEFORE INSTALLATION**

1. Disassemble product as detailed in **Fig.1**.
2. Fit stainless steel waste, with flexible sealant applied as shown, into basin waste hole.
3. Fit rubber seal and plastic outlet tail onto fixing bolt, and secure with fixing nut as detailed in **Fig.2**.
4. Ensure that the rubber seal is positioned with the inside sealing flange is facing upwards.

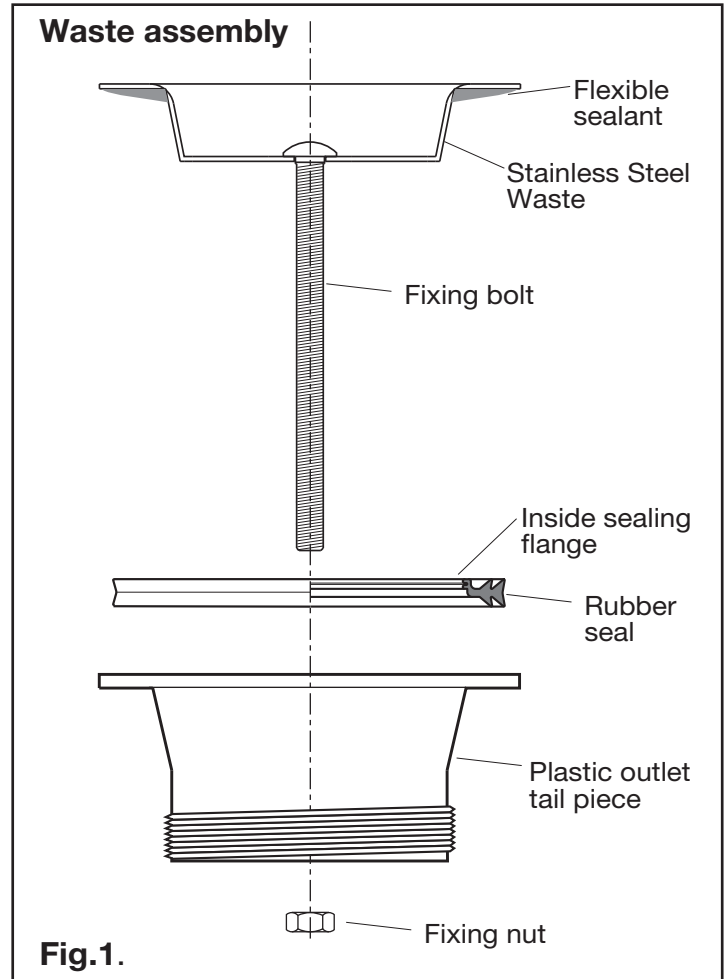


Fig.1.

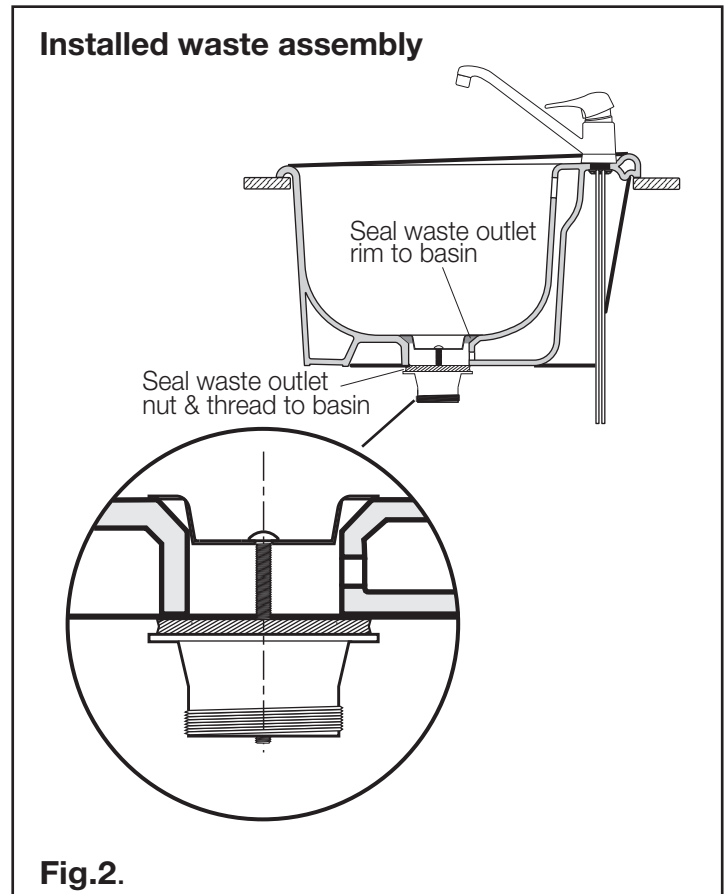


Fig.2.

Issue No: 3

Date of issue: 21/03/12

All measurements are subject to accepted manufacturing tolerances. To ensure complete accuracy please check actual product dimensions before drilling for installation. The manufacturer reserves the right to change specifications at any time without giving prior notification. This product should be installed by a qualified plumber. Local authority, Water Board, and Building Regulations may apply to the installation of this product, and you should consult the appropriate bodies on these requirements.