


INSTALL GUIDE



16 - 63mm Metric Compression Fittings

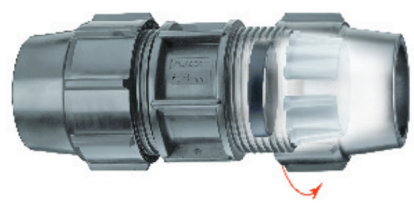


1



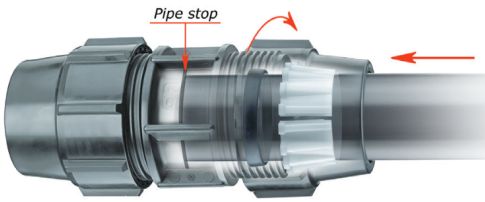
Cut pipe square, remove burrs and chamfer the end of the pipe with a file or chamfering tool. Use of a silicon based lubricant will ease the force required for pipe insertion.

2



Undo nut up to the last thread. Do not remove the nut. If the nut is removed care should be taken to ensure pipe is inserted square to the fitting.

3



Twist the pipe into the fitting through the nut and split ring until it meets the first resistance pushing against the captive O-Ring. Push and twist the pipe past the O-Ring until it stops at pipe stop inside the fitting — the final stop.

4



16–32mm Firmly hand tighten.
40–63mm Hand tighten then use a wrench for a further half turn.
Wrench handle length should not exceed 22cm.

HAND TIGHTEN

