

Stokes

Appliance Parts

Domestic Commercial Industrial

Thermostats & Controls Product Review

eliwell

Robertshaw 



www.stokesap.com.au

Robertshaw Energy Regulators and Thermostats

Robertshaw has been well known for producing reliable domestic and commercial appliance controls for many years. In particular Robertshaw has been renowned for producing excellent quality cooking controls for Ovens, Stoves, Grills and many other cooking appliances. The reliability and success of these products are evident in the continued use of appliances, fitted with Robertshaw controls, many years after their manufacture.

Naturally, appliances may need spare controls from time to time. Robertshaw continue to have specifically designed replacement controls available to the aftermarket even if original models have been made obsolete. The following pages include details on available replacement control kits, as well as cross references and advice of models that are no longer replaceable.

Energy Regulators

Robertshaw *Energy Regulators* are more commonly known as *Simmerstats*. They are generally used on electric cooking ranges, cooktops and grills to control an element. The *M-Series* energy regulators are the current models available in universal kits and some limited direct replacements. They also replace the *INFINITE* and *T-Series* models, which are no longer available. Following are some tables describing the models available and lists of energy regulators that can be replaced by the M-Series Models.

The M-Series Energy Regulator

Compact Design

Dimensions are 45mm x 38mm x 21mm. Terminals are located on the side instead of the back.

High Rating

M-Series rating is 240VAC 15A (Infinite is 12A)

Simple Installation

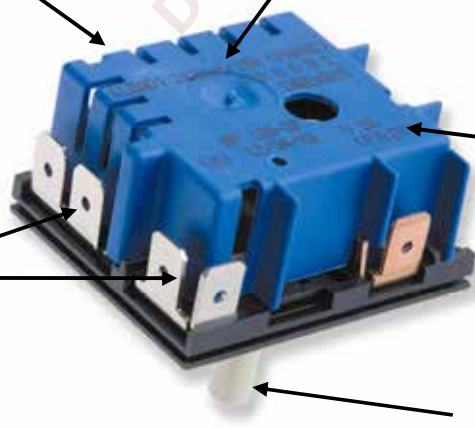
Terminals are named, not numbered

Convenience

Dual terminals on selected connections (not included on Infinities)

Adaptable

Also available with solid shafts as well as the universal



Replacement Energy Regulators

Part Number	Description	Specifications
M323-14	Energy Regulator, Single Element, Double Pole. Detents Low at 45 Deg CW. Direct Replacement Solid Shaft 6mm Diam X 22mm Long.	240VAC, 15Amp
M553-14	Energy Regulator, Single Element, with Phase Break. Detents Low at 45 Deg CW. Universal Shaft 3/16", 6mm or 1/4" Diam X 20mm or 22mm Long.	240VAC, 15Amp
M583-14	Energy Regulator, Single Element, with Isolated Pilot. Detents Low at 45 Deg CW. Universal Shaft 3/16", 6mm or 1/4" Diam X 20mm or 22mm Long.	240VAC, 15Amp
M823-14	Energy Regulator, Dual Element, with Phase Break. Detents Low at 30 Deg CW & CCW. Universal Shaft 3/16", 6mm or 1/4" Diam X 20mm or 22mm Long.	240VAC, 15Amp
M3V-102K	Energy Regulator, Single Element, with Phase Break. Detents Low at 75 Deg CW. Universal Shaft 3/16", 6mm or 1/4" Diam X 20mm or 22mm Long.	240VAC, 15Amp
MD3-110K	Energy Regulator, Dual Element, with Phase Break. Detents Low at 30 Deg CW & Hi at 30 Deg CCW. Universal Shaft 3/16", 6mm or 1/4" Diam X 20mm or 22mm Long	240VAC, 15Amp
MS4-217K	Energy Regulator, Single Element, with Isolated Pilot. Detents Low at 45 Deg CW. Direct Replacement Solid Shaft 6mm Diam X 22mm Long.	240VAC, 15Amp
MP-101	Energy Regulator SPSC with Pilot	240VAC, 15Amp

Energy Regulators Cross Reference

Use Part Number	In Place of Part Numbers
M323-14	MPA 101, INF32314, INF-311-00, INF-313-02, INF-321-00, INF-321-01, INF-323-02, INF-323-03, INF-322-04, INF-323-06, INF-323-07, INF-323-09, INF-323-11, INF-323-12, INF-323-16
M553-14	MP 104, M3V-700, INF55314, INF-511-00, INF-513-02, INF-512-03, INF-513-04, INF-513-06, INF-513-07, INF-512-08, INF-513-09, INF-521-00, INF-523-02, INF-523-03, INF-523-04, INF-522-05, INF-523-06, INF-523-07, INF-522-08, INF-523-10, INF-523-11, INF-521-13, INF-543-02, INF-551-00, INF-554-01, INF-553-02, INF-553-03, INF-553-04, INF-552-05, INF-553-07, INF-552-08, INF-553-09, INF-552-11, INF-553-12, INF-553-13, INF-553-15, INF-551-16, INF-552-17, INF-571-00, INF-573-03, INF-573-04, INF-572-05, INF-572-06, INF-573-07, INF-572-08, INF-573-09, T1 201, T1 202, T1 203, T1 205, T1 208, T3V 700, T3 201, T3 203, T3 205, T4 201, T4 204, T4 205, T4 208, T5 201, T5 202, T5 203, T5 204, T5 205, T5 210, T5 215, T6 201, T6 205, T6 207, TP 201, TP 202, TP 205
M583-14	MS 101, INF58314, MSV,600, INF-581-00, INF-582-01, INF-582-02, INF-583-03, INF-584-04, TS1 201, TS1 202, TS1 204, TS1 205, TS1 206, TS4 201, TS4 204, TS4 205, TSV 600

Energy Regulators Cross Reference (cont')

Use Part Number	In Place of Part Numbers
M823-14	MDP 102, MDP 105, MD3V-800, INF82314, INF-813-02, INF-813-03, INF-812-04, INF-812-05, INF-821-00, INF-824-01, INF-823-02, INF-823-03, INF-823-04, INF-822-05, INF-822-06, INF-823-07, INF-822-08, INF-823-14, INF-823-09, INF-823-11, INF-823-12, INF-823-15, INF-823-16, INF-822-18, INF-823-19, TD2 101, TD3 101, TD3 102, TD3 103, TD3 201, TD3 203, TD3 205, TD5 101, TD5 202, TD5 203, TD5 204, TD5 205, TD5 207, TD6 101, TD6 102, TD6 103, TD6 203, TD6 205, TD6 207, TDP 101, TDP 102, TDP 103, TDP 104, TDP 201, TDP 202, TDP 205 TD5-210
M3V-102K	T1 102, T1 103, T1 104, T2 102, T3 101, T3 102, T3V 102, T3 108, T4 101, T4 102, T4 105, T4 106, T5 101, T5 102, T6 101, T6 102, TP 101, TP 106
MD3-110K	MDP 110
MS4-217K	TS4 217
MP-101	MP-101EA, MP101EA, MP-101C, MP101KS, MP101-ETC, T5-10MP101KS, MP-101EAC

Notes:

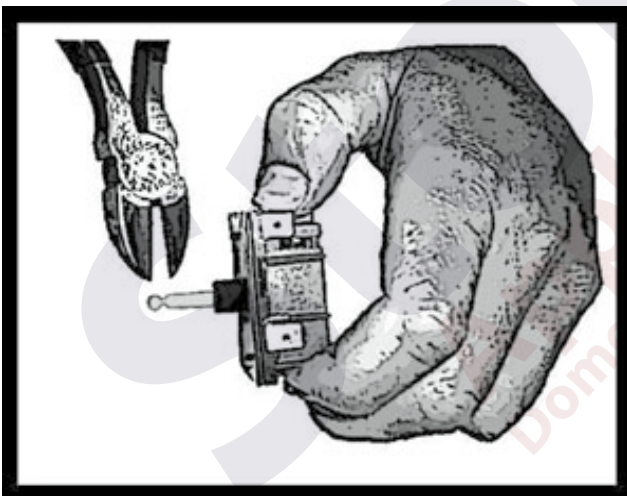
- T-Series and INFINITE Series are no longer available. Please use M-Series replacements as listed above.
- INF900, INFL, TL and TDL models are no longer available and have no possible replacements.
- Any T-Series or INF part numbers not listed above are no longer available and have no possible replacements.
- M-Series models can also replace Australian Controls Models KV and MH. Consult your local distributor for cross-reference details.
- M-Series part numbers not listed above require a direct replacement.
- All Universal Shaft models in the above table are supplied as **UniKits**. These include Neutral Lead, Instruction Sheet, Mounting Nut, Shaft Adaptors and Terminal Connectors. Solid Shaft models include Instruction Sheet and Mounting Nut. Instruction sheets include wiring information..

Important Notes on Energy Regulator Replacement

If the Energy Regulator being replaced has an earth wire attached to it, this earth wire may have been used to earth the panel it is mounted to. This M series control has no earth terminal requirement, but the panel may still need to be earthed. In this case the earth wire must be attached directly to the panel the control was mounted to.

Replacement of controls should only be carried out by a qualified electrician or service technician.

If the control in this kit has a square steel shaft the following instructions apply:

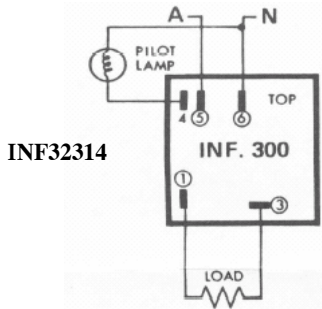


There are 3 standard shaft diameters, 3/16, 1/4 inch and 6mm. All are accounted for in this Kit. The square steel shaft with no adaptor fitted will replace 3/16 shafts. The adaptors depicted below fit over the shaft to convert it to 6mm or 1/4 inch.



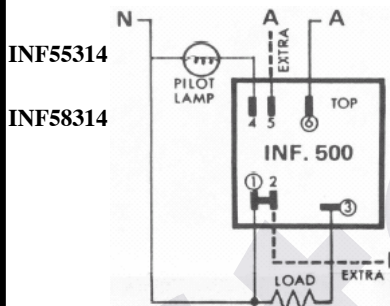
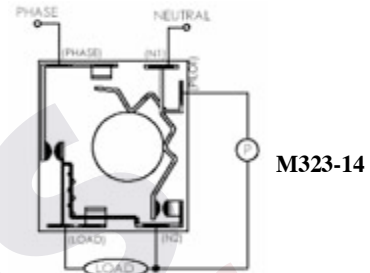
There are two standard shaft lengths, the older 1-inch and the current 22mm. Both are accounted for. The shaft is 1 inch long, if 22mm is required then cut the shaft at the notched position as shown in the diagram above for 22mm.

Wiring Diagrams (Includes Infinite Reference Guide)



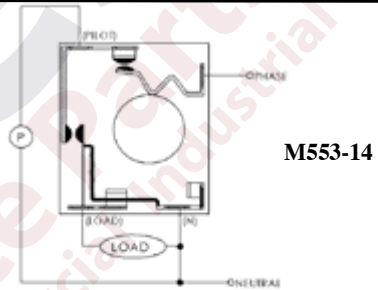
INF32314 to M323-14

- Terminal "1" equals "N"
- Terminal "3" equals "LOAD"
- Terminal "4" equals "PILOT"
- Terminal "5" equals "PHASE"
- Terminal "6" equals "N1"



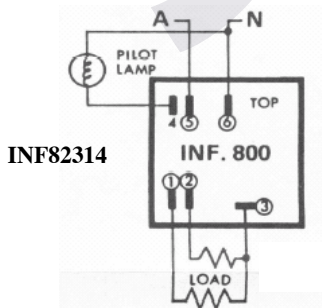
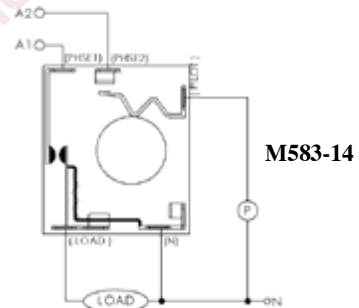
INF55314 to M55314

- Terminal "1" equals "N"
- Terminal "3" equals "LOAD"
- Terminal "4" equals "PILOT"
- Terminal "6" equals "PHASE"



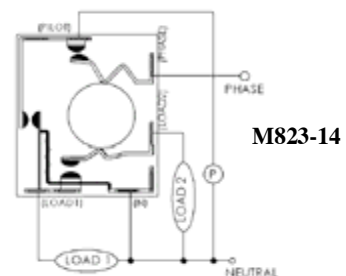
INF58314 to M58314

- Terminal "1" equals "N"
- Terminal "3" equals "LOAD"
- Terminal "4" equals "PILOT"
- Terminal "5" equals "PHSE2"
- Terminal "6" equals "PHSE1"

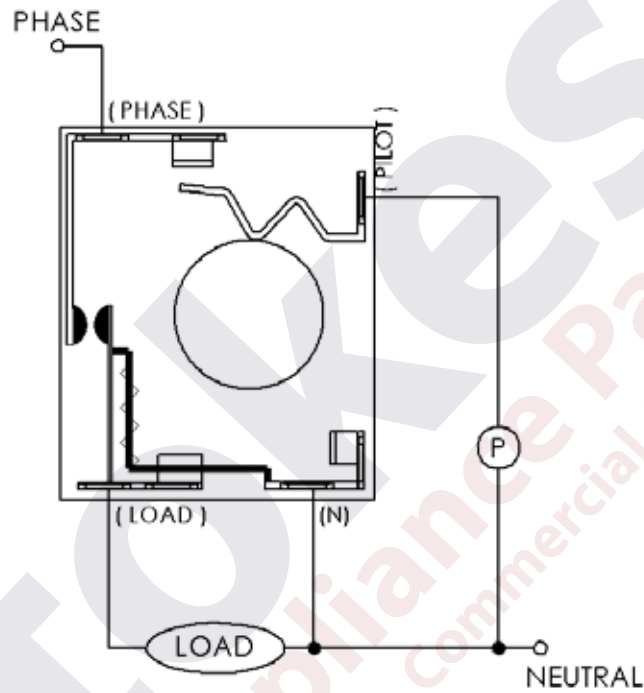


INF82314 to M82314

- Terminal "1" equals "LOAD1"
- Terminal "2" equals "LOAD2"
- Terminal "3" equals "N"
- Terminal "4" equals "PILOT"
- Terminal "5" equals "PHASE"
- Terminal "6" equals "N"

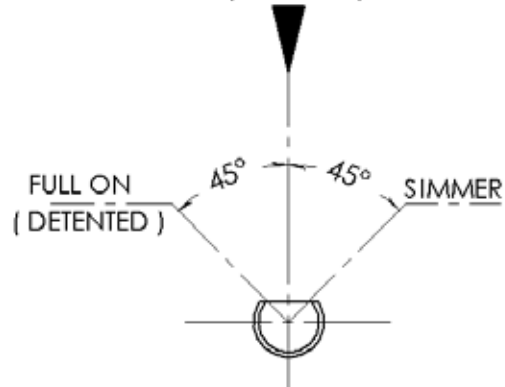


MP- 101 WIRING DIAGRAM



PANEL MARKINGS

DIALSHAFT SHOWN IN THE OFF POSITION
(DETENTED)



Thermostats

Robertshaw EA Series thermostats are used for both domestic and commercial cooking and heating to control an electric element. EA3 models are generally used for domestic ovens and come in a single contact version. The EA3 models are available as universal kits only. EA5 models are used for commercial cooking and heating applications, generally for cooking appliances, and are available as direct replacements. Following are some tables describing the models available and lists of thermostats that can be replaced by these models.

Robertshaw Replacement Thermostats

Part Number	Description	Specifications
EA17700K	Thermostat, Fryer, Single Contact, 95 - 205 deg C (310°.dial arc), 1/4" Diam X 20mm Shaft, 900mm Nickel Plated Capillary	0.2Amps 250VAC
EA3-447-08	Thermostat, Oven, Single Contact, 70 - 290 deg C (270°.dial arc), Universal Shaft 3/16", 6mm or 1/4" Diam, 2250mm Capillary	240VAC 30Amp
EA5-406-7	Thermostat, Oven, Single Contact, 70 - 290 deg C (310°.dial arc), 1/4" Diam X 20mm Shaft, 1800mm Capillary	240VAC 30Amp
EA5-497-2	Thermostat, Oven, Single Contact, 70 - 290 deg C (310°.dial arc), 1/4" Diam X 20mm Shaft, 2250mm Nickel Plated Capillary	240VAC 30Amp
EA5-607-0	Thermostat, Bain Marie, Single Contact, 15 - 120 deg C (310°.dial arc), 1/4" Diam X 20mm Shaft, 1800mm Nickel Plated Capillary	240VAC 30Amp
EA5-701-4	Thermostat, Fryer, Single Contact, 95 - 205 deg C (310°.dial arc), 1/4" Diam X 20mm Shaft, 900mm Nickel Plated Capillary	240VAC 30Amp

Robertshaw Thermostat Cross Reference

Use Part Number	In Place of Part Numbers
EA17700K	EA177007
EA3-447-08	EA33002, EA33010, EA33037, EA33045, EA33053, EA33061, EA3307A, EA33088, EA33096, EA33109, EA33117, EA33125, EA33133, EA33141, EA3315, EA3316, EA34005, EA34013, EA34021, EA3403A, EA34152, EA34160, EA34179, EA34187, EA34208, EA34216, EA34224, EA34232, EA34240, EA34259, EA34267, EA34275, EA34283, EA34291, EA34304, EA34312, EA34320, EA34339, EA34347, EA34355, EA34363, EA34371, EA34380, EA34398, EA34400, EA34419, EA34427, EA34435, EA34443, EA3446A, EA34486, EA34507, EA34523, EA34558, EA34574, EA34582, EA34611, EA34638, EA34654, EA34662, EA34670, EA34689, EA34697, EA34700, EA34718, EA34734, EA34742, EA3475A, EA34806, EA34822, EA34830, EA34478
EA5-406-7	EA54075, EA52037, EA54980, EA54067
EA5-497-2	EA54008, EA54016, EA54024, EA54032, EA54040, EA54059, EA54083, EA54091, EA54104, EA54112, EA54120, EA54139, EA54147, EA5415, EA54200, EA54243, EA54261, EA54278, EA54307, EA54462, EA54921, EA54930, EA54948, EA54956, EA59001, EA59046, EA59087, EA59095, EA59116, EA59124, EA54972

Robertshaw Thermostat Cross Reference (cont')

Use Part Number	In Place of Part Numbers
EA5-607-0	EA36000, EA36035, EA36043, EA36051, EA36060, EA36078, EA36086, EA36094, EA3610 , EA36123, EA36131, EA36158, EA36166, EA36174, EA36182, EA3619, EA36206, EA36502, EA56011, EA56020, EA56038, EA56062, EA56070, EA56100, EA56118, EA56142, EA56194, EA57153, EA58500, EA56070 FOR CONSIDERATION ONLY: EA55019, EA35008, EA35016, EA35024, EA35032, EA35040, EA35059, EA3506 , EA35075, EA35083, EA35091, EA55019, EA55027, EA55035, EA5506A, EA55116, EA55131, EA59052
EA5-701-4	EA37003, EA37046, EA37062, EA37070, EA37089, EA37097, EA57014, EA57022, EA57034, EA57040, EA57057, EA57129, EA57137, EA57145, EA57153, EA57161, EA57170, EA57188, EA57014

Notes

- EA Series part numbers not listed above are no longer available and have no possible replacements.
- EA3AD, EA3A, EA3B, EA3D, EA3CB, EA59, EA99, EB3 and B10 series are no longer available and have no replacements. EA3 can replace EB3 with wiring modification. (See Page 10 of this bulletin)
- EA3 models can also replace Australians Control Model G1. Consult your local distributor for cross-reference details.
- All Universal Shaft models in the above table are supplied as **UniKits**. These include Instruction Sheet, Mounting Screws or Nut and Shaft Adaptors. Solid Shaft models include Instruction Sheet and Mounting Nut. Instruction sheets include wiring and calibration information.

EA-SERIES THERMOSTAT CALIBRATION

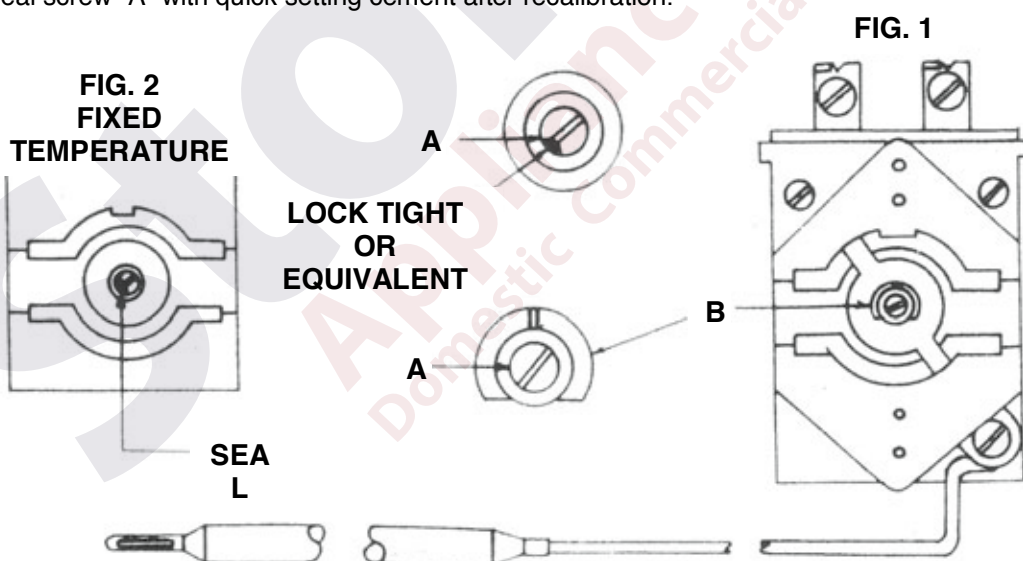
Each thermostat is calibrated at the factory, however if correction is necessary this procedure is to be followed.

FIG. 1 VARIABLE TEMPERATURE

- Use a potentiometer or a good grade thermometer to determine temperature at the location where temperature is required.
- Turn dial of thermostat to a medium temperature setting.
- Allow enough time for temperature to stabilise or until several temperature readings are identical.
- Remove dial from shaft "B".
- Turn screw "A" clockwise to decrease or counterclockwise to increase. (These instructions cover all temperature ranges. Examples of approximate values of ¼ turn of screw "A" for some temperature ranges are given below.)
- Replace dial and reset to original medium temperature setting of step 2.

FIG. 2 FIXED TEMPERATURE

- Follow procedure as outlined for Fig. 1 except omit steps 2, 4 & 6.
- Seal must be broken to turn screw "A".
- Reseal screw "A" with quick setting cement after recalibration.

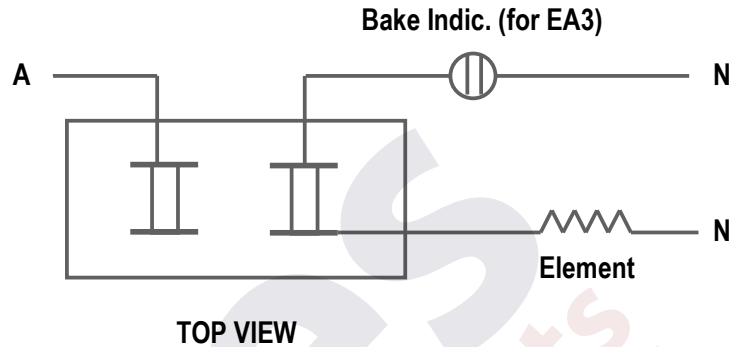
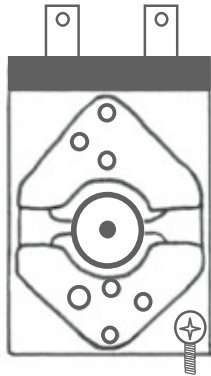


VALUE OF ¼ TURN OF SCREW "A"

TEMPERATURE RANGE	60°-290°C	90°-205°C	26°-205°C	30°-230°C	15°-120°C	10°-32°C	0°-45°C	120°-445°C
APPROX. TEMP CHANGE	19.5°C	10°C	6.7°C	19°C	9.5°C	3.3°C	5.6°C	19.5°C
TEMPERATURE RANGE	30°-60°C							
APPROX. TEMP CHANGE	5.5°C							

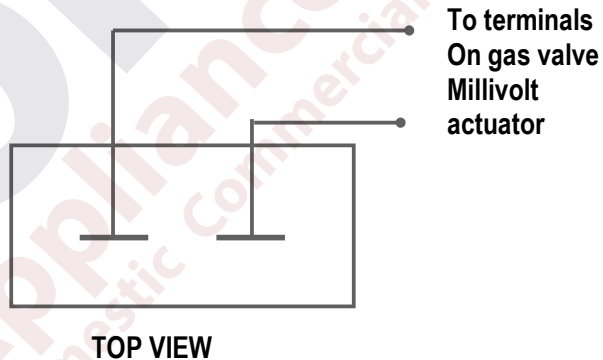
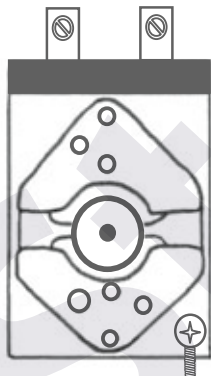
EA-SERIES THERMOSTAT WIRING

EA3 & EA5 MODELS



Note: EA3 has spade terminals as shown – EA5 has screw terminals

EA17 MODELS



WARNING:

- ALL WIRING OF THE THERMOSTAT SHALL CONFORM TO AS3100 AND IS TO BE INSTALLED BY A LICENSED ELECTRICIAN.
- ELECTRICALLY ISOLATE THERMOSTAT FROM MAIN SUPPLY BEFORE DISCONNECTING. FAILURE TO DO SO CAN RESULT IN AN ELECTRIC SHOCK.

AVAILABLE MODELS

Model	Temperature Range	Replaces
EA17700	95-205 degC	EA177007
EA3-447-08	70-290 degC	EA34478
EA5-406-7	70-290 degC	EA54067
EA5-497-2	70-290 degC	EA54972
EA5-607-0	15-120 degC	EA56070
EA5-701-4	95-205 degC	EA57014

Using an EA Thermostat to replace EB

Guidelines for qualified electricians

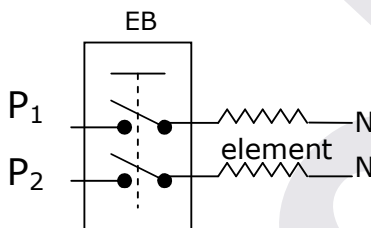
EB and EA5 are heating thermostats whose contacts open on temp rise.

Please match temperature range from the table

EB3 Series	EA Replacement	Temp Range
EB35257	EA5-497-2	70-290°C
EB35054	EA5-701-4	95-205°C
EB35070	EA5-607-0	15-120°C
DPST 20A 240VAC	SPST 30A 240VAC	

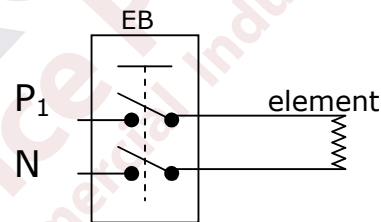
USE EA5W2010 FOR EXTRA POLE CONTACTOR/RELAY

A DPST The EB3 is used to switch 2 phases of 240V ac or 2 elements on 240V ac

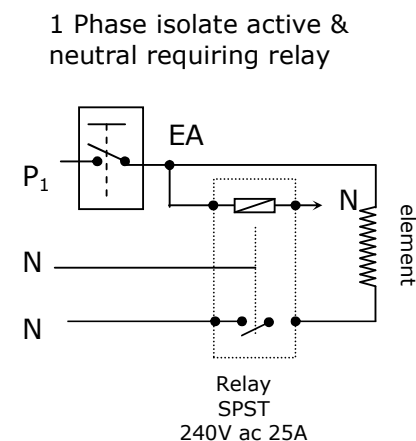
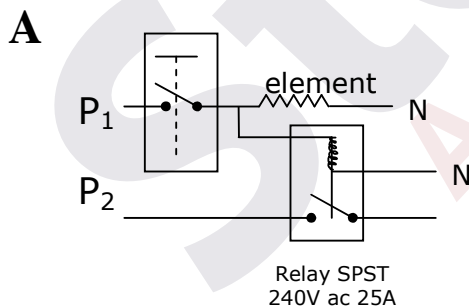


OR

B DPST on 1 Phase. The EB3 is used to isolate both the active and neutral links to element.

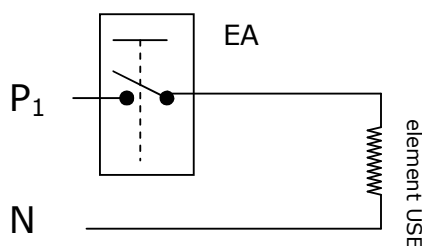


Suggested Wiring Circuits for Replacing EB with EA



USE EA5W2010 FOR EXTRA POLE CONTACTOR/RELAY

C 1 Phase switch only active without relay



USE EA5W2010 FOR EXTRA POLE CONTACTOR/RELAY

Note: Do not use the EA5 to drive the relay coil only. The load from the coil is so small that you will begin to get poor continuity at the contacts after a short period of operation.

Accessories

Accessories for Robertshaw Energy Regulators and Thermostats are still available for current models. These include dials, bezels, nut mounting kits and stuffing boxes. The following table summarises the available accessories.

Part Number	Description	Suitable Use
Dial Kits		
102K	Black Dial – LO – OFF – HI	M323-14, M553-14, M583-14, MS4-217
104K	Black Dial – LO – OFF – LO	M823-14
105K	Black Dial – Plane with White Dot	All M-Series and EA-Series
102K	Black Dial – 1 – 10	All EA-Series, M32314, M55314, M58314, MS4-217
P2638	Black Dial – 70 – 290 °C	EA3447, EA5406, EA5497
P2662	Black Dial – 15 – 120 °C	EA5607
P2670	Black Dial – 95 – 205 °C	EA17700, EA5701
P2793	Black Dial – 95 – 205 °C No Off	EA17700 (Gas Appliances)
Bezels		
9420-01	Bezel 55mm	All M-Series and EA-Series
Stuffing boxes		
5329	Stuffing Box 3/8" Kit	
Mounting Kits		
101	Palnut Adaptor Kit	All EA-Series

Stokes Appliance Parts (Head Office)

Unit 2, 170 Rooks Road, NUNAWADING ,VIC 3131, AUSTRALIA

Phone: 03 9872 7474 Fax: 03 9872 7444

E-mail: sales@stokesap.com.au

Introducing Robertshaw's range of water heating thermostats "ST" Hot Water Thermostats

This new design thermostat (Black Body) will be introduced to replace the discontinued range of "EWT" Thermostats (Grey Body). These ST type thermostats are more compact in size, responds quicker to temperature changes and still fits existing mounting clamps.

**** Important Note **** When fitting the new ST (black body) thermostats from the discontinued EWT (grey body) units, some changes to the wiring will be needed. The new ST thermostats do NOT have identical wiring to the EWT series. Refer to the new wiring diagrams below, also new diagrams will be in all packaging and available on request.



ST1201
50°-70°C (Drk Green Dial)



ST1205
60°-80°C (Pink Dial)



ST2201
50°-70°C (Drk Green Dial)



ST1002
50°-80°C (Drk Blue Dial)



ST1006
60°-90°C (Purple Dial)



ST1301
50° - 80° C (Red Dial)



ST2207
60° C (White Dial)



ST1208
70° C (Dark Green Dial)



Picture showing reverse side of the new ST thermostat and Bi-Metal disks

WARNING:

1. ALL WIRING OF THE THERMOSTAT SHALL CONFORM TO AS3100 & IS TO BE INSTALLED BY A LICENSED ELECTRICIAN.
2. ELECTRICALLY ISOLATE THERMOSTAT FROM MAINS SUPPLY BEFORE DISCONNECTING. FAILURE TO DO SO CAN RESULT IN AN ELECTRIC SHOCK

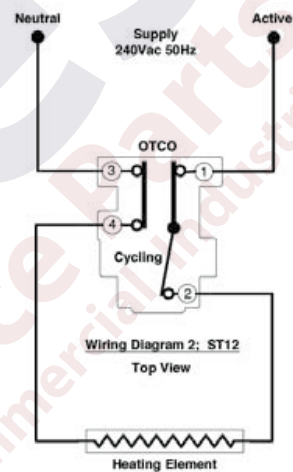
ST Series Water Heating Thermostats

Stokes Part No: ST1201

Surface Thermostat 50°C - 70°C



Dark Green Dial



ST1201

Replaces:

W1M2/70

EWT1L2-513

EWT1L2-513N

EWT1L2-513L

EWT1L2-540

EWT1L2-523

ST1204133

Stamped

ST1201133

Differential 4°-12°C



Old EWT series (Grey Body)

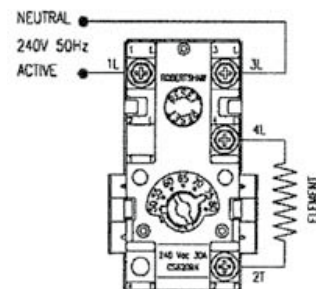


Fig.2 EWT1L2

Old EWT Wiring Diagram

WARNING:

1. ALL WIRING OF THE THERMOSTAT SHALL CONFORM TO AS3100 & IS TO BE INSTALLED BY A LICENSED ELECTRICIAN.
2. ELECTRICALLY ISOLATE THERMOSTAT FROM MAINS SUPPLY BEFORE DISCONNECTING. FAILURE TO DO SO CAN RESULT IN AN ELECTRIC SHOCK

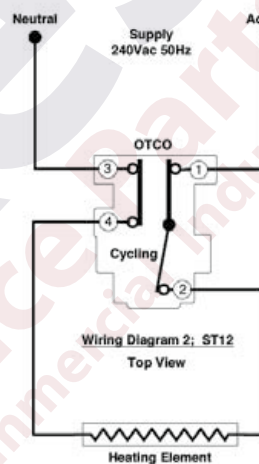
ST Series Water Heating Thermostats

Stokes Part No: ST1205

Surface Thermostat 60°C - 80°C (Bottom)



Pink Dial



ST1205

Replaces:

W1M2/80

EWT1L2-80KS

EWT1L2-501

EWT1L2-501N

EWT1L2-5018

Stamped

ST1205113

Differential 4°-12°C



Old EWT series (Grey Body)

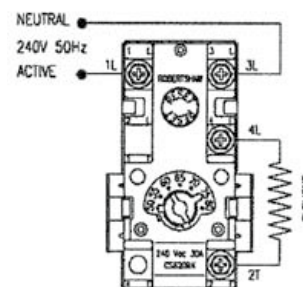


Fig.2 EWT1L2

Old EWT Wiring Diagram

WARNING:

1. ALL WIRING OF THE THERMOSTAT SHALL CONFORM TO AS3100 & IS TO BE INSTALLED BY A LICENSED ELECTRICIAN.
2. ELECTRICALLY ISOLATE THERMOSTAT FROM MAINS SUPPLY BEFORE DISCONNECTING. FAILURE TO DO SO CAN RESULT IN AN ELECTRIC SHOCK

ST Series Water Heating Thermostats

Stokes Part No: ST2201

Surface Thermostat 50°C - 70°C (Top)



Dark Green Dial

ST2201

Replaces:

W2M2

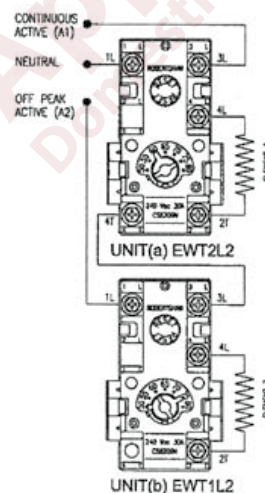
EWT2L2-80KS

EWT2L2-601

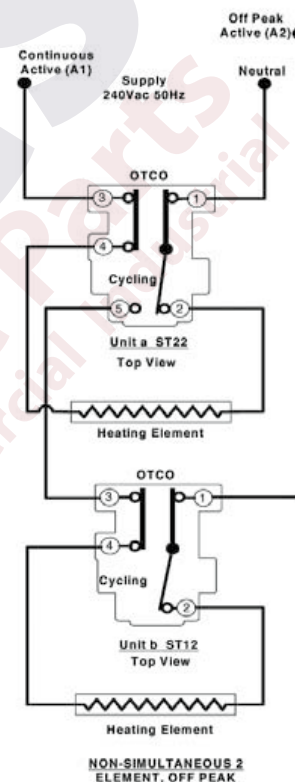
Stamped

ST2201133

Differential 4°-12°C



Old EWT Wiring Diagram



NON-SIMULTANEOUS 2 ELEMENT, OFF PEAK

Note ST22 to be connected in this configuration only and it's set temp shall be lower than ST12



Old EWT series (Grey Body)

WARNING:

1. ALL WIRING OF THE THERMOSTAT SHALL CONFORM TO AS3100 & IS TO BE INSTALLED BY A LICENSED ELECTRICIAN.
2. ELECTRICALLY ISOLATE THERMOSTAT FROM MAINS SUPPLY BEFORE DISCONNECTING. FAILURE TO DO SO CAN RESULT IN AN ELECTRIC SHOCK

ST Series Water Heating Thermostats

Stokes Part No: ST2207

Surface Thermostat 60°C (Fixed)

ST2207

Replaces

EWT2L2-602

EWT2L2-602N

EWT2L2-60

EWT2L2-60D

EWT2L2-60K

EWT2L2-60KE

EWT2L2-60KS

W2M2602

W2M26029

W2M26053K

W2M26053KE

W2M26053KS

051315

ST2207233



White Dial

Stokes Appliance Parts (Head Office)

Unit 2, 170 Rooks Road, NUNAWADING, VIC 3131, AUSTRALIA

Phone: 03 9872 7474 Fax: 03 9872 7444

E-mail: sales@stokesap.com.au

ST Series Water Heating Thermostats

Stokes Part No: ST1208
Surface Thermostat 70°C (Fixed)

ST1208

Replaces

ST1208133PK



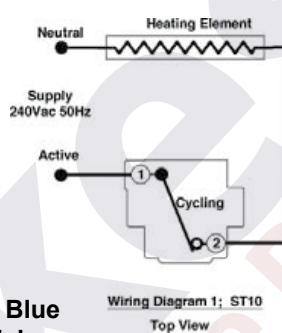
Dark Green Dial

ST Series Water Heating Thermostats

Stokes Part No: ST1002
Surface Thermostat 50°C - 80°C



Dark Blue Dial



ST1002

Replaces:

W1

EWT1-701KS

Stamped

ST1002130

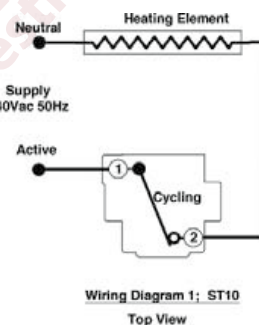
Differential 4°-12°C

ST Series Water Heating Thermostats

Stokes Part No: ST1006
Surface Thermostat 60°C - 90°C



Purple Dial



ST1006

Replaces:

W1/93

EWT1-703KS

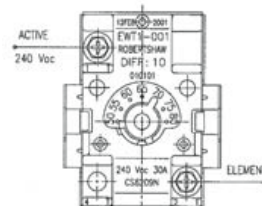
Stamped

ST1006130

Differential 4°-12°C

WARNING:

1. ALL WIRING OF THE THERMOSTAT SHALL CONFORM TO AS3100 & IS TO BE INSTALLED BY A LICENSED ELECTRICIAN.
2. ELECTRICALLY ISOLATE THERMOSTAT FROM MAINS SUPPLY BEFORE DISCONNECTING. FAILURE TO DO SO CAN RESULT IN AN ELECTRIC SHOCK



Old EWT series
Wiring Diagram



Old EWT series
(Grey Body)

ST Series Water Heating Thermostats

Stokes Part No: ST1301

Solar Water Heating Thermostat 50°C - 80°C

Auto ECO + Additional Safety design "One shot fuse"
Now used in the majority of new Solar hot water systems.

ST1301

Replaces

WIM200

EWT12S-200K

EWT1L2S-200

EWT1L2S-202

EWT1L2S-203

EWT1L2S-205

EWT1L2S-206

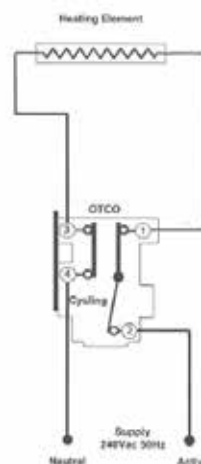
EWT1L2S-206W



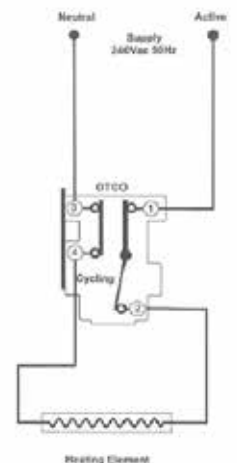
Red Dial

WARNING:

1. ALL WIRING OF THE THERMOSTAT SHALL CONFORM TO AS3100 & IS TO BE INSTALLED BY A LICENSED ELECTRICIAN.
2. ELECTRICALLY ISOLATE THERMOSTAT FROM MAINS SUPPLY BEFORE DISCONNECTING. FAILURE TO DO SO CAN RESULT IN AN ELECTRIC SHOCK



Wiring Diagrams ST13
Top View



Stokes Appliance Parts (Head Office)

Unit 2, 170 Rooks Road, NUNAWADING ,VIC 3131, AUSTRALIA

Phone: 03 9872 7474 Fax: 03 9872 7444

E-mail: sales@stokesap.com.au

ST Series Water Heating Thermostats

The Robertshaw ST Series Electric Water Heating Thermostats have replaced the EWT1, EWT1L2, EWT2L2, EWT1L2S, W1, W1M2, W2M2, SH and SA Series Thermostats. The models of controls available in the Aftermarket have been planned such that similar Robertshaw specifications are interchangeable. Additionally, where Off-Peak dual element controlled water heater thermostats require replacement, the ST can be mixed with EWT & WM Series.

IMPORTANT! You must fit the correct model thermostat . Refer to the guide below for the correct model replacement.

Cross-Reference Guide

Model	Replaces	Comments
ST10	Robertshaw-W1 & EWT1 Series	Thermostat only. No OTC Included
ST12	Robertshaw W1M2 & EWT1L2 Series	Thermostat & Manual Reset OTC. Used for mains pressure electric water heaters
ST22	Robertshaw W2M2 & EWT2L2 Series	Thermostat & Manual Reset OTC. Used for top element of dual element mains pressure electric water heaters
ST13	Robertshaw - EWT1L2S, SH & SA Series - Edward Energy - EWT1L2S-202 & SH202 - Solahart - EWT1L2S-203 & SA203 (may require adapter, available from Solahart) - Beasley - EWT1L2S-205 & SA203	Thermostat Cycling & One Shot OTC (no reset). Used on electric boosted solar water heaters.

Note: OTC = Over Temperature Cut -Out

Stokes Appliance Parts (Head Office)

Unit 2, 170 Rooks Road, NUNAWADING, VIC 3131, AUSTRALIA

Phone: 03 9872 7474 Fax: 03 9872 7444

E-mail: sales@stokesap.com.au

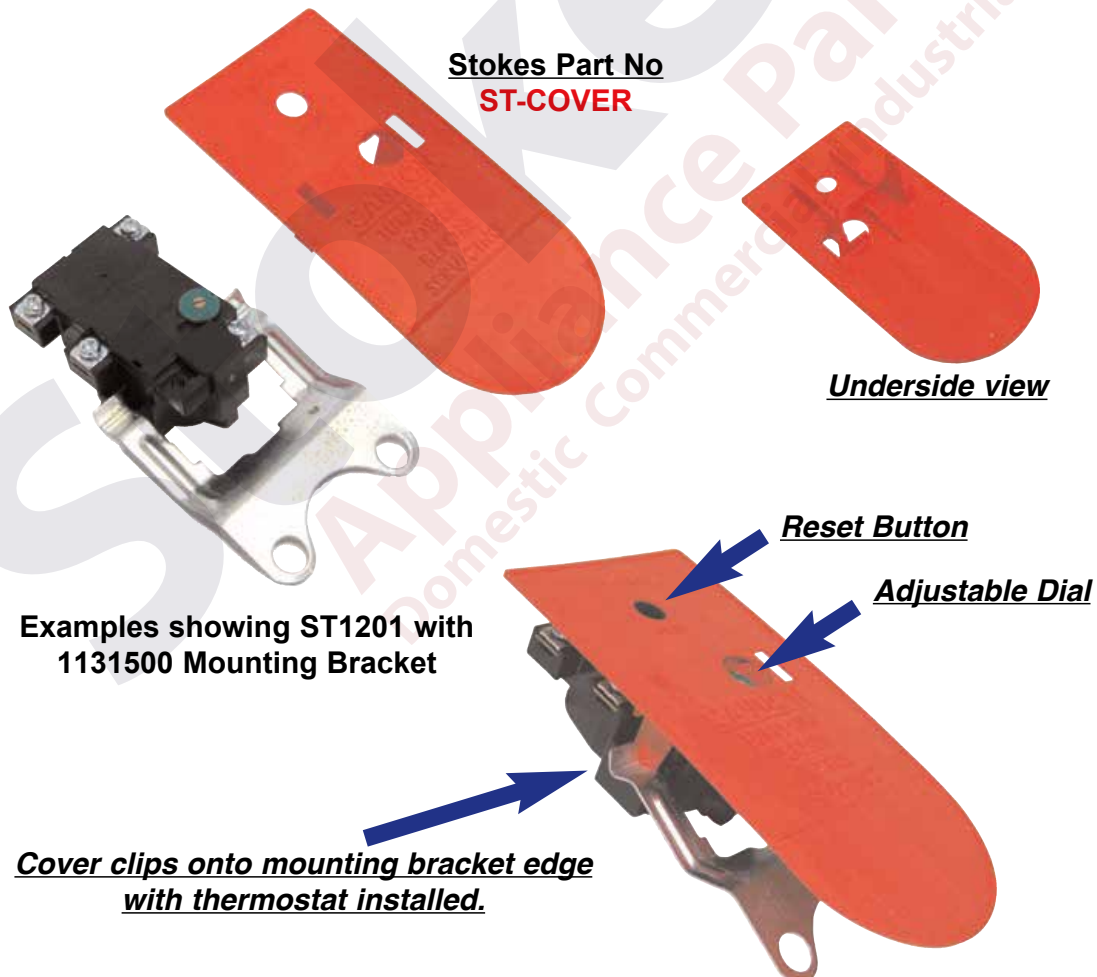
ST Series Water Heating Thermostats

Stokes Part No: ST-COVER

Protective Cover

suits ST type Thermostats

Clips onto inside edge of mounting bracket after Thermostat is installed.



WARNING:

1. ALL WIRING OF THE THERMOSTAT SHALL CONFORM TO AS3100 & IS TO BE INSTALLED BY A LICENSED ELECTRICIAN.
2. ELECTRICALLY ISOLATE THERMOSTAT FROM MAINS SUPPLY BEFORE DISCONNECTING. FAILURE TO DO SO CAN RESULT IN AN ELECTRIC SHOCK

Water Heating Thermostat Cross Reference Guide

WM Series	EWT Series	Manufacturer Print	Invensys Print	Manufacturer	Current ST OEM Model	Stokes Part Number
W17013	EWT1-701	No	EWT1-701	OEM	ST1002130	ST1002
W17013K	EWT1-701K	No	EWT1-701	AfterMarket Kit	ST1002130	ST1002
W17013KE	EWT1-701KE	No	EWT1-701	AfterMarket Kit	ST1002130	ST1002
W17013KS	EWT1-701KS	No	EWT1-701	Stokes Appliance Parts Kit	ST1002130	ST1002
W1703A	EWT1-703	No	EWT1-703	OEM	ST1006130	ST1006
W1703AK	EWT1-703K	No	EWT1-703	AfterMarket Kit	ST1006130	ST1006
W1703AKE	EWT1-703KE	No	EWT1-703	AfterMarket Kit	ST1006130	ST1006
W1703AKS	EWT1-703KS	No	EWT1-703	Stokes Appliance Parts Kit	ST1006130	ST1006
W1704	EWT1-704	No	EWT1-704	Rheem NZ		No Replacement
	EWT1-706	No	EWT1-706	Quickbar	ST1006130	ST1006
W1709	EWT1-709	No	EWT1-709	Beasley Industries	ST1002130	ST1002
W1711	EWT1-711	No	EWT1-711	Sachs		No Replacement
W1712	EWT1-712	No	EWT1-712	Export	ST1001130	ST1002
W1C-64	EWT1C-64	No	EWT1C-64	Export	ST1006130	ST1006
	EWT1-715	No	EWT1-715	Rheem NZ	ST1001130	ST1002
	EWT1-716	No	EWT1-716	Sachs	ST1002130	ST1002
W1M2501	EWT1L2-501	051314	EWT1L2-501	Rheem	ST1205113	ST1205
	EWT1L2-501N	051314	EWT1L2-501	Rheem	ST1205113	ST1205
W1M25018	EWT1L2-5018	No	EWT1L2-5018	OEM	ST1205113	ST1205
W1M25069						ST1205
W1M25069K	EWT1L2-80K	No	EWT1L2-5018	AfterMarket Kit	ST1205113	ST1205
W1M25069KE	EWT1L2-80KE	No	EWT1L2-5018	AfterMarket Kit	ST1205113	ST1205
W1M25069KS	EWT1L2-80KS	No	EWT1L2-5018	Stokes Appliance Parts Kit	ST1205113	ST1205
W1M2508	EWT1L2-508	051311	EWT1L2-508	Rheem	ST1203133	ST1201
W1M25085	EWT1L2-5085	No	EWT1L2-5085	OEM	ST1201133	ST1201
W1M25034						
W1M25034K	EWT1L2-70K	No	EWT1L2-5085	AfterMarket Kit	ST1201133	ST1201
W1M25034KE	EWT1L2-70KE	No	EWT1L2-5085	AfterMarket Kit	ST1201133	ST1201
W1M25034KS	EWT1L2-70KS	No	EWT1L2-5085	Stokes Appliance Parts Kit	ST1201133	ST1201
W1M2503	EWT1L2-503	051312	EWT1L2-503	Rheem	ST1204113	ST1205
W1M2513	EWT1L2-513	051313	EWT1L2-513	Rheem	ST1204113	ST1205
W1M25130	EWT1L2-513N	051313	EWT1L2-513	Rheem and Vulcan	ST1204113	ST1205
	EWT1L2-513K	No	EWT1L2-513K	OEM	ST1204113	ST1205
	EWT1L2-513W2L	051313	EWT1L2-513	Solahart	ST1204113	ST1205
W1M2516						No Replacement
W1M25165						No Replacement
W1M2518	EWT1L2-518	No	EWT1L2-518	OEM	ST1205134	ST1205
	EWT1L2-518D	dux0106	EWT1L2-518D	Dux	ST1205134	ST1205
W1M2518B1L	EWT1L2-518B1L	No	EWT1L2-518	Obsolete		ST1205
W1M2519	No EWT version			Obsolete		No Replacement
W1M2519K	No EWT version			Obsolete		No Replacement

Water Heating Thermostat Cross Reference Guide

W1M2520	EWT1L2-520	No	EWT1L2-520	Rheem NZ	ST1204113	ST1201
	EWT1L2-521	No	EWT1L2-521	Export	ST1205134	ST1201
W1M2522	EWT1L2-522	052806	EWT1L2-522	Rheem		No Replacement
W1M2522N	EWT1L2-522N	052806	EWT1L2-522	Rheem		No Replacement
	EWT1L2-522K	No	EWT1L2-522K	AfterMarket Kit		No Replacement
W1M2523	EWT1L2-523	dux0461	EWT1L2-523	Dux	ST1204133	ST1201
	EWT1L2-523B1L	dux0463	EWT1L2-523B	Dux	ST1204133	ST1201
	EWT1L2-523N	dua0108	EWT1L2-523N	Dux	ST1204133	ST1201
	EWT1L2-529	No	EWT1L2-529	New Zealand		No Replacement
	EWT1L2-530	SK 530	EWT1L2-530	Shuaikang Group	ST1204113	ST1201
	EWT1L2-535	051346	EWT1L2-535	Hotstream China - Rheem	ST1201133	ST1201
	EWT1L2-538	No	EWT1L2-538	Aquamax	ST1204113	ST1201
	EWT1L2-540	051350	EWT1L2-540	Rheem	ST1203133	ST1201
	EWT1L2-540N	051350	EWT1L2-540N	Rheem	ST1203133	ST1201
	EWT1L2-540NZ	051350	EWT1L2-540NZ	Rheem NZ	ST1203133	ST1201
	EWT1L2-543	051354	EWT1L2-543	Rheem	ST1204133R	Refer to OEM
	EWT1L2-543N	051354	EWT1L2-543N	Rheem	ST1204133R	Refer to OEM
	EWT1L2-543NZ	051354	EWT1L2-543NZ	Rheem NZ	ST1204133R	Refer to OEM
W2M2602	EWT2L2-602	dux0111	EWT2L2-602	Dux 50L Titan	ST1207154	ST1201
W2M2602	EWT2L2-602N	051315	EWT2L2-602	Rheem	ST2207233	ST2207
W2M26029	EWT2L2-60	051315	EWT2L2-602	Rheem	ST2207233	ST2207
	EWT2L2-60D	No	EWT2L2-60	OEM	ST2207233	ST2207
W2M26053K	EWT2L2-60K	dux0107	EWT2L2-60D	Dux	ST2207233	ST2207
W2M26053KE	EWT2L2-60KE	No	EWT2L2-60	AfterMarket Kit	ST2207233	ST2207
W2M26053KS	EWT2L2-60KS	No	EWT2L2-60	AfterMarket Kit	ST2207233	ST2207
W2M2601	EWT2L2-601	No	EWT2L2-60	Stokes Appliance Parts Kit	ST2207233	ST2207
W2M26010K	EWT2L2-80K	No	EWT2L2-601	OEM	ST2201133	ST2201
W2M26010KE	EWT2L2-80KE	No	EWT2L2-601	AfterMarket Kit	ST2201133	ST2201
W2M26010KS	EWT2L2-80KS	No	EWT2L2-601	AfterMarket Kit	ST2201133	ST2201
	EWT2L2-603	No	EWT2L2-603	Stokes Appliance Parts Kit	ST2201133	ST2201
	EWT2L2-620	311077	EWT2L2-603	Tsai Shian International	ST2201133	ST2201
SH202	EWT1L2S-200K	No	EWT2L2-620	Rheem NZ	ST2207233	ST2207
SA203	EWT1L2S-202	No	EWT1L2S-200	AfterMarket Kit	ST1301133	ST1301
	EWT1L2S-203	No	EWT1L2S-202	Edwards	ST1301133	ST1301
	EWT1L2S-205	No	EWT1L2S-203	Solahart/Rheem	ST1301133	ST1301
	EWT1L2S-206	No	EWT1L2S-205	Beasley Industries	ST1301133	ST1301
	EWT1L2S-206W	No	EWT1L2S-206	OEM	ST1301133	ST1301
	EWT2L2S-801	No	EWT1L2S-206	AfterMarket Kit	ST1301133	ST1301
	EWT2L2S-806	No	EWT2L2S-801	OEM	ST2307233	Refer to OEM
	EWT0L2-301	No	EWT2L2S-806	Dux	ST2307233	Refer to OEM
	EWT1A1-204	No	EWT0L2-301	OEM	ST0200033	Refer to OEM
			EWT1A1-204	Rheem NZ		No Replacement



Now there is an easy way to select a digital controller !!

Heating/Cooling or Refrigeration ?

Heating / Cooling Temperature Controls can be separated into two specific specifications.

Low Temperature Control for Heating/Cooling 0 to 100°C

Stokes IC902AC240 (240VAC Power Supply (includes probe)

Stokes IC902ACDC12 (12-24 V AC/DC Power Supply (includes probe)



High Temperature Control for Heating/Cooling up to 600°C

Stokes IC915AC240 (240VAC Power Supply (includes probe)

Stokes IC915ACDC12 (12-24 V AC/DC Power Supply (includes probe)



Refrigeration Controls can be separated into two specific specifications.

Medium Temperature Control for Cool-rooms -50 to 110oC

Stokes ID961AC240 (240VAC Power Supply (includes probe)

Stokes ID961ACDC12 (12V DC Power Supply (includes probe)



Low Temperature Control for Freezers at around -18 °C to -2 °C.

Stokes ID974AC240 (240VAC Power Supply (includes 2 probes)

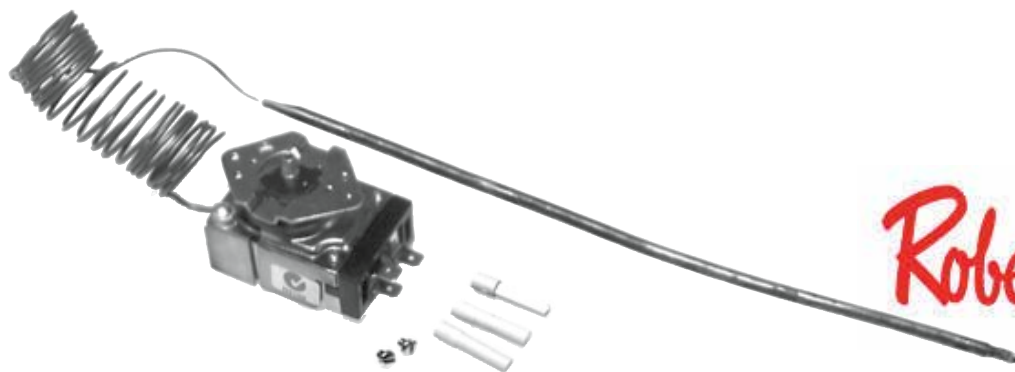
Stokes ID974ACDC12 (12V DC Power Supply (includes 2 probes)

Low Temperature Systems will normally have a probe to measure Cabinet Temperature and a second probe to measure Evaporator Temperature for both Time/Temperature Defrost



(Probes available separately)

Since 1980 Eliwell has supplied the Industry worldwide with quality Temperature Controllers based on the pioneering 32 X 74mm Front Panel format. Eliwell has developed these Controllers for common applications requiring control of heating and cooling.



Thermostats & Controls Product Review



This publication must not be reproduced, copied or transmitted in any form without written permission of Stokes Appliance Pty Ltd.

Disclaimer: Whilst every effort has been made to ensure that the information herein is correct, Stokes Appliances Pty Ltd accepts no liability of any kind in respect to the contents of this publication. Due to continual product development, products and specifications are subject to review without notice.

Stokes Appliance Parts (Head Office)

Unit 2, 170 Rooks Road, NUNAWADING, VIC 3131, AUSTRALIA

Phone: 03 9872 7474 Fax: 03 9872 7444

E-mail: sales@stokesap.com.au