



ITALIAN MADE

# 4N1 AMBIENT

Instant filtered boiling & ambient water, plus regular hot and cold water available from a single multifunctional tap.



The Multitap™ 4N1 Ambient dispenses boiling water for instant hot drinks and helping with countless kitchen tasks. Its innovative illuminated touch button control also gives you instant filtered ambient drinking water. Perfect for reducing the need for bottled water or cumbersome water jugs.

## FEATURES

- Single multifunctional tap design
- Designed & manufactured in Italy
- Instant filtered ambient water
- Instant filtered boiling water
- Regular mains hot & cold water
- 2 modern tap designs – J Shape and L Shape
- Innovative, illuminated touch button control releases ambient water
- Available in 2 finishes chrome & brushed steel
- Auto-lock, multi-step boiling water lever
- Swivel spout
- 5 year tap warranty & 2 year tank warranty



All of our Multitap products are protected by a push lock safety lever.

# 4N1 AMBIENT L SERIES



Pictured in Brushed Steel finish



## FUNCTIONALITY



### Filtered Boiling Water

Adjustable temperature  
from 88°C to 98°C



### Filtered Ambient Water

Filtered water ready  
to drink



### Regular Hot & Cold Water

Mains hot & cold water from a high quality, Italian designed  
kitchen mixer

## AVAILABLE FINISHES



C

Chrome



BR

Brushed Steel

# 4N1 AMBIENT J SERIES



Pictured in Chrome finish



## FUNCTIONALITY



### Filtered Boiling Water

Adjustable temperature from 88°C to 98°C



### Filtered Ambient Water

Filtered water ready to drink



### Regular Hot & Cold Water

Mains hot & cold water from a high quality, Italian designed kitchen mixer

## AVAILABLE FINISHES



C

Chrome



BR

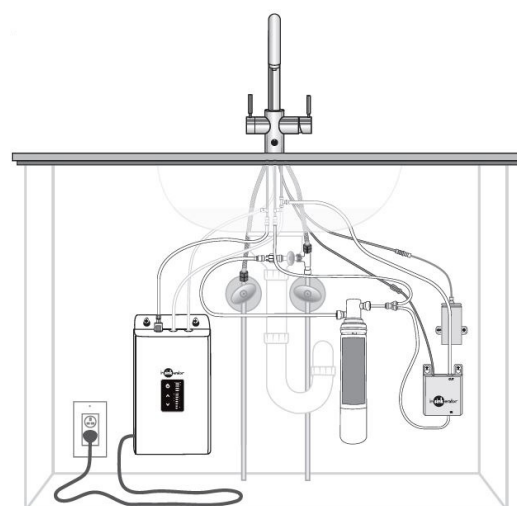
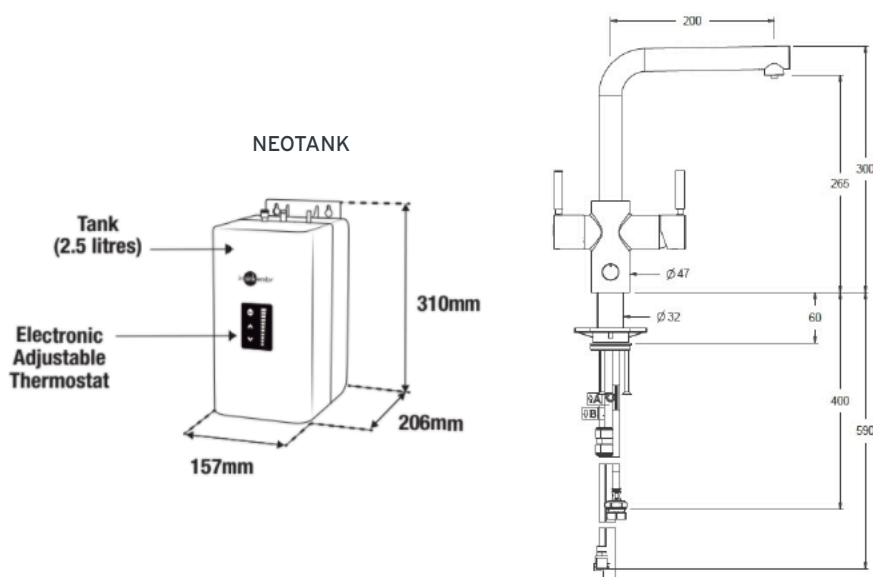
Brushed Steel

# MULTITAP™ 4N1 AMBIENT

## L SERIES SPECIFICATION SHEET

|                                 |   |
|---------------------------------|---|
| Tap                             | InSinkEerator Multitap 4N1 L Series     |
| Product Code                    | Chrome - 4004LCA / Brushed - 4004LBRA   |
| Water Supply                    | Hot & Cold mains supply                 |
| Required Supply Pressure (cold) | 172 - 862 kPa (1.7-8.6 bar) 25-125 psi) |
| Required Supply Pressure (hot)  | 50xPa (0.5 bar) (7psi)                  |
| Required Hole Diameter          | 35 - 38mm                               |
| Power Supply                    | 1 x 10amp GPO                           |
| NeoTank Capacity                | 2.5L Stainless steel tank               |
| NeoTank Dimensions              | 310 x 206 x 157mm                       |
| Warranty                        | 5 Years (tap) / 2 Years (tank)          |
| WELS Rating                     | 5 Stars                                 |
| WaterMark Certified             | Yes                                     |

## TECHNICAL DRAWINGS



For full installation details,  
please visit [www.insinkerator.com.au](http://www.insinkerator.com.au)

# MULTITAP™ 4N1 AMBIENT

## J SERIES SPECIFICATION SHEET

|                                 |   |
|---------------------------------|---|
| Tap                             | InSinkEerator Multitap 4N1 J Series     |
| Product Code                    | Chrome - 4004JCA / Brushed - 4004JBRA   |
| Water Supply                    | Hot & Cold mains supply                 |
| Required Supply Pressure (cold) | 172 - 862 kPa (1.7-8.6 bar) 25-125 psi) |
| Required Supply Pressure (hot)  | 50xPa (0.5 bar) (7psi)                  |
| Required Hole Diameter          | 35 - 38mm                               |
| Power Supply                    | 1 x 10amp GPO                           |
| NeoTank Capacity                | 2.5L Stainless steel tank               |
| NeoTank Dimensions              | 310 x 206 x 157mm                       |
| Warranty                        | 5 Years (tap) / 2 Years (tank)          |
| WELS Rating                     | 5 Stars                                 |
| WaterMark Certified             | Yes                                     |

## TECHNICAL DRAWINGS

