



Keeping food  
waste out of  
landfill since 1938

PRODUCT SPEC SHEET

# E75 Food Waste Disposer



The premium range of  
food waste disposers



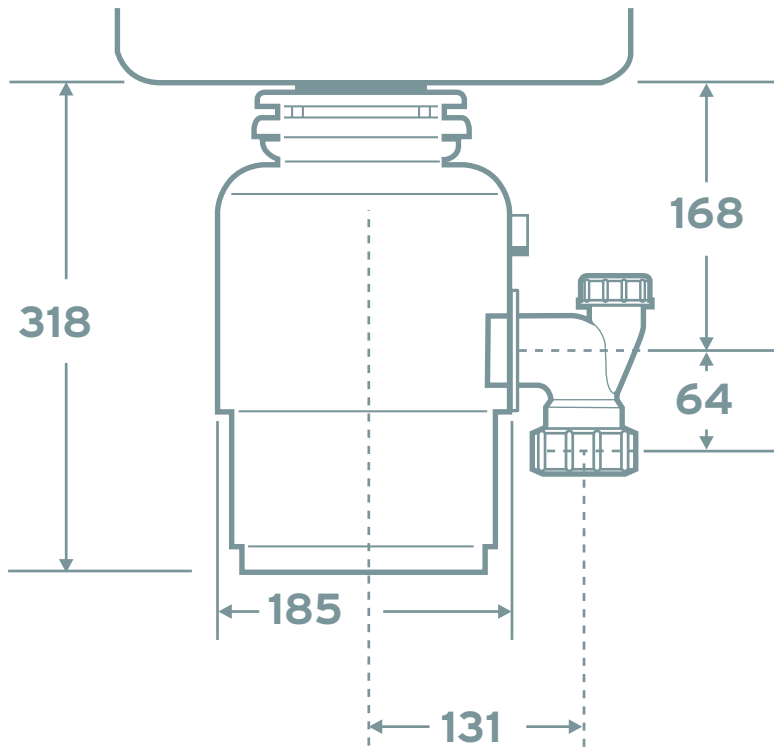
The E75 food waste disposer features a black and silver trim shell with a premium stainless steel sink stopper with a cover. It has a compact, space saving design. Supplied with three air switch buttons in chrome, matte black and brushed steel to integrate with modern finishes in your kitchen and is supported by a 5 year full in-home replacement warranty.



## FEATURES

- Supplied with three air switch buttons - chrome, matte black and brushed steel
- 5 year full in-home replacement warranty
- New style trim shell
- Removable sound baffle
- Stainless steel grind elements
- Low water usage
- Continuous feed
- Powerful induction motor
- Overload protection
- Quick Lock® mounting assembly for faster, easier installation
- Cast lugs

**DIMENSIONS (mm)**



**SPECIFICATIONS**

Type of feed	Continuous
On/Off Control	Wall switch or built-in air switch
Motor	Single phase
Reversing	None
Time Rating	Intermittent
Lubrication	Permanently lubricated upper & lower bearings
Shipping Weight (Approx.)	8.2kg
Unit Finish	Black
Overall Height	318mm
Grind Technology	1-stage grind technology
Grind Chamber Capacity	980ml
Motor Protection	Manual reset overload
Average Water Usage	Approximately 1% of household water consumption
Average Electrical Usage	3-4KWH per annum, equal to approximately \$3.50 per annum
Drain Connection	Yes
Dishwasher Drain Connection	No



The air switch button is available in three colour choices.

Premium stainless steel stopper with cover.

Volts/Hz	HP	Average load
220-240V, 50-60Hz	.75 (@240V/50Hz)	405 W

InSinkEerator Australia  
471 Mountain Highway,  
Bayswater VIC 3153, Australia  
Sales/Service Tel: 1300 136 205  
Sales/Service Fax: (03) 9720 3178

[www.insinkerator.com.au](http://www.insinkerator.com.au)



The Emerson logo is a trademark and service mark of Emerson Electric Co.  
InSinkEerator reserves the right to change product specifications without prior notice.  
All products are for household use: usage in commercial situations is not covered by warranty.  
InSinkEerator is a division of Emerson Electric Co.