

Leva 150mm Basin Set with SPC001 Fixed Aerated Spout

LEV150306

The Leva range combines outstanding quality with functional, beautiful design. Ideal for Hospital and Aged Care applications providing the benefits of easier reach and control. The 150mm lever allows hands-free elbow operation suitable for sterile environments where hygiene is critical.

FEATURES

- Ergonomic sleek design
- Robust construction for superior performance
- Unique handle fixing delivers superior strength and durability
- Concealed pressure compensating flow controlled aerator for a clean look and water efficiency
- Clear identification on all lever handles with blue, yellow or red coloured indicator collars
- WELS 3 Star (7.7 lpm) water efficiency rating supplied as standard. Also available in 5 Star (5.9 lpm) and 6 Star (3.6 lpm) ratings

OPTIONS

- Ceramic disc or non-rising jumper valve
- Bright chrome standard; satin chrome or colour powder coat finishes available on request
- A variety of spout sizes and shapes available
- Laminar flow - suited to healthcare application

Product Code

LEV150306 ¼ Turn Ceramic Disc

LJV150306 ¼ Turn Jumper Valve



Technical Information

Working Pressure Range Ceramic Disc	50-800kPa 500kPa Max (PCA)*
Working Pressure Range Jumper Valve	30-1200kPa 500kPa Max (PCA)*
Maximum Working Temperature*	Ceramic Disc - 85°C Jumper Valve - 95°C

*Enware products are to be installed in accordance with the Plumbing Code of Australia and AS/NZS3500.

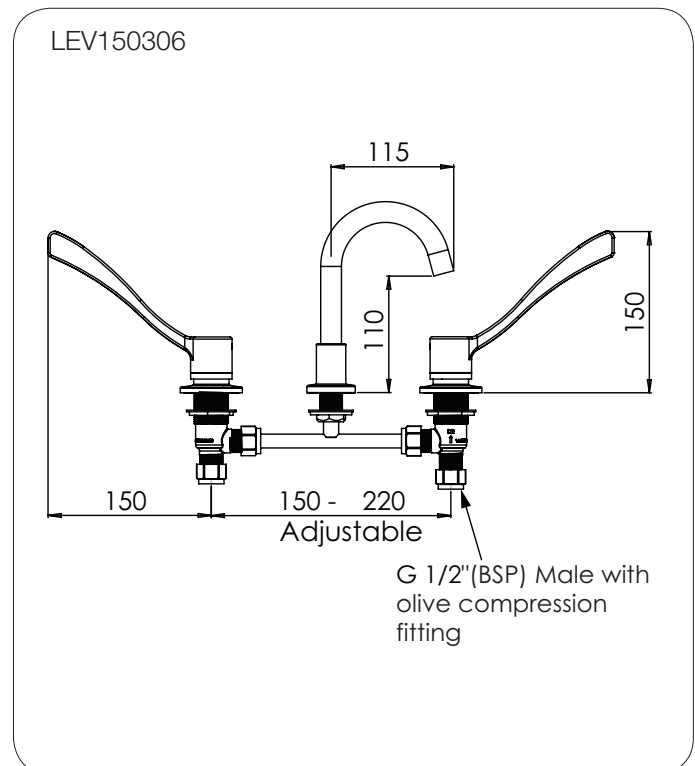
AS/NZS 3500.4 Heated Water Services:

All heated water installations for sanitary fixtures used primarily for personal hygiene purposes shall deliver heated water at a temperature not exceeding:

- 45°C for healthcare and aged care buildings, early childhood centres, primary and secondary schools and nursing homes, or similar facilities for the aged, the sick, children or people with disabilities; and
- 50°C for all other situations (Laundries and kitchen sinks are not required to have heated water at a maximum of 50°C)

NOTE: Enware Australia advises:

- Due to ongoing Research and Development, specifications may change without notice.
- Component specifications may change on some export models.



Version: Feb 17

Call 1300 369 273
www.enware.com.au

Enware Australia Pty Limited
9 Endeavour Rd Caringbah NSW 2229 Australia
Ph: 02 8536 4000 Fax: 02 8556 4055

ENWARE
installing confidence