

# MIRO 1200DM

## LED MIRROR

PRODUCT CODE

M120DM

### SPECIFICATIONS

WIDTH	1200mm
HEIGHT	700mm
DEPTH	50mm
WEIGHT	19kg

### FEATURES

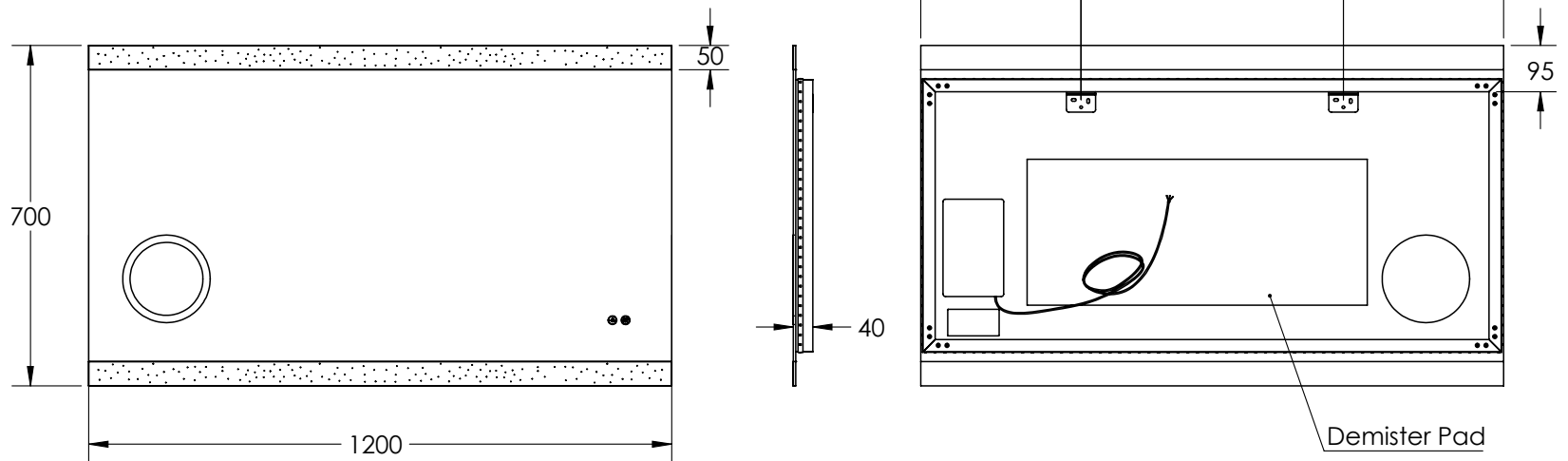
Copper Free Mirror
LED Lighting (Adjustable Colour Temperature)
Backlit
Touch Sensor
Demister with 1 Hour Auto Cut-off
3x Magnifier

### LIGHTING SPECIFICATIONS

CCT	2700K - 6500K
CRI	>80

### INSTALLATION

Wall mount
Hardwire
Input voltage: 220-240v 50Hz



Disclaimer: All LED Products requiring hardwiring must be installed by a licensed electrician in accordance with local regulations. Sizes are in mm and nominal and should be checked prior to installation. Actual colours may vary so please check colour samples before ordering. Installation is acceptance of our products. Installation of faulty, warped, chipped or damaged products will void our warranty.