

MIRO 1800D

PRODUCT CODE
M180D

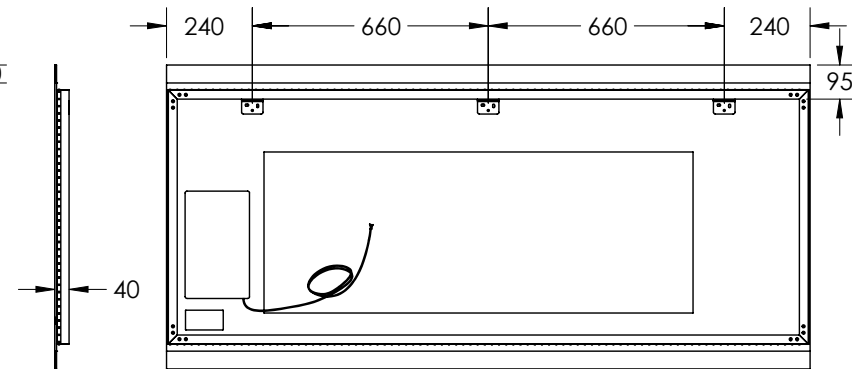
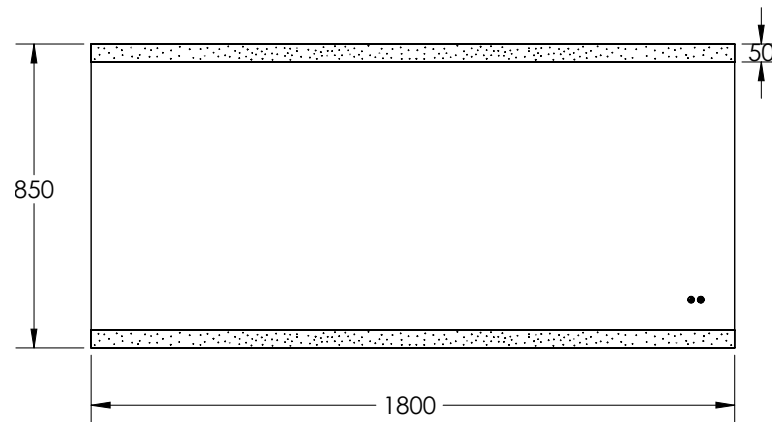
LED MIRROR

SPECIFICATIONS	
WIDTH	1800mm
HEIGHT	850mm
DEPTH	59mm
WEIGHT	22kg
ORIENTATION	Landscape

FEATURES
Copper Free Mirror
LED Lighting (Adjustable Colour Temperature)
Touch Sensor
Demister with 1 Hour Auto Cut-off

LIGHTING SPECIFICATIONS	
CCT	2700K - 6500K
CRI	>80

INSTALLATION	
Wall mount	
Hardwire	
Input voltage: 220-240v 50Hz	



Disclaimer: All LED Products requiring hardwiring must be installed by a licensed electrician in accordance with local regulations. Sizes are in mm and nominal and should be checked prior to installation. Actual colours may vary so please check colour samples before ordering. Installation is acceptance of our products. Installation of faulty, warped, chipped or damaged products will void our warranty.

MIRO 1800D

PRODUCT CODE
M180D

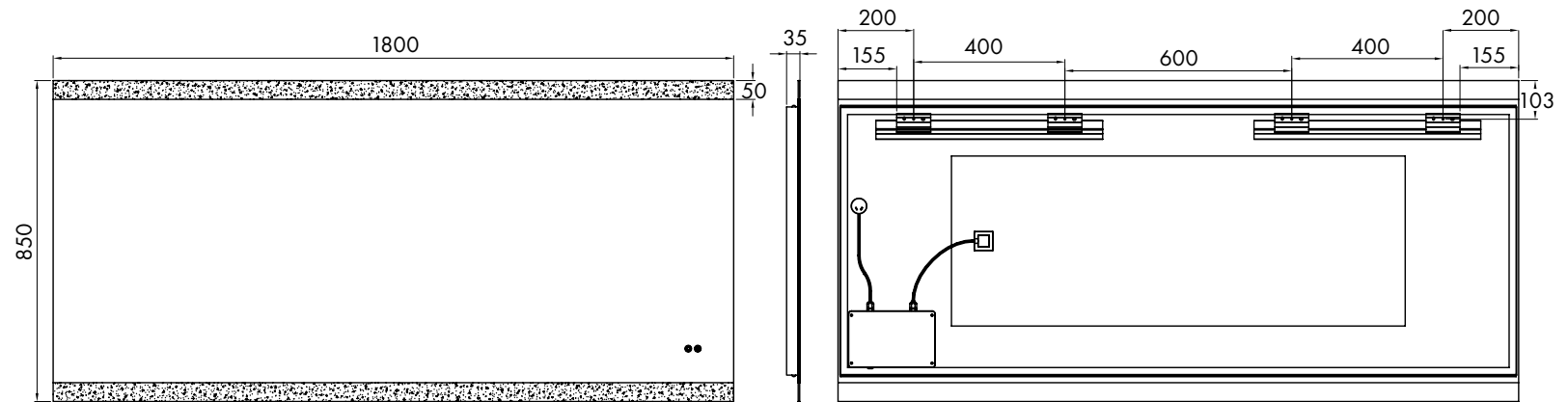
LED MIRROR

SPECIFICATIONS	
WIDTH	1800mm
HEIGHT	850mm
DEPTH	35mm
WEIGHT	22kg
ORIENTATION	Landscape

FEATURES	
Copper Free Mirror	
LED Lighting (Adjustable Colour Temperature)	
Touch Sensor	
Demister with 1 Hour Auto Cut-off	

LIGHTING SPECIFICATIONS	
CCT	2700K - 6500K
CRI	>80

INSTALLATION	
Wall mount	
Hardwire / Plug	
Input voltage: 220-240v 50Hz	



Disclaimer: All LED Products requiring hardwiring must be installed by a licensed electrician in accordance with local regulations. Sizes are in mm and nominal and should be checked prior to installation. Actual colours may vary so please check colour samples before ordering. Installation is acceptance of our products. Installation of faulty, warped, chipped or damaged products will void our warranty.