

MIRO 1800DB

PRODUCT CODE
M180DB

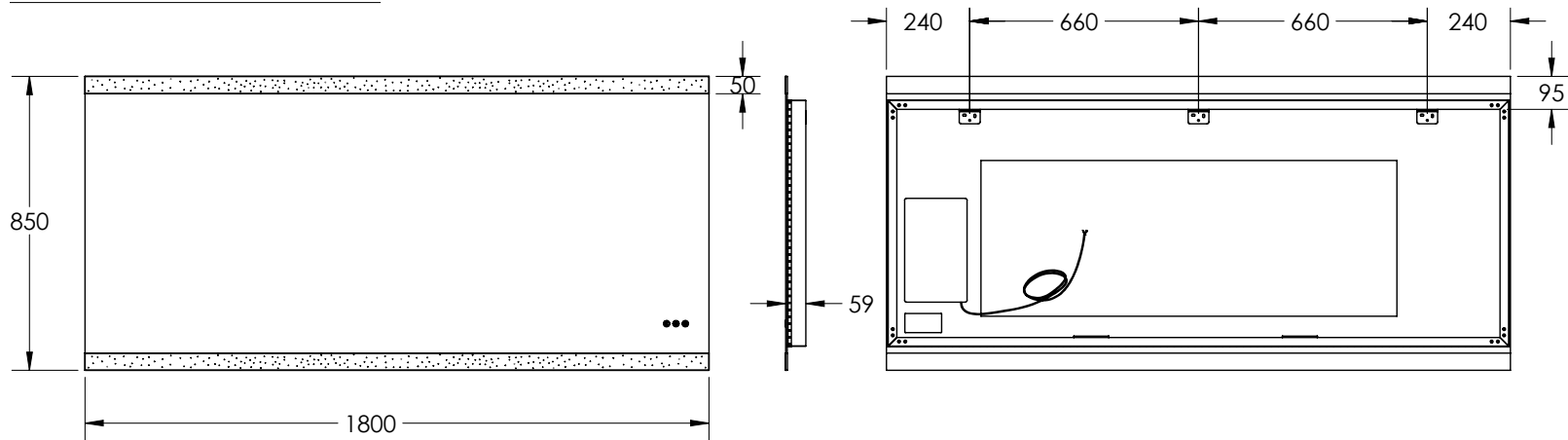
LED MIRROR

SPECIFICATIONS	
WIDTH	1800mm
HEIGHT	850mm
DEPTH	59mm
WEIGHT	22kg
ORIENTATION	Landscape

FEATURES	
Copper Free Mirror	
LED Lighting (Adjustable Colour Temperature)	
Touch Sensor	
Demister with 1 Hour Auto Cut-off	
Bluetooth Speakers	

LIGHTING SPECIFICATIONS	
CCT	2700K - 6500K
CRI	>80

INSTALLATION	
Wall mount	
Hardwire	
Input voltage: 220-240v 50Hz	



Disclaimer: All LED Products requiring hardwiring must be installed by a licensed electrician in accordance with local regulations. Sizes are in mm and nominal and should be checked prior to installation. Actual colours may vary so please check colour samples before ordering. Installation is acceptance of our products. Installation of faulty, warped, chipped or damaged products will void our warranty.

MIRO 1800DB

PRODUCT CODE
M180DB

LED MIRROR

SPECIFICATIONS

WIDTH	1800mm
HEIGHT	850mm
DEPTH	43mm
WEIGHT	22kg
ORIENTATION	Landscape

FEATURES

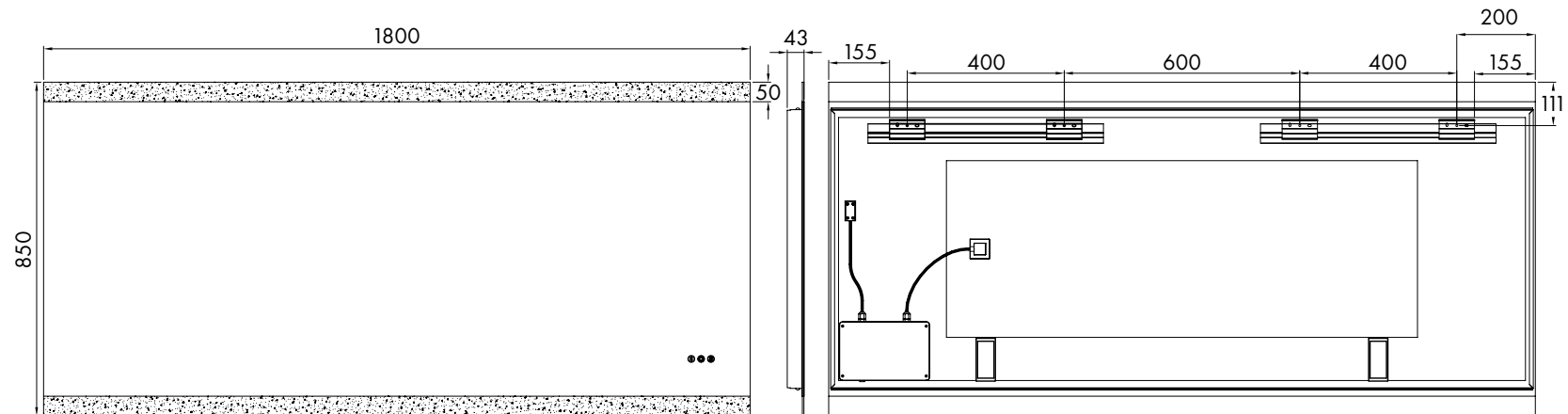
Copper Free Mirror
LED Lighting (Adjustable Colour Temperature)
Touch Sensor
Demister with 1 Hour Auto Cut-off
Bluetooth Speakers

LIGHTING SPECIFICATIONS

CCT	2700K - 6500K
CRI	>80

INSTALLATION

Wall mount
Hardwire / Plug
Input voltage: 220-240v 50Hz



Disclaimer: All LED Products requiring hardwiring must be installed by a licensed electrician in accordance with local regulations. Sizes are in mm and nominal and should be checked prior to installation. Actual colours may vary so please check colour samples before ordering. Installation is acceptance of our products. Installation of faulty, warped, chipped or damaged products will void our warranty.