

# MIRO 750DB

**PRODUCT CODE**  
M75DB

## LED MIRROR

### SPECIFICATIONS

WIDTH	750mm
HEIGHT	900mm
DEPTH	59mm
WEIGHT	15kg
ORIENTATION	Landscape

### LIGHTING SPECIFICATIONS

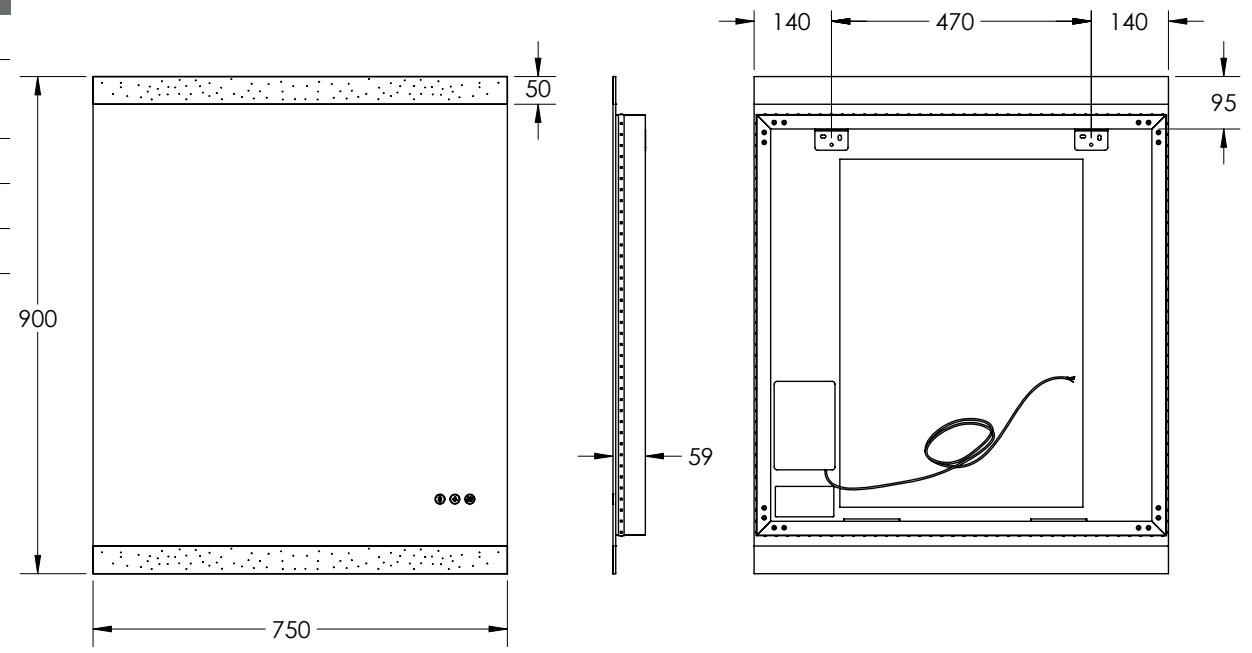
CCT	2700K - 6500K
CRI	>80

### INSTALLATION

Wall mount
Hardwire
Input voltage: 220-240v 50Hz

### FEATURES

Copper Free Mirror
LED Lighting (Adjustable Colour Temperature)
Touch Sensor
Demister with 1 Hour Auto Cut-off
Bluetooth Speakers



Disclaimer: All LED Products requiring hardwiring must be installed by a licensed electrician in accordance with local regulations. Sizes are in mm and nominal and should be checked prior to installation. Actual colours may vary so please check colour samples before ordering. Installation is acceptance of our products. Installation of faulty, warped, chipped or damaged products will void our warranty.

# MIRO 750DB

**PRODUCT CODE**  
M75DB

## LED MIRROR

### SPECIFICATIONS

WIDTH	750mm
HEIGHT	900mm
DEPTH	43mm
WEIGHT	15kg
ORIENTATION	Landscape

### LIGHTING SPECIFICATIONS

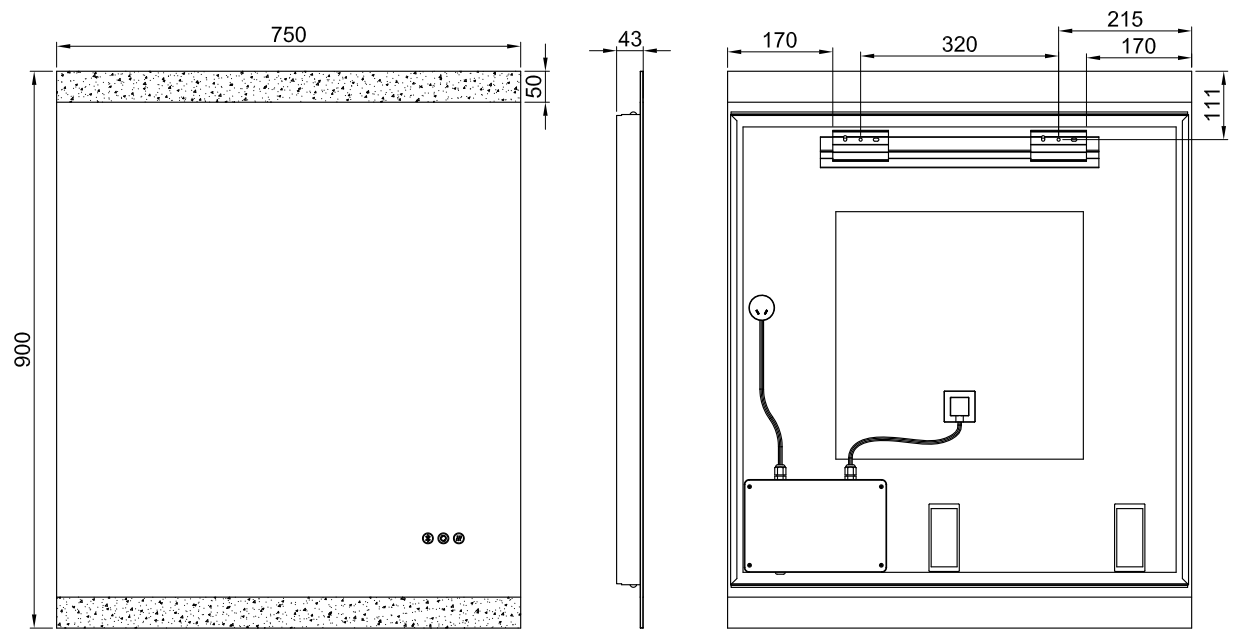
CCT	2700K - 6500K
CRI	>80

### INSTALLATION

Wall mount
Hardwire / Plug
Input voltage: 220-240v 50Hz

### FEATURES

Copper Free Mirror
LED Lighting (Adjustable Colour Temperature)
Touch Sensor
Demister with 1 Hour Auto Cut-off
Bluetooth Speakers



Disclaimer: All LED Products requiring hardwiring must be installed by a licensed electrician in accordance with local regulations. Sizes are in mm and nominal and should be checked prior to installation. Actual colours may vary so please check colour samples before ordering. Installation is acceptance of our products. Installation of faulty, warped, chipped or damaged products will void our warranty.