

meir.

**MB09 FREESTANDING
BATH FILLER**

Version 1. 2024.

WELCOME

Thank you for purchasing our free standing bath filler and hand shower.

Before installing this product, please read this information booklet carefully. It contains information for safe use, care and maintenance. Please make sure you use a qualified plumber when installing this complex unit. Meir does not accept responsibility for any damages caused by not following these instructions.

If you have any questions regarding our products, please contact us at:

sales@meir.com.au

CONTENTS

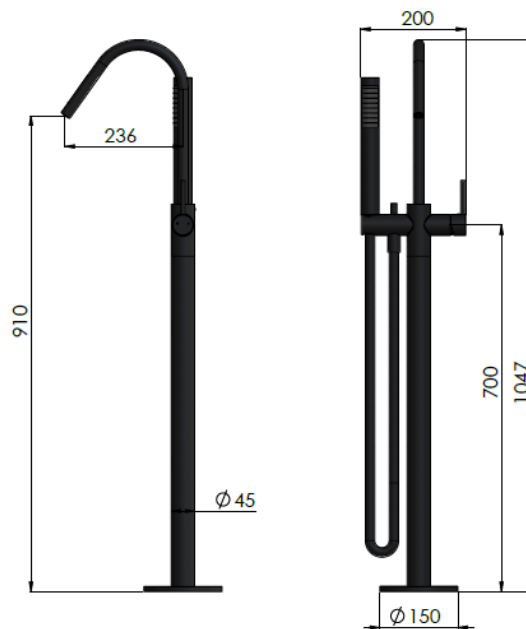
WELCOME	01
CONTENTS	02
DESCRIPTION	03
PRODUCT DIMENSIONS	04
PRECAUTIONS FOR INSTALLATION	05
INSTALLATION INSTRUCTIONS	06
WARRANTY	10
CLEANING	10

DESCRIPTION



The Meir MB09 bath filler is a premium addition to the bathroom range. It's sturdy floor mount allows you to position the freestanding bath mixer anywhere near your bath. The easy to reach diverter with hand shower completes the functionality required for your bathing experience.

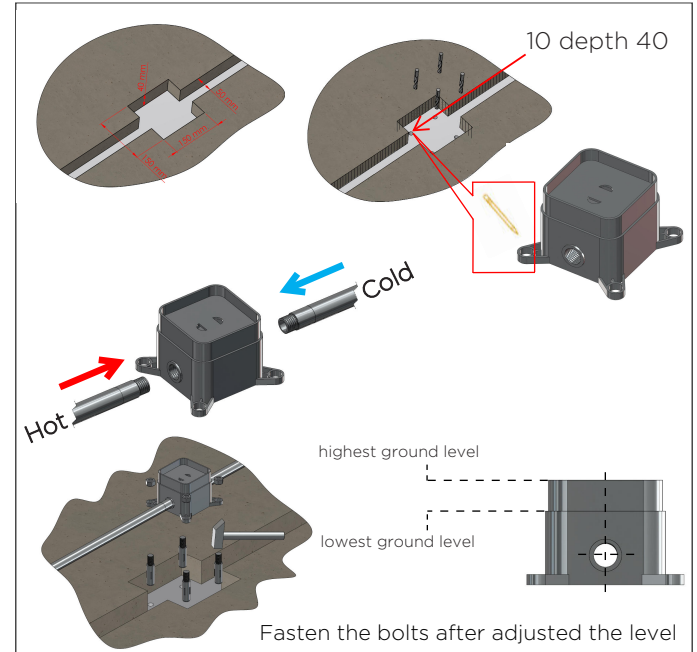
PRODUCT DIMENSIONS



PRECAUTIONS FOR INSTALLATION

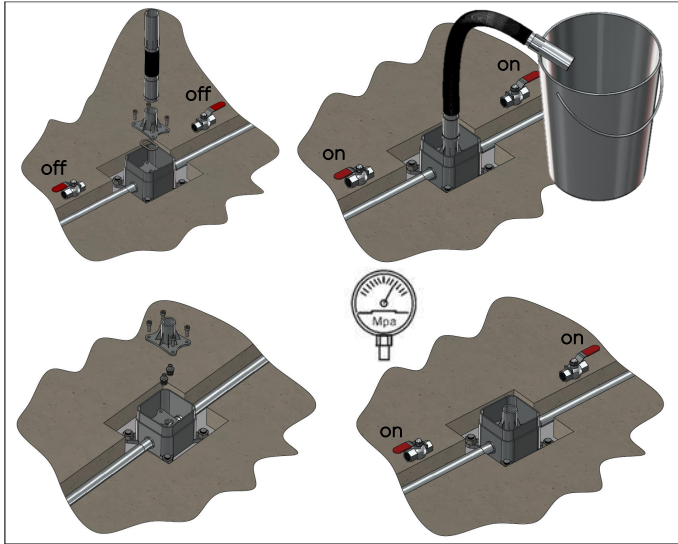
1. This information booklet does not replace the need to use a qualified plumber.
2. Make sure the installation dimensions are checked prior to installation. Refer to the on-line datasheets for product dimensions and features.
3. This product is intended for domestic use only.
4. Ensure that no metal tools are used directly against the surface of the accessories when working the parts during installation.
5. The failure to comply with the instructions outlined above will void any warranty claims. (See the warranty guidelines).

INSTALLATION INFORMATION



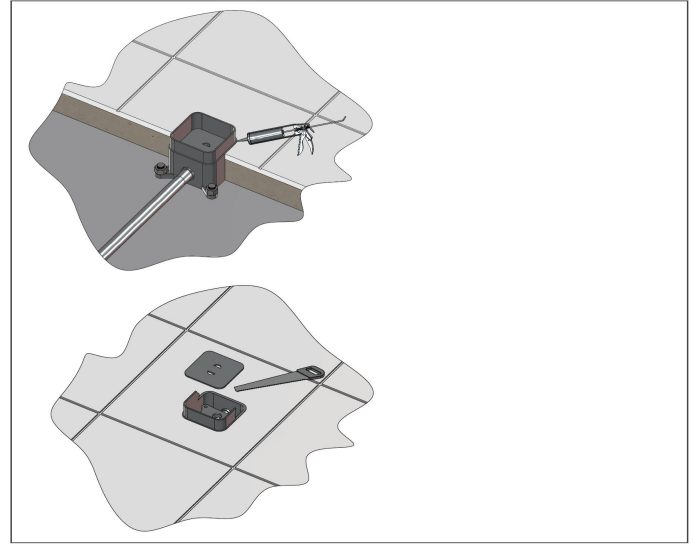
1. Mark out the floor space for the base. Drill the four 10mm mounting holes.
2. Remove the plugs and dust cover while making the water connections.
3. Connect the hot and cold water supplies. Make sure the correct inlet is used for hot and cold.
4. Use the raw bolts provided to fasten the base. Make sure the base is level using the bubble level provided on the base.

INSTALLATION INFORMATION



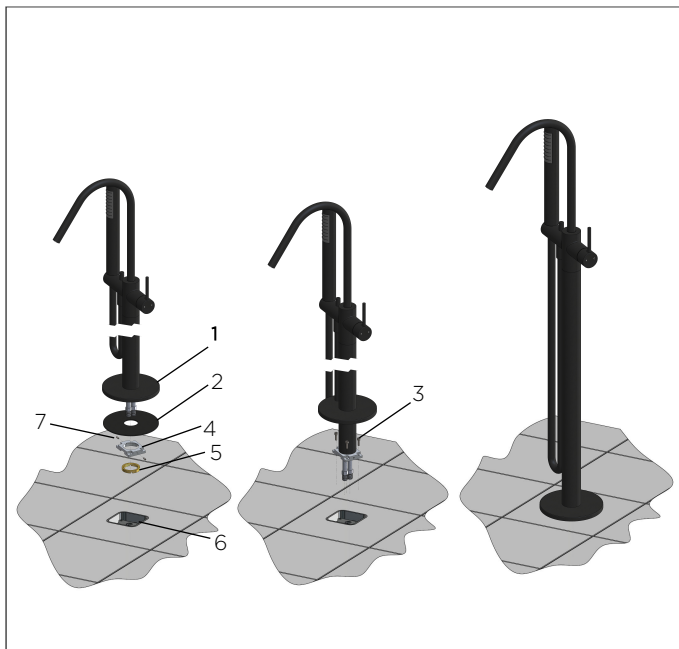
1. Use the flushing parts to flush the pipes after connection. Remove the plugs and add the flushing pipe adapter. Add the flushing pipe and flush the pipes into a bucket.
2. Replace the plugs under the plastic flushing pipe adapter and switch on the water to test for any leaking.

INSTALLATION INFORMATION



1. Cut the plastic lip of the base to the floor height once the flooring has been installed.

INSTALLATION INFORMATION



1. Place the base plate (4) over the end of the main pipe, thread the round lock nut (5) to the pipe, holding the base plate (4) in place.
2. Insert the main pipe hot and cold water pipe ends into the floor base. Take care not to mix up the hot and the cold connections.
3. Fasten the 4 bolts (3) to the base. Make sure the MB09 mixer handle is orientated correctly to the bath before fastening tightly. Tighten grub screws (7) in the lock nut when correctly orientated.
4. Test that the MB09 is stable after tightening.
5. Insert the MB09 bath spout into the main pipe. Add the hose with hand shower.

09

WARRANTY

THE WARRANTY WILL NOT APPLY IF:

- Normal and fair wear and tear, misuse, abuse, or mishap.
- The exposure to excessive moisture derived from lack of ventilation.
- The inability to provide proof of purchase.
- Products not installed by a licensed trades person, failure to follow installation instructions or damage which arises from or during installation.

Scratches or damage caused by applying physical and or abrasive contact directly to the product.

- The product being damaged by accident or neglect.
- Incorrect use of the product other than its fit for purpose.
- The purchaser attempting to modify or repair the product.
- Full Warranty and Terms & Conditions can be viewed at: meir.com.au/meir-australia-warranty/

CLEANING

- Do not install the accessories using any form of acetone silicones.
- Do not apply physical items (such as tools) directly to the product.
- Never use detergents, citrus based cleaners, bleach, or abrasive cream cleaners and do not use undue pressure.
- A soft cloth can be used to remove surface dust. Alternatively, wipe with warm soapy water to ensure the finish remains in a superior condition for continued use.

CONTACT

P: 1800 012 122

P: +61 3 8678 1722 (international)

E: sales@meir.com.au

meir.