

meir.

**TAPWARE  
INSTALLATION GUIDE**

Version 1. 2022.

## WELCOME

Thank you for purchasing one of our premium tapware. Before installing these products, please read these instructions carefully. This Installation Guide contains information for safe use, installation and maintenance. Meir does not accept responsibility for any damages due to not observing these instructions. If you have any questions regarding our products, please contact us at:

[sales@meir.com.au](mailto:sales@meir.com.au)

## CONTENTS

---

WELCOME .....	2
CONTENTS .....	3
PRECAUTIONS FOR INSTALLATION .....	4
WARRANTY .....	5
BASIN MIXER .....	6
KITCHEN MIXER .....	8
PULL-OUT KITCHEN MIXER .....	10
DIVERTER MIXER .....	12
WALL MIXER .....	14
JUMPER VALVE WALL TOP ASSEMBLY .....	16
QUARTER TURN WALL TOP ASSEMBLY .....	18
WALL SPOUT AND MIXER .....	20
WALL SET .....	22
BASIN SET / HOB SET .....	24
SPOUT .....	26
WASHING MACHINE STOPS .....	28
ROUND WALL TAPS .....	30
FREESTANDING BATH SPOUT .....	33
CLEANING .....	35

## PRECAUTIONS FOR INSTALLATION

---

- Installation must only be completed by a licensed plumber or tradesperson.
- When installing products, all pipes must be flushed clean before installation.
- The water pressure must be tested. Where the water pressure exceeds 500Kpa, an approved pressure reducing valve should be fitted.
- Always fit isolating taps to the hot and cold inlet connections in accordance with the Australian national plumbing code AS3500.
- Ensure the hoses are not twisted or stretched, are not under tension and not bent to a radius less than 25mm when being installed.
- If the water temperature exceeds 75°C, an approved water tempering valve must be fitted.
- For domestic use only.
- The plumber or tradesperson must generate a certificate or official statement showing the work and tests completed. This certificate or receipt must be kept and provided to Meir during any warranty claim request.
- Follow the 'Care and Cleaning' guide on: [meir.com.au/pages/warranty](https://meir.com.au/pages/warranty)
- Failure to comply with all the above instructions will void all warranties.

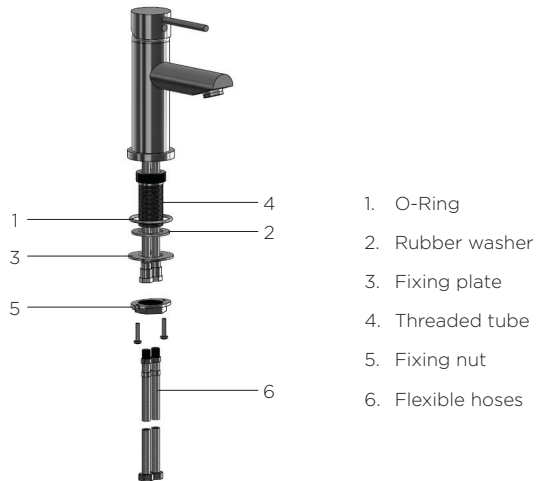
## WARRANTY

---

### THE WARRANTY WILL BE VOIDED DUE TO:

- Normal and fair wear and tear, misuse, abuse, or mishap.
- The exposure to excessive moisture derived from lack of ventilation.
- The inability to provide proof of purchase.
- Products not installed by a licensed tradesperson, failure to follow installation instructions or damage which arises from or during installation.
- Scratches or damage caused by applying physical and or abrasive contact directly to the product.
- The product being damaged by accident or neglect.
- Incorrect use of the product in accordance with any applicable Instruction Guides.
- The purchaser attempting to modify or repair the product.
- Full Warranty and Terms & Conditions can be viewed at: [meir.com.au/meir-australia-warranty/](https://meir.com.au/meir-australia-warranty/)

## BASIN MIXER

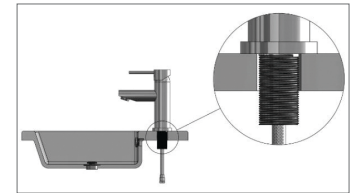


## INSTALLATION INSTRUCTIONS

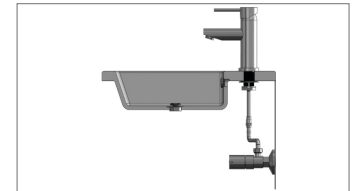
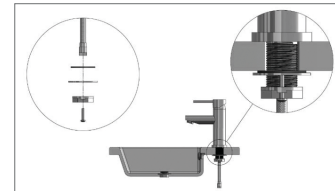
1. Install the O-Ring (part 1), flexible hoses (part 6) and the threaded tube (part 4) onto the mixer, ensuring the O-ring is flat, the hoses are tight, and the threaded tube is secure.
2. Position the mixer over the center of the hole to be used for mounting. Ensure the flexible hoses and threaded tube are pushed through first.

### NOTE:

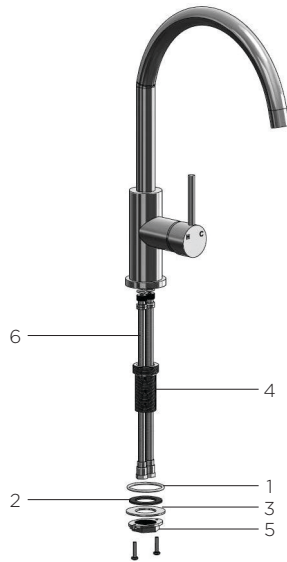
- Hot is always on the left position.
- Some models use a horse-shoe connection.



3. Place the rubber washer (part 2) over the flexible hoses and push up until it is firm against the surface being mounted on, then push (part 3 + part 5) the fixing plate and fixing nut over the flexible hoses and tighten firmly and tighten screws where applicable.
4. Connect the flexible hoses to the isolating stop cocks (check that as the hoses are being tightened that they are not loose from the mixer body). Test for leaks and correct operation of the mixer.



## KITCHEN MIXER



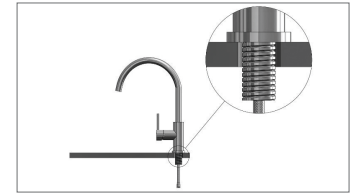
1. O-Ring
2. Rubber washer
3. Fixing plate
4. Threaded tube
5. Fixing nut
6. Flexible hoses

## INSTALLATION INSTRUCTIONS

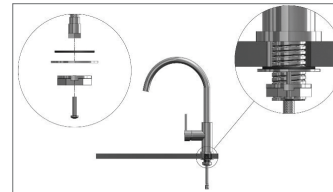
1. Install the O-Ring (part 1), flexible hoses (part 6) and the threaded tube (part 4) onto the mixer, ensuring the O-ring is flat, the hoses are tight, and the threaded tube is secure.
2. Position the mixer over the center of the hole to be used for mounting. Ensure the flexible hoses and threaded tube are pushed through first.

### NOTE:

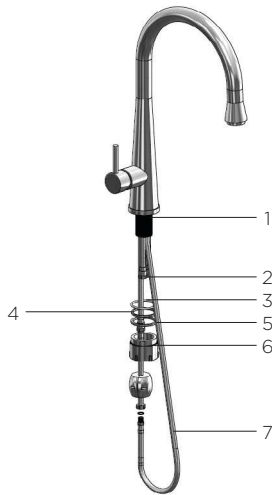
- Hot is always on the left position.
- Some models use a horse-shoe connection.



3. Place the rubber washer (part 2) over the flexible hoses and push up until it is firm against the surface being mounted on, then push (part 3 + part 5) the fixing plate and fixing nut over the flexible hoses and tighten firmly and tighten screws where applicable.
4. Connect the flexible hoses to the isolating stop cocks (check that as the hoses are being tightened that they are not loose from the mixer body). Test for leaks and correct operation of the mixer.



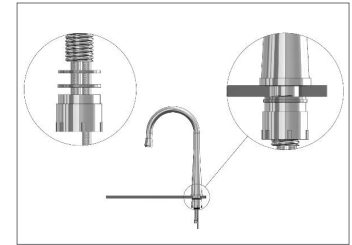
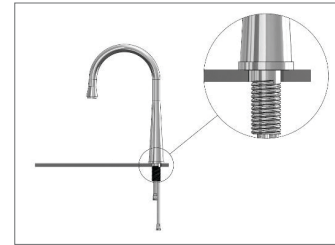
## PULL-OUT KITCHEN MIXER



1. Threaded tube
2. Flexible hoses
3. O-ring
4. Rubber seal
5. Fixing plate
6. Fixing nut
7. Inlet hoses

## INSTALLATION INSTRUCTIONS

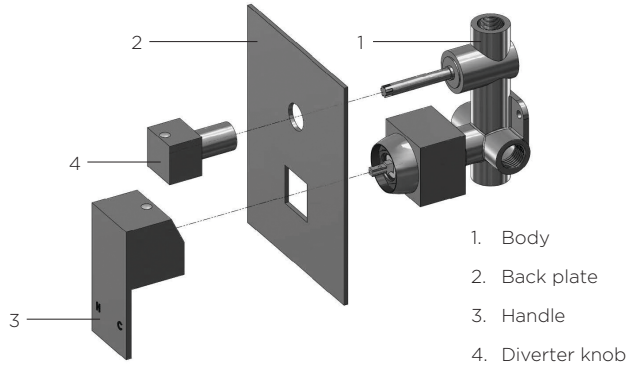
1. Position the mixer over the center of the hole to be used for mounting. Ensuring the flexible hoses and threaded tube are pushed through first.
2. Place the rubber seal (part 2) over the flexible hoses and push up until it is firm against the surface being mounted on, then push (part 5 + part 6) the fixing plate and fixing nut over the flexible hoses and tighten firmly.



3. Attach the counter weight to the pull out flexible hose (part 2) DO NOT TIGHTEN (as the counter weight will need to be adjusted later on. Connect the flexible hoses and tighten (part 7) to the water outlet ensuring the rubber seal is not missed.
4. Adjust the counter weight now to ensure the hose will retract correctly, then tighten. Connect the flexible hoses to the isolating stop cocks (check that as the hoses are being tightened that they are not loosening on the mixer body). Test for leaks.

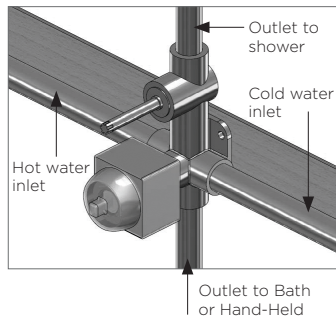
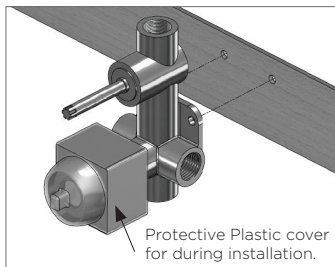


## DIVERTER MIXER



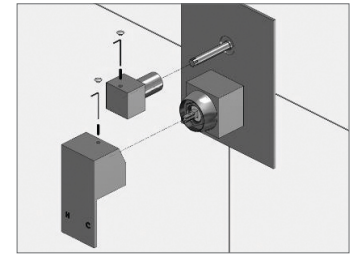
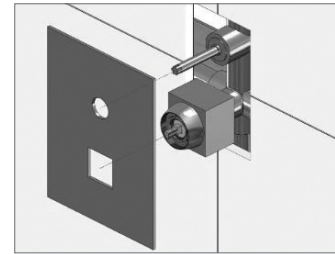
1. Fix the body of the mixer to a suitable fixing plate or noggin. Ensure the mixer is level and will have enough of the body exposed to install the plate (part 2) and diverter knob (part 3).
2. Install the hot (on the left) and cold (on the right) water connections and the bottom and top outlets (typically the top outlet is to be used for a shower and the bottom outlet is to be used for a bath or hand spray). Once all the fittings have been tightened, check for leaks and correct operation of the mixer.

**IMPORTANT:** Ensure the plastic protector cover remains over the body during installation.



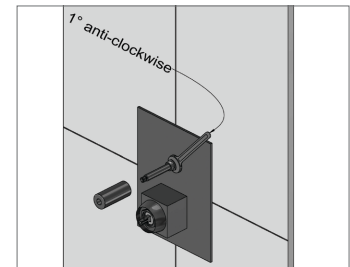
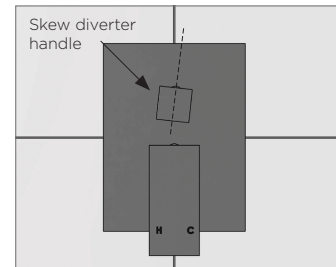
## INSTALLATION INSTRUCTIONS

3. Remove the protective covers and carefully slide the back plate (part 2) over the mixer/diverter bodies until it is firm against the wall (it is recommended to apply a clear sealant behind the back plate to ensure water cannot run behind the plate).
4. Fit the handle (part 3) and diverter knob (part 4) ensuring they are secured correctly (the diverter knob should be turned all the way to the left then adjust the knob so it lines up before tightening).

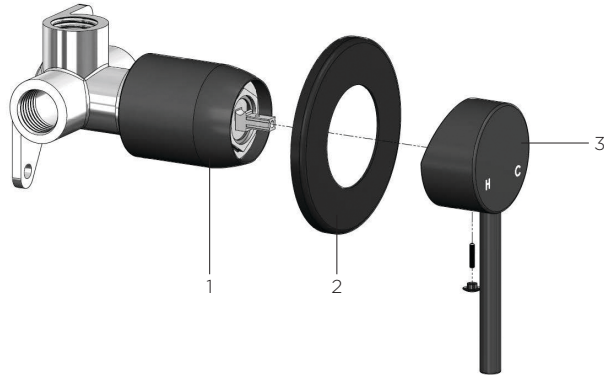


### Diverter Handle Orientation Adjustment:

In the case where the diverter handle is not orientated exactly to the vertical, as in the picture below, adjust the diverter anti-clockwise by a small amount as shown in the image. Remove the diverter sleeve, and using a size 10 spanner, make the adjustment slightly to the left (anti-clockwise) until the handle points exactly to the vertical.



## WALL MIXER

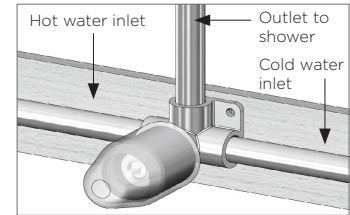
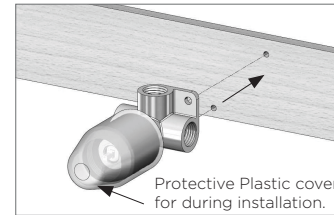


1. Body
2. Backplate
3. Handle

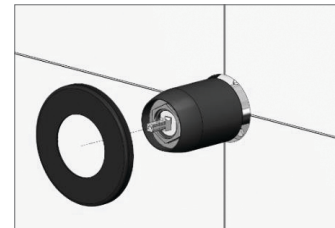
## INSTALLATION INSTRUCTIONS

1. Fix the body of the mixer to a suitable fixing plate or noggin. Ensure the mixer is level and will have enough of the body exposed to install the plate (part 2) and handle (part 4).
2. Install the hot (on the left) and cold (on the right) water connections. Once all the fittings have been tightened, check for leaks and correct operation of the mixer.

**IMPORTANT:** Ensure the plastic protector cover remains over the body during installation.

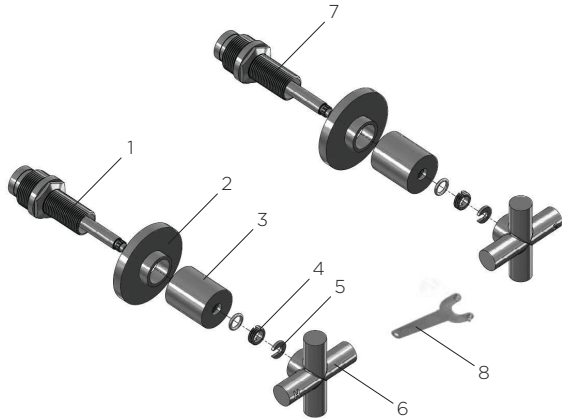


3. Remove the protective covers and carefully slide the back plate (part 2) over the mixer/diverter bodies until it is firm against the wall (it is recommended to apply a clear sealant behind the back plate to ensure water cannot run behind the plate).
4. Fit the handle (part 3) ensuring they are secured correctly after tightening.





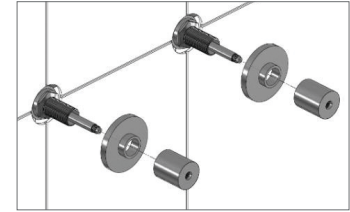
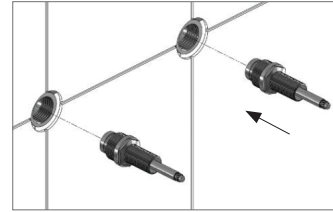
## JUMPER VALVE WALL TOP ASSEMBLY



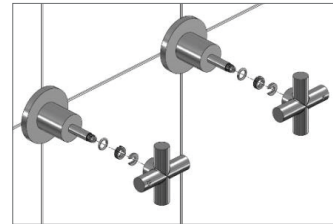
1. Hot cartridge
2. Backplate
3. Fixing nut
4. Nut
5. C-clip
6. Handle
7. Cold cartridge
8. Installation tool

## INSTALLATION INSTRUCTIONS

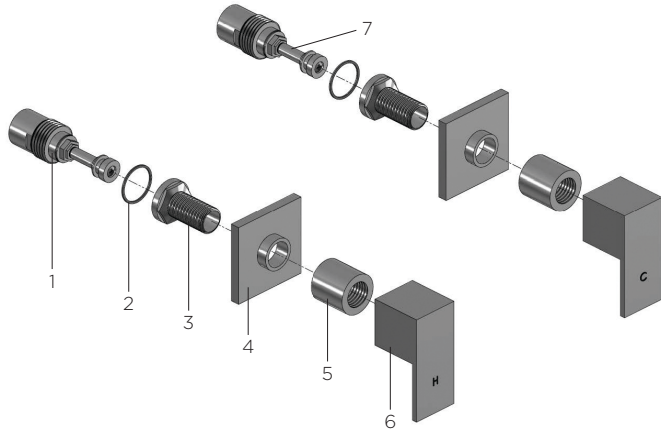
1. Ensure the seat surface is clean and smooth, if required re-seat and flush. Disassemble the handle and back plate from the spindle if required. Install the jumper valve spindle into the breech seat and tighten the locking nut. Ensure the spindle sits correctly in terms of direction and depth before waterproofing.
2. Slide the cover plate and fixing nut over the spindle and hand tighten (if there is not enough thread to tighten the fixing nut on you will require spindle extensions, these can be purchased separately).



3. Install parts 4, 5 and 6 then tighten accordingly. Use care when using the provided 2 prong spanner to avoid scratching the spindle. Test for leaks around the spindle bodies and to ensure the wall tops are functioning correctly.



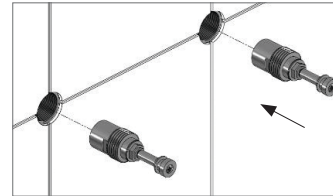
## QUARTER TURN WALL TOP ASSEMBLY



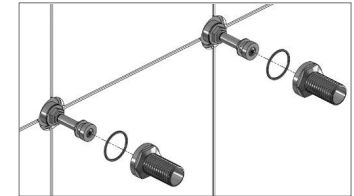
1. Hot cartridge spindle
2. Fibre washer
3. Locking nut
4. Back plate
5. Fixing nut
6. Handle
7. Cold cartridge spindle

## INSTALLATION INSTRUCTIONS

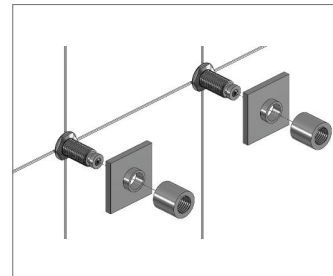
1. Ensure the seat surface is clean and smooth, if required, re-seat and flush. Disassemble the handle, back plate, locking nut and fibre washer from the spindle (see image below). Install the spindle into the breech seat and ensure the spindle sits correctly.



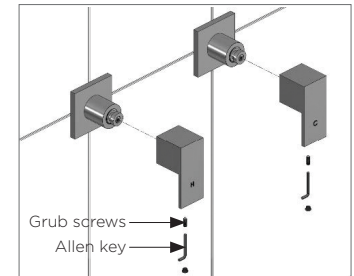
2. Install the fibre washer then locking nut back onto the spindle and tighten.



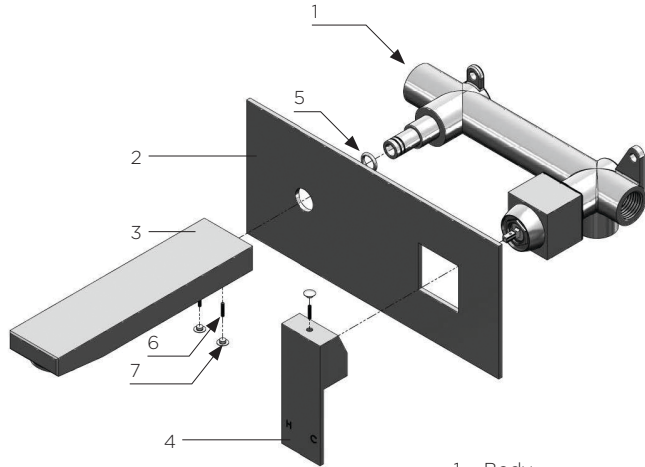
3. Slide the cover plate and fixing nut over the spindle and hand tighten (if there is not enough thread to tighten the fixing nut on you will require extended spindles or spindle extensions, these can be purchased separately).



4. Install the handles and tighten the grub screw (ensure the spindles are turned to the off position and the handles are aligned correctly before tightening the grub screw). Test for leaks and to ensure the wall tops are functioning correctly.



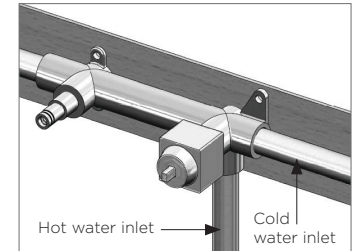
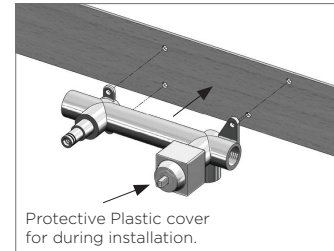
## WALL SPOUT AND MIXER



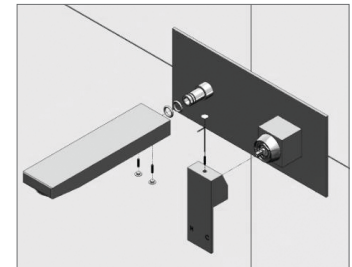
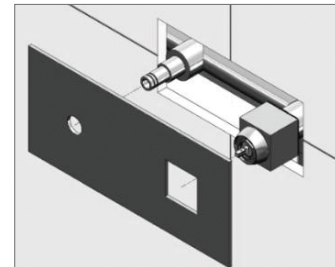
1. Body
2. Back plate
3. Spout
4. Handle
5. O-ring
6. Screw
7. Decor knob

## INSTALLATION INSTRUCTIONS

1. Fix the body of the mixer to a suitable fixing plate or noggin. Ensure the mixer is level and will have enough of the body exposed to install the plate (part 2) and spout (part 3).
2. Install the hot (Bottom) and cold (Right) water connections. Once all of the fittings have been tightened, check for leaks and correct operation of the mixer.

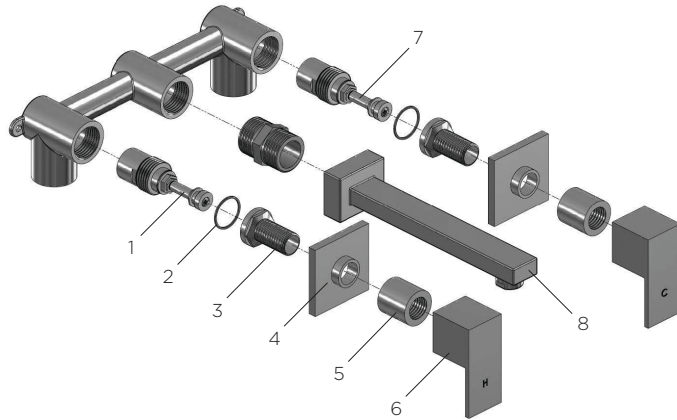


3. Remove the protective covers and carefully slide the back plate (part 2) over the mixer and spout bodies until it is firm against the wall (it is recommended to apply a clear sealant behind the back plate to ensure water cannot run behind the plate).
4. Fit the handle (part 4) and spout (part 3) ensuring they are secured correctly (the spout has two grub screws which need to be tightened at the same time in sequence) failure to follow this step can result in the spout not lining up.



## WALL SET

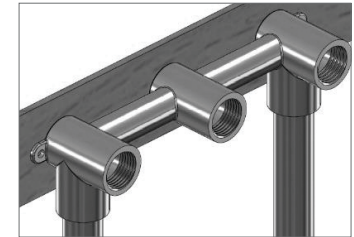
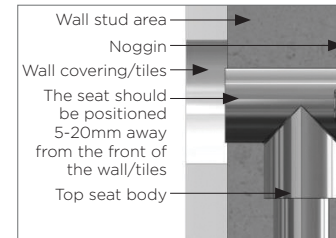
(CONCEALED SHOWER/BASIN/BATH  
BREECH ASSEMBLY SHOWN IS SOLD SEPARATELY)



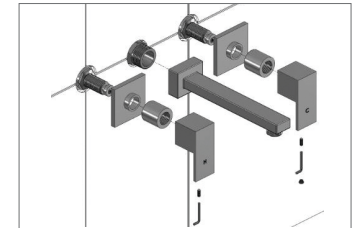
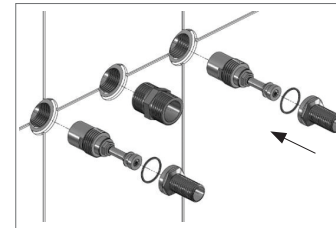
1. Hot cartridge spindle
2. Fibre washer
3. Locking nut
4. Back plate
5. Fixing nut
6. Handle
7. Cold cartridge
8. Spout

## INSTALLATION INSTRUCTIONS

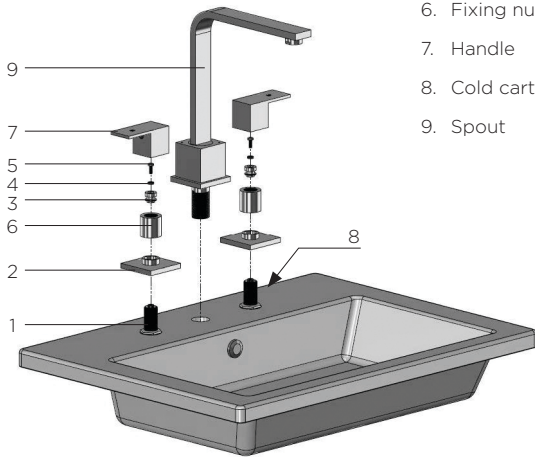
1. (A Typical Installation) Fix the concealed assembly to a suitable fixing plate or noggin. Ensure the assembly is finished level with surface face as per the below diagram.
2. Install the hot (bottom left) and cold (bottom right) water connections. Once all the fittings have been tightened, check for leaks and correct operation of the assembly.



3. Now install the wall tops and insert a 1/2-inch male BSP threaded pipe into the center outlet using threaded tape or plumbers tape (not provided) ensuring all the fittings are tight and tested for leaks and operation. Apply clear sealant if required.
4. Fit the handles, plates and spout ensuring they are secured correctly, as per their individual installation guides.



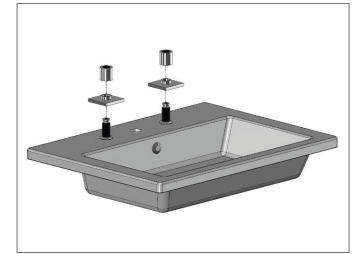
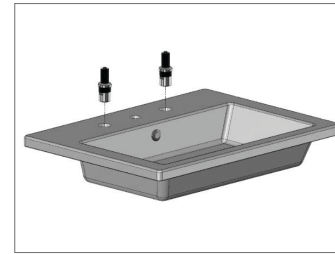
## BASIN SET / HOB SET



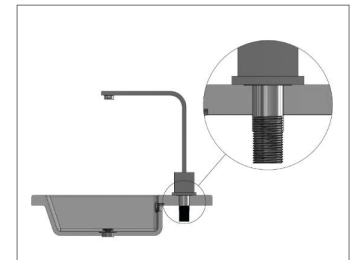
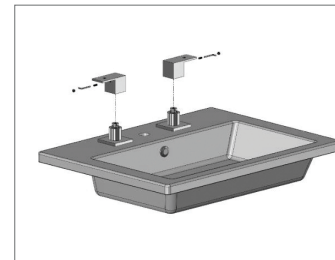
1. Hot cartridge
2. Back plate
3. Connector
4. Fibre washer
5. Screw
6. Fixing nut
7. Handle
8. Cold cartridge
9. Spout

## INSTALLATION INSTRUCTIONS

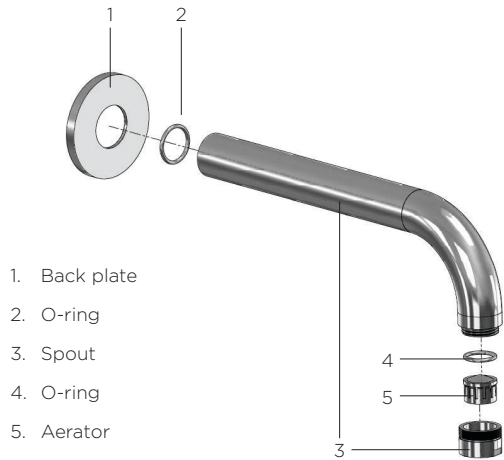
1. Disassemble the handle, back plate, locking nut and fibre washer from the spindle. Install the supplied breach assembly under the basin and install the spindle into the breach seat and ensure the spindle sits tightly and correctly.
2. Install the fibre washer then locking nut back onto the spindle and tighten. Slide the cover plate and fixing nut over the spindle and hand tighten.



3. Install the handles and tighten the grub screw (ensure the spindles are turned to the off position and the handles are aligned correctly before tightening the grub screw).
4. Position the spout to the center of the hole and mount to assembly breach. Tighten all fittings and test for leaks.



## SPOUT



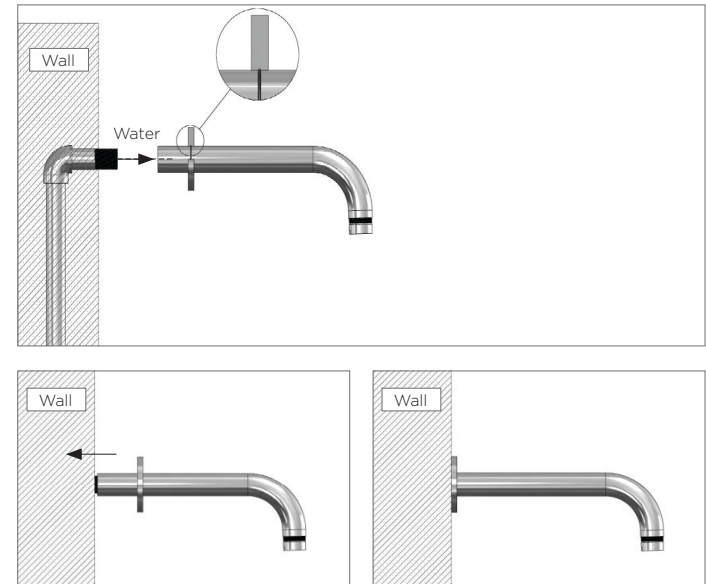
## INSTALLATION INSTRUCTIONS

1. Apply thread tape to the exposed G1/2" BSP thread, ensure the back plate (part 2) is installed on the body of the spout before screwing the spout clockwise (by hand) onto the G1/2" BSP thread (the spout should finish up tight against the finished surface).

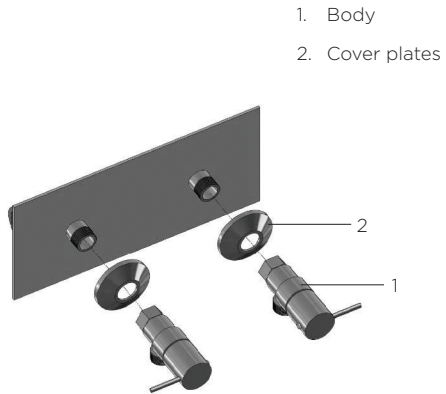
Test for leaks and correct operation of the spout.

Push the back plate firmly against the finished surface. (It is recommended to apply a small amount of clear sealant to the back of the plate or spout to ensure water cannot run behind).

**IMPORTANT:** No tools are to be applied directly to the spout.

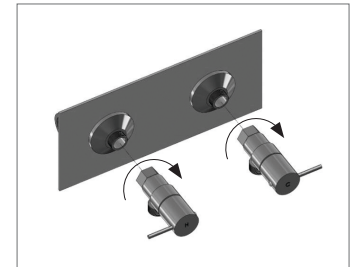
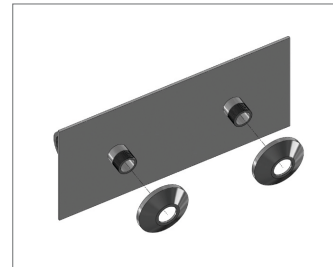


## WASHING MACHINE STOPS



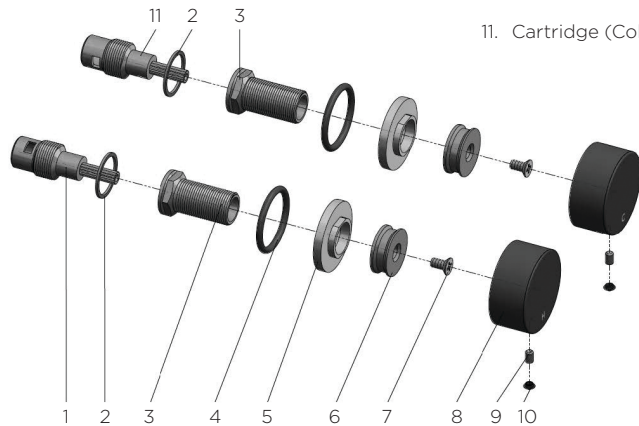
## INSTALLATION INSTRUCTIONS

1. Install the cover plates over the G1/2" BSP pipes.
2. Screw the tap body onto the G1/2" BSP thread and ensure the outlet is facing down (it is recommended to apply threaded tape before installation) Do not over-tighten.



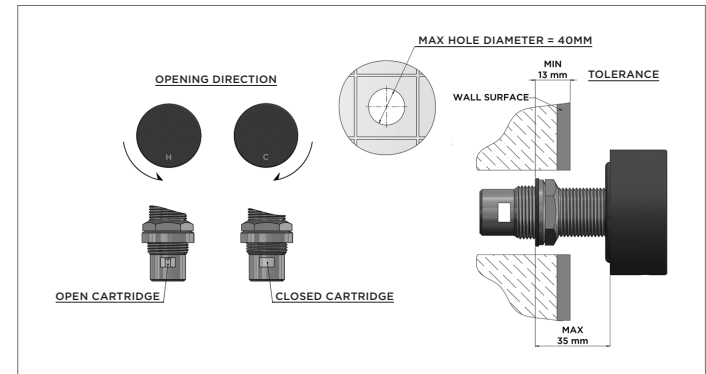
## ROUND WALL TAPS

1. Cartridge (Hot)
2. Fiber Washer
3. Lock Nut
4. O-ring
5. Base plate
6. Connector
7. Screw
8. Handle
9. Button
10. Screw
11. Cartridge (Cold)

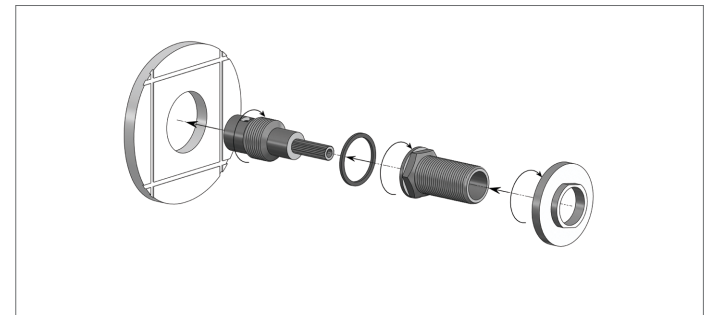


## INSTALLATION INSTRUCTIONS

1. Before installation please take note of the installation tolerances, as well as the turning directions of the H and C cartridges.



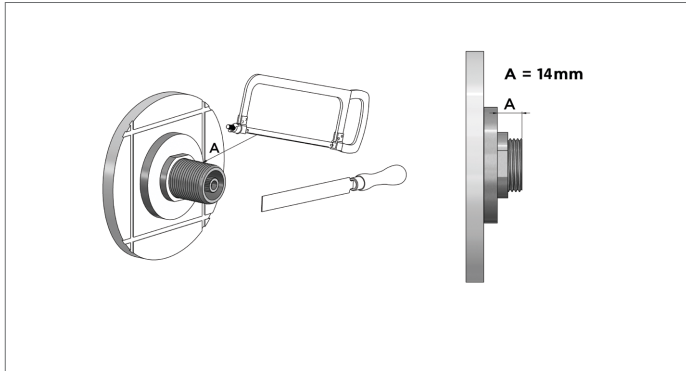
2. Separate the lock nut from the cartridge. Install the cartridge tightly into the breach in the wall, then fasten the lock nut tightly over the cartridge. Screw the base plate over the lock nut, against the wall surface finish.



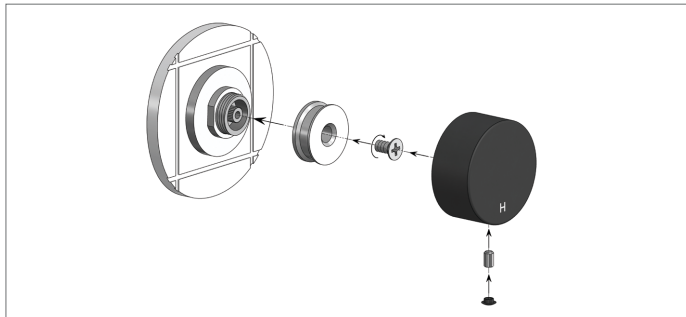


## INSTALLATION INSTRUCTIONS (CONTINUED)

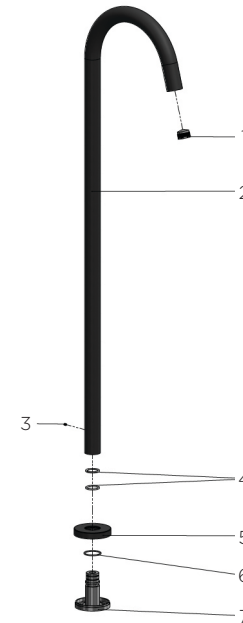
3. Measure from the surface of the back plate and cut the lock nut and the spindle to the same lengths.



4. Screw the handle connector in place, then fasten the handle. Orientate the handle correctly to show the 'H' and 'C' in the bottom position when the cartridge is closed.



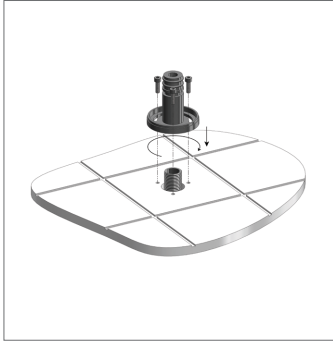
## FREESTANDING BATH SPOUT



1. Aerator
2. Spout
3. Screw
4. O-ring
5. Back plate
6. O-ring
7. Base plate

## INSTALLATION INSTRUCTIONS

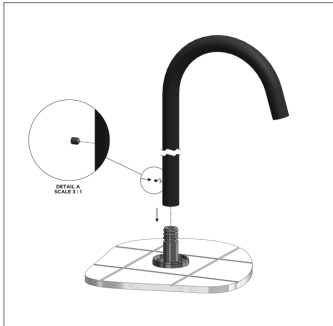
1. Screw the base to the water outlet tightly and then fasten the floor bolts.



2. Slide the cover plate onto the spout from the bottom before fastening the spout to the base.



3. Position the spout outlet over the bath before tightening the grub screw.



4. Slide the cover plate down over the base plate once the floor bolts have been tightened.



## CLEANING

- Do not install the tapware using any form of acetone silicones.
- Do not apply physical items (such as tools) directly to the product.
- Never use detergents, acidic based, or abrasive cleaners and do not use undue pressure.
- A soft cloth can be used to remove surface dust. Alternatively, wipe with warm soapy water to ensure the finish remains in a superior condition for continued use.
- The use of wax-based furniture products should be avoided. These can result in a build-up of deposits that can detract from the appearance of the product.

**CONTACT**

**P:** 1800 012 122

**P:** +61 3 8678 1722 (international)

**E:** [sales@meir.com.au](mailto:sales@meir.com.au)

**meir.**