

meir.

**SHOWER DOOR GLASS  
ACCESSORIES**

Version 1. 2023.

## WELCOME

Thank you for purchasing our glass door accessories for your shower door installation.

Before installing this product, please read this information booklet carefully. It contains information for safe use, care and maintenance. Glass shower doors are heavy and can easily break. Please make sure you use a qualified glass door installer when installing the Meir glass door accessories. Meir does not accept responsibility for any damages caused by not following these instructions.

If you have any questions regarding our products, please contact us at:

**[sales@meir.com.au](mailto:sales@meir.com.au)**

# CONTENTS

---

<b>WELCOME</b>	<b>01</b>
<b>CONTENTS</b>	<b>02</b>
<b>DESCRIPTION</b>	<b>03</b>
<b>PRODUCT DIMENSIONS</b>	<b>04</b>
<b>PRECAUTIONS FOR INSTALLATION</b>	<b>05</b>
<b>INSTALLATION INSTRUCTIONS</b>	<b>06</b>
<b>WARRANTY</b>	<b>10</b>
<b>CLEANING</b>	<b>10</b>

## DESCRIPTION

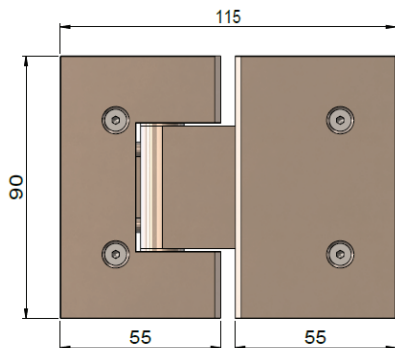
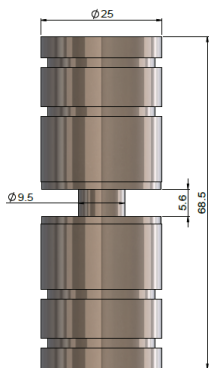
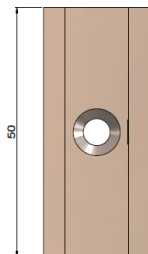
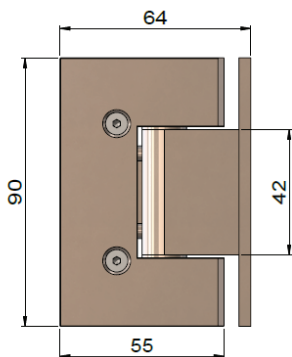
---



Meir has added the shower door accessories to the Meir range of products in the unique Meir colours. These will compliment the Meir bathroom tapware with complete spray of Meir colour throughout the bathroom. The range of shower door accessories offered by Meir is limited to the basic necessary fittings.

# PRODUCT DIMENSIONS

---



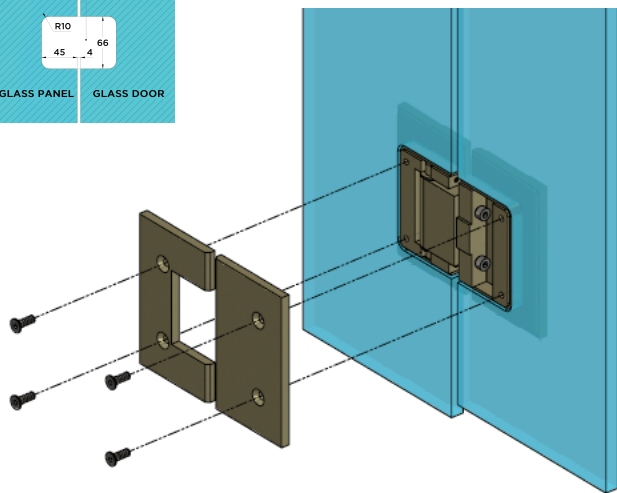
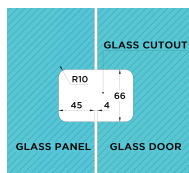
## PRECAUTIONS FOR INSTALLATION

---

1. This information booklet does not replace the need to use a qualified glass door installer. The installation of the Meir shower door accessories must only be completed by a licensed glass door trades-person.
2. Make sure the installation dimensions are checked prior to installation. Refer to the on-line datasheets for product dimensions and features.
3. This product is intended for domestic use only.
4. Ensure that no metal tools are used directly against the surface of the accessories when working the parts during installation.
5. The failure to comply with the instructions outlined above will void any warranty claims. (See the warranty guidelines).
6. The accessories are suitable for a shower door glass with thickness 8mm to 10mm.
7. The maximum glass size for a pair of hinges is 2 meter squared when using 10mm thick glass. The MAX weight allowance per hinge is 45kg.
8. The accessories are made from solid brass material and coated with a durable PVD colour layer.
9. Always use proper lifting suction cups when lifting or moving the glass.
10. Work together with an assistant. Do not try to install the glass accessories on your own.
11. Use wooden spacers when installing the glass door hinges.
12. DO NOT drill holes into the glass, or attempt any glass cutting.
13. There must be no direct contact of any metallic components with the glass surface.
14. Make sure that any hinge screws are installed into strong supports in the wall, such as wooden studs or into solid brick. The hinges must be securely re-inforced in order so support the glass door weight.

## INSTALLATION INFORMATION

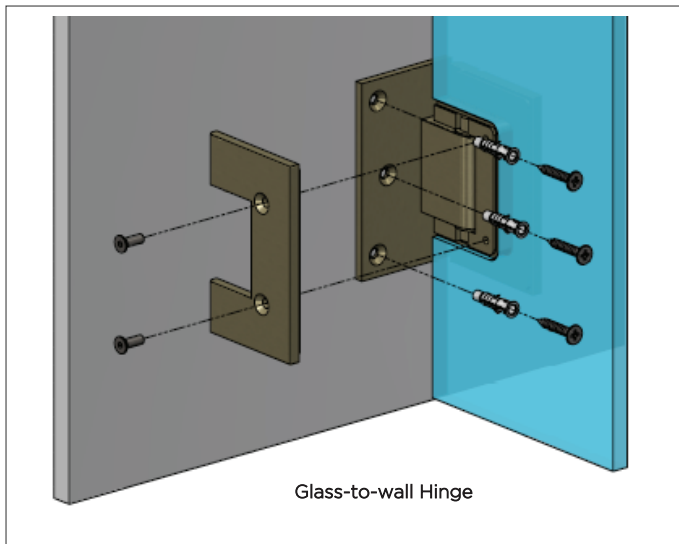
### Glass-to-glass Hinge



1. Place the glass door on top of a wooden spacer to position the hinge cut-outs in the glass.
2. Separate the hinge into 2 halves, place the main part in the glass cut-out.
3. Apply and secure the second half of the hinge.
4. Repeat with both hinges. Remove the wooden spacer and slowly to test the door movement.

## INSTALLATION INFORMATION

---

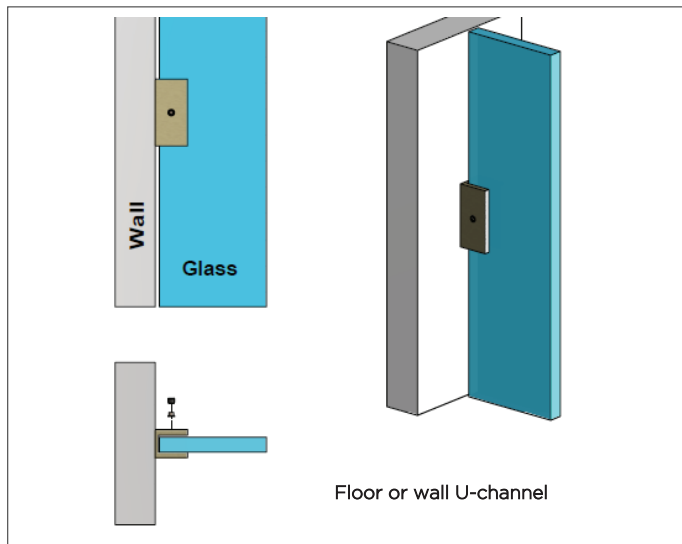


1. Separate the hinge into 2 halves, place the main part in the glass cut-outs.
2. Apply and secure the second half of the hinge.
3. Position the glass panel with the hinges against the wall and mark the 4 screw holes.
4. Drill the holes and secure the hinge face against the wall.
5. Slowly move the glass door to test the movement.



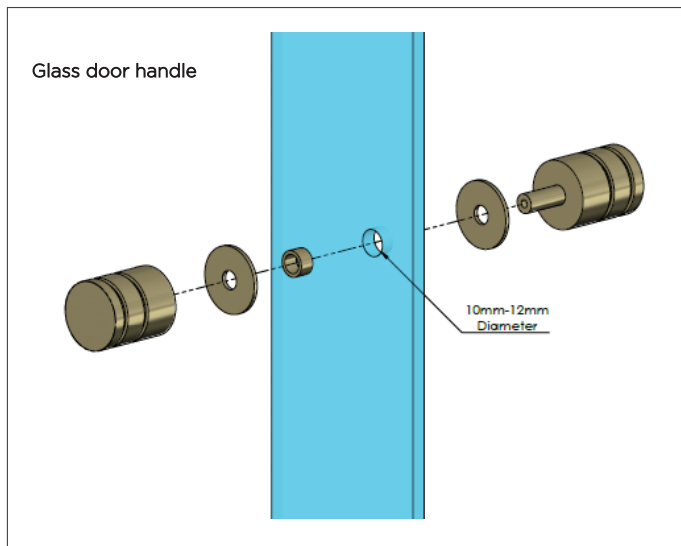
## INSTALLATION INFORMATION

---



1. Place the glass panel in position and mark the position of the u-channel to the floor or wall.
2. Remove the glass panel, drill the screw hole and fasten the channel.
3. Place the glass panel in position into the U-channel and fasten the holding screw against the glass.
4. Do not over-tighten the holding screw.
5. The U- bracket is not suitable to be used as a glass shelf bracket.

## INSTALLATION INFORMATION



1. Select the desired position for the door handle.
2. The hole diameter should be 10mm. Make sure this is done by a professional glass door installer.
3. Separate the handle into the two halves.
4. Place the first half with the spindle through the hole. Tighten the second half to the first half with the glass between.

## WARRANTY

---

### THE WARRANTY WILL NOT APPLY IF:

- Normal and fair wear and tear, misuse, abuse, or mishap.
- The exposure to excessive moisture derived from lack of ventilation.
- The inability to provide proof of purchase.
- Products not installed by a licensed trades person, failure to follow installation instructions or damage which arises from or during installation.
- The glass is damaged due to the direct contact of any metal to the glass surface.
- Scratches or damage caused by applying physical and or abrasive contact directly to the product.
- The product being damaged by accident or neglect.
- Incorrect use of the product other than its fit for purpose.
- The purchaser attempting to modify or repair the product.
- Full Warranty and Terms & Conditions can be viewed at:  
**[meir.com.au/meir-australia-warranty/](https://meir.com.au/meir-australia-warranty/)**

## CLEANING

---

- Do not install the accessories using any form of acetone silicones.
- Do not apply physical items (such as tools) directly to the product.
- Never use detergents, citrus based cleaners, bleach, or abrasive cream cleaners and do not use undue pressure.
- A soft cloth can be used to remove surface dust. Alternatively, wipe with warm soapy water to ensure the finish remains in a superior condition for continued use.

**CONTACT**

**P:** 1800 012 122

**P:** +61 3 8678 1722 (international)

**E:** [sales@meir.com.au](mailto:sales@meir.com.au)

**meir.**