

MW06

WALL TOP ASSEMBLY

meir®



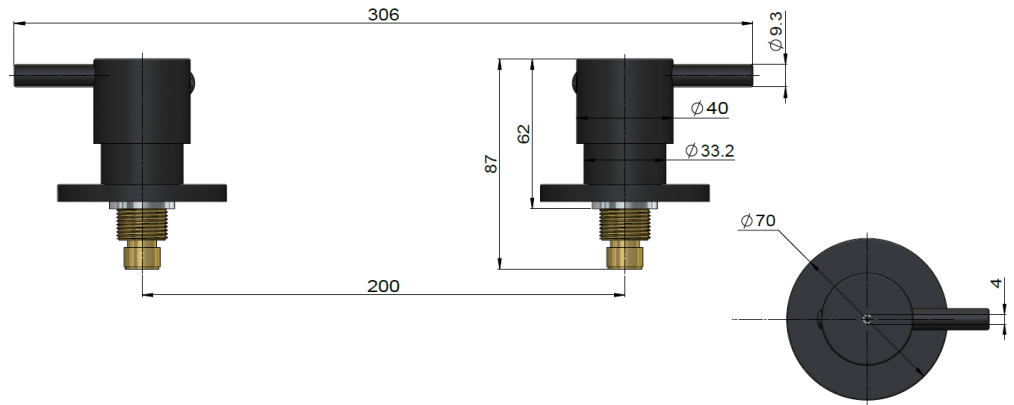
FEATURES

- Refer to the Meir website for warranty terms & conditions, and available finishes
- 1/4 turn 85mm ceramic spindle
- Flow rate 20L p/min at 3 bar pressure.
- Solid brass construction
- Required Parts MSABR00/MP13
- Box Weight 0.6Kg

CARE

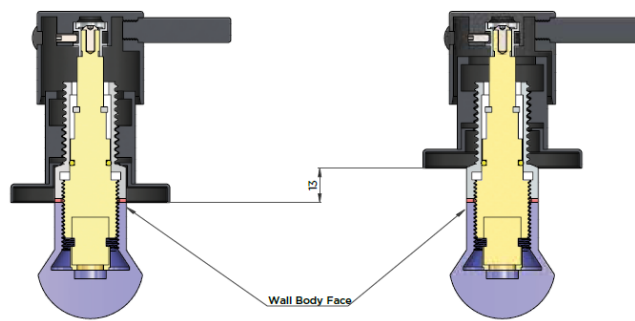
- Do not install tapware using any form of acetone silicones.
- Do not apply physical items (such as tools) directly to product.
- Never use house-hold or commercial detergents, citrus based cleaners, or abrasive cleaners.
- Clean using a mild washing soap solution rinsed, and dry with a soft cloth.
- Check for any product defects before installation.
- Refer to the installation manual for correct installation.

SPECIFICATIONS

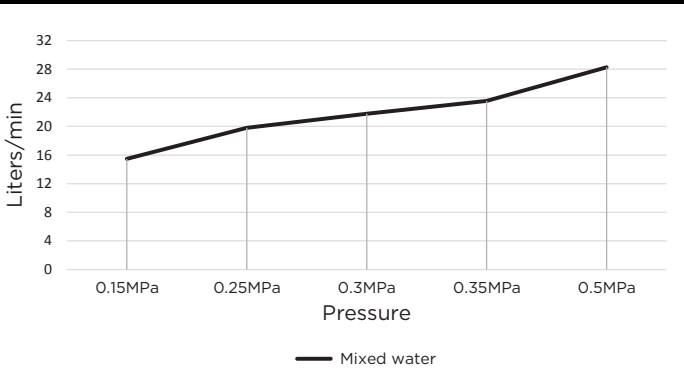


TOLERANCE

Tolerance above wall body face



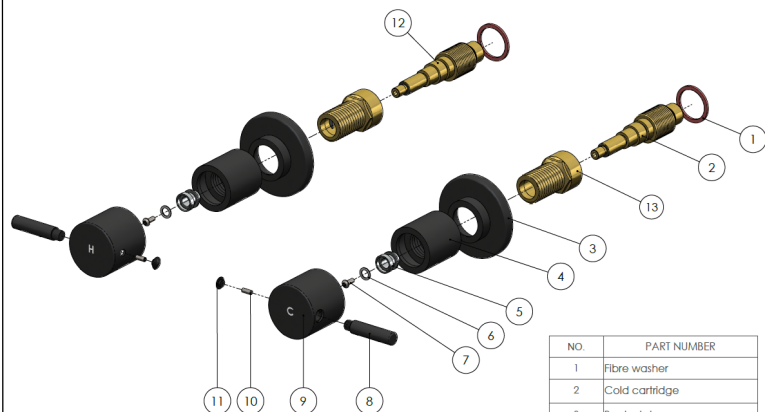
FLOW RATE GRAPH



CREDENTIALS

- Watermark AS/NZS 3718 WMKA 20374

EXPLODED VIEW



NO.	PART NUMBER
1	Fibre washer
2	Cold cartridge
3	Back plate
4	Nut
5	Connector
6	Washer
7	Screw
8	Handle lever
9	Handle
10	Screw
11	Decor knob
12	Hot cartridge
13	Lock Nut