

# MW12 DECK MOUNTED MIXER

# meir®



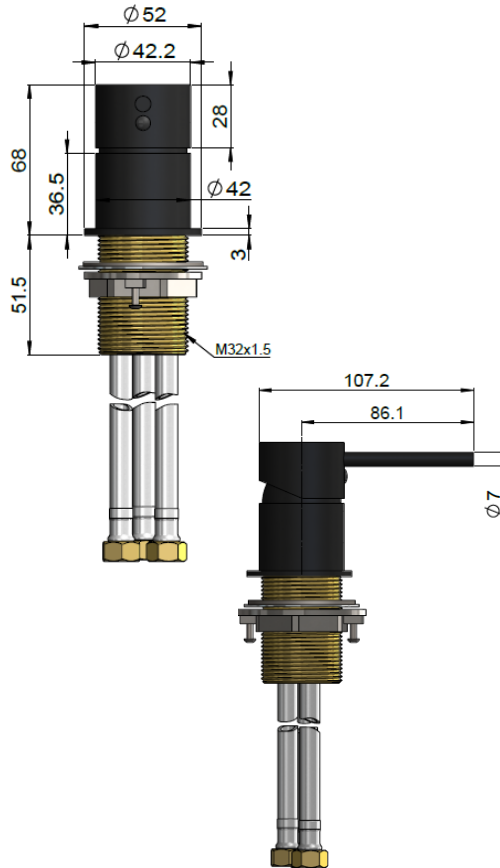
## FEATURES

- Flow rate 18L p/m
- European components and cartridge
- Reinforced rubber seal and lining
- Flexible SS hose connections.
- Solid brass construction

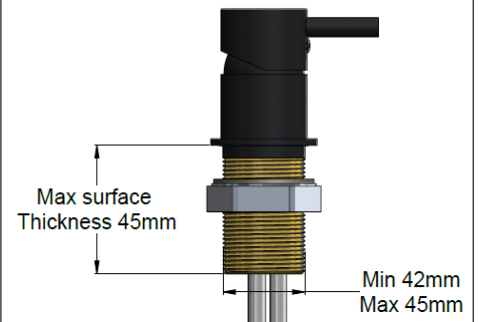
## CARE

- Do not install tapware using any form of acetone silicones.
- Do not apply physical items (such as tools) directly to product.
- Never use house-hold or commercial detergents, citrus based cleaners, or abrasive cleaners.
- Clean using a mild washing soap solution rinsed, and dry with a soft cloth.
- Check for any product defects before installation.
- Refer to the installation manual for correct installation.

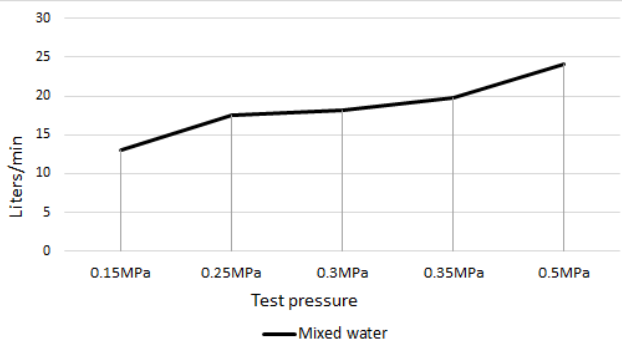
## SPECIFICATIONS



## TOLERANCE



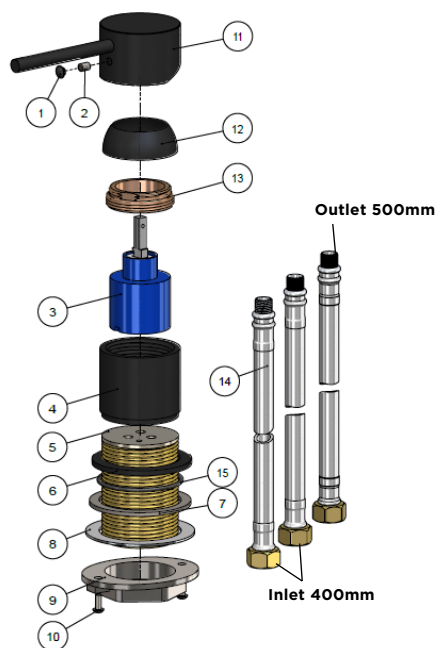
## FLOW RATE GRAPH



## CREDENTIALS

- Watermark AS/NZS 3718WMKA25013

## EXPLODED VIEW



No.	Part Name	Qty.
1	Decorative Button	1
2	Screw	1
3	D35 Cartridge	1
4	Body	1
5	Cartridge Base	1
6	Base	1
7	Flat Washer	1
8	Flat Washer	1
9	Mounting Nut	1
10	Screw	2
11	Handle	1
12	Decorate Cover	1
13	Nut	1
14	Inlet Water Hose	3
15	O-ring	1