

MZ06 HAND SHOWER



meir®

FEATURES

- Refer to the Meir website for warranty terms & conditions, and available finishes
- Flow rate **8 L p/m** at 3 bar pressure.
- Solid brass construction
- Box Weight **1.2 kg**
- 68mm long 1/2" threaded adapter included for non-AU regions only

CARE

- Do not install tapware using any form of acetone silicones.
- Do not apply physical items (such as tools) directly to product.
- Never use house-hold or commercial detergents, citrus based cleaners, or abrasive cleaners.
- Clean using a mild washing soap solution rinsed, and dry with a soft cloth.
- Check for any product defects before installation.
- Refer to the installation manual for correct installation.

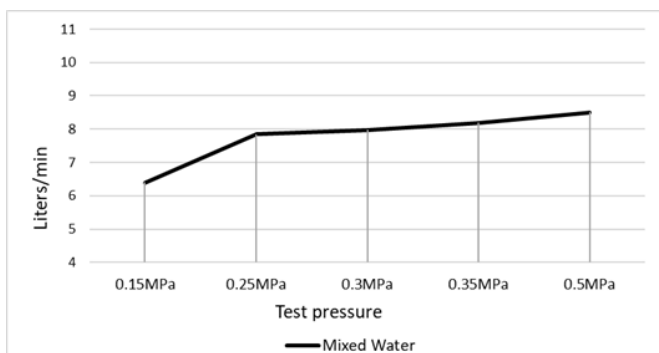
CREDENTIALS

- Watermark AS/NZS3718WMKA25013
- 3-star WELS rated
- 9 litres p/minute
- WELS registration No: S18068

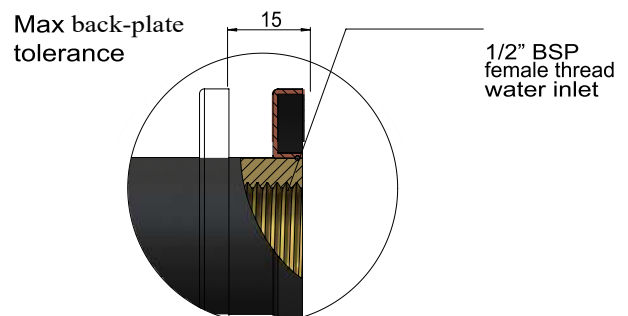
SPECIFICATIONS



FLOW RATE GRAPH



TOLERANCES

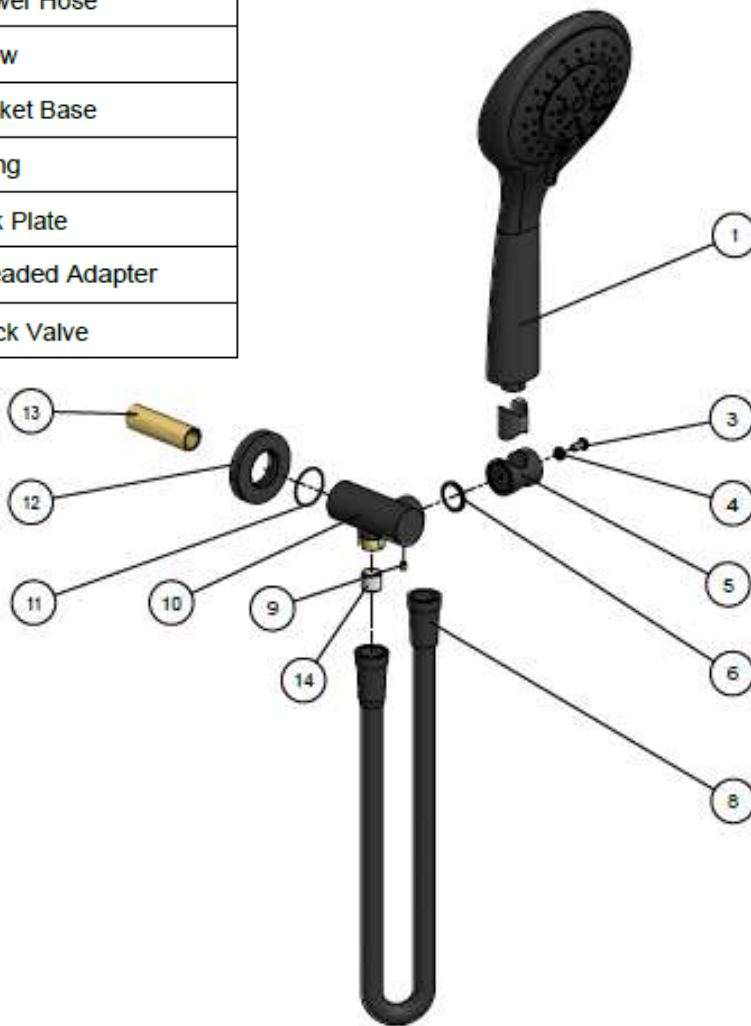


MZ06 HAND SHOWER

meir®

EXPLODED VIEW

No.	Part Name
1	Hand Shower
2	Protective Sleeve
3	Screw
4	Wear-Ring
5	Bracket
6	Wear-Ring
8	Shower Hose
9	Screw
10	Bracket Base
11	O-ring
12	Back Plate
13	Threaded Adapter
14	Check Valve



NOTE: The hose end caps of parts (7,8) are made from a special hardened plastic to prevent the brass mount (5) from scratching.