

Please check actual product in box for bracket type used

# MODERN OBLONG 460X910

## NON-LED MIRROR

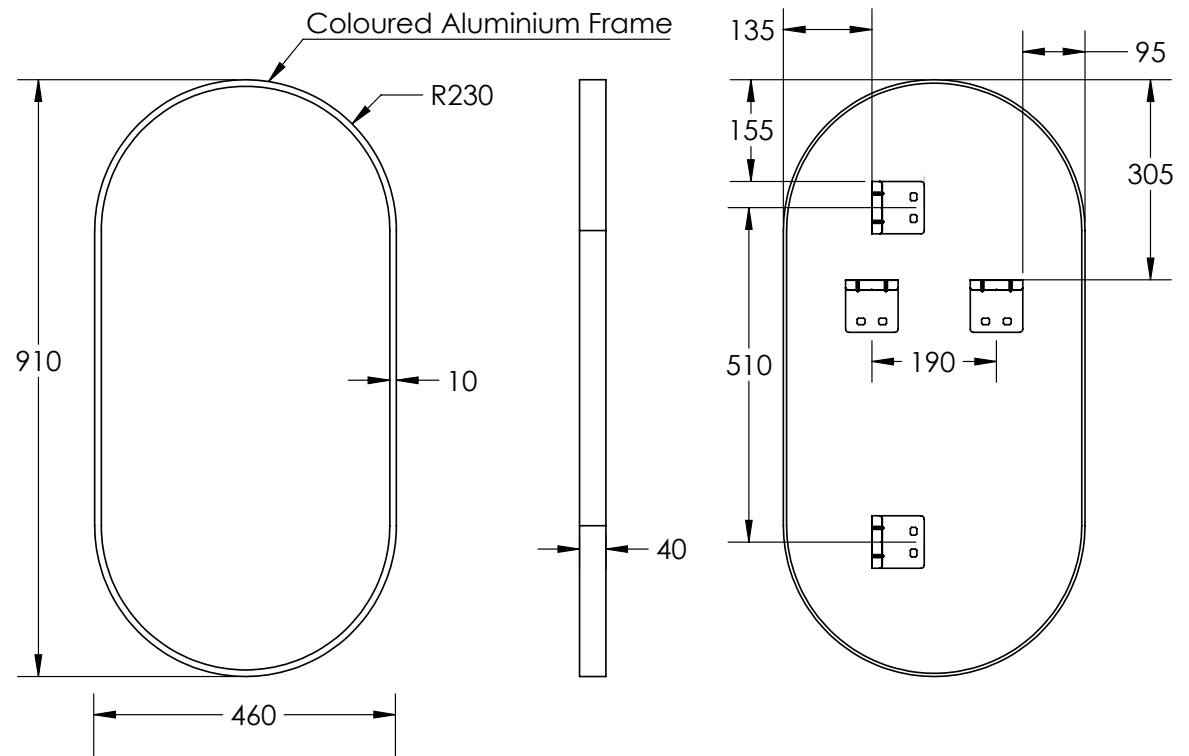
**SPECIFICATIONS**

WIDTH	460mm
HEIGHT	910mm
DEPTH	40mm
WEIGHT	5kg
ORIENTATION	Landscape/Portrait

**FEATURES**

- Copper Free Mirror
- Coloured Aluminium Frame

FINISH		PRODUCT CODE
Brushed Brass		MO4691-BB
Brushed Nickel		MO4691-BN
Gun Metal		MO4691-GM
Matte Black		MO4691-MB
Matte White		MO4691-MW



Disclaimer: All LED Products requiring hardwiring must be installed by a licensed electrician in accordance with local regulations. Sizes are in mm and nominal and should be checked prior to installation. Actual colours may vary so please check colour samples before ordering. Installation is acceptance of our products. Installation of faulty, warped, chipped or damaged products will void our warranty.

Please check actual product in box for bracket type used

# MODERN OBLONG 460X910

## NON-LED MIRROR

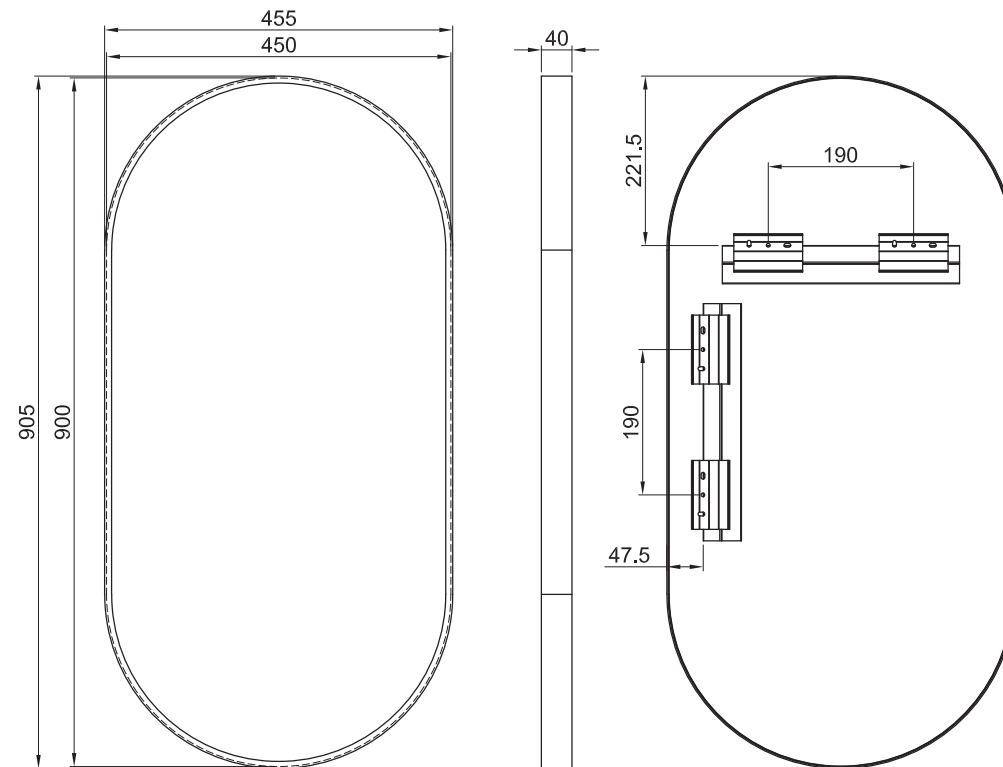
**SPECIFICATIONS**

WIDTH	455mm
HEIGHT	905mm
DEPTH	40mm
WEIGHT	5kg
ORIENTATION	Landscape/Portrait

**FEATURES**

- Copper Free Mirror
- Coloured Aluminium Frame

FINISH		PRODUCT CODE
Brushed Brass		MO4691-BB
Brushed Nickel		MO4691-BN
Gun Metal		MO4691-GM
Matte Black		MO4691-MB
Matte White		MO4691-MW



**5 YEAR**  
REPLACEMENT  
WARRANTY

Disclaimer: All LED Products requiring hardwiring must be installed by a licensed electrician in accordance with local regulations. Sizes are in mm and nominal and should be checked prior to installation. Actual colours may vary so please check colour samples before ordering. Installation is acceptance of our products. Installation of faulty, warped, chipped or damaged products will void our warranty.