

PEARL 900

LED SHAVING CABINET

FINISH

White Aluminium

PRODUCT CODE

P90D

SPECIFICATIONS

WIDTH	900mm
HEIGHT	900mm
DEPTH	146mm
WEIGHT	26kg

LIGHTING SPECIFICATIONS

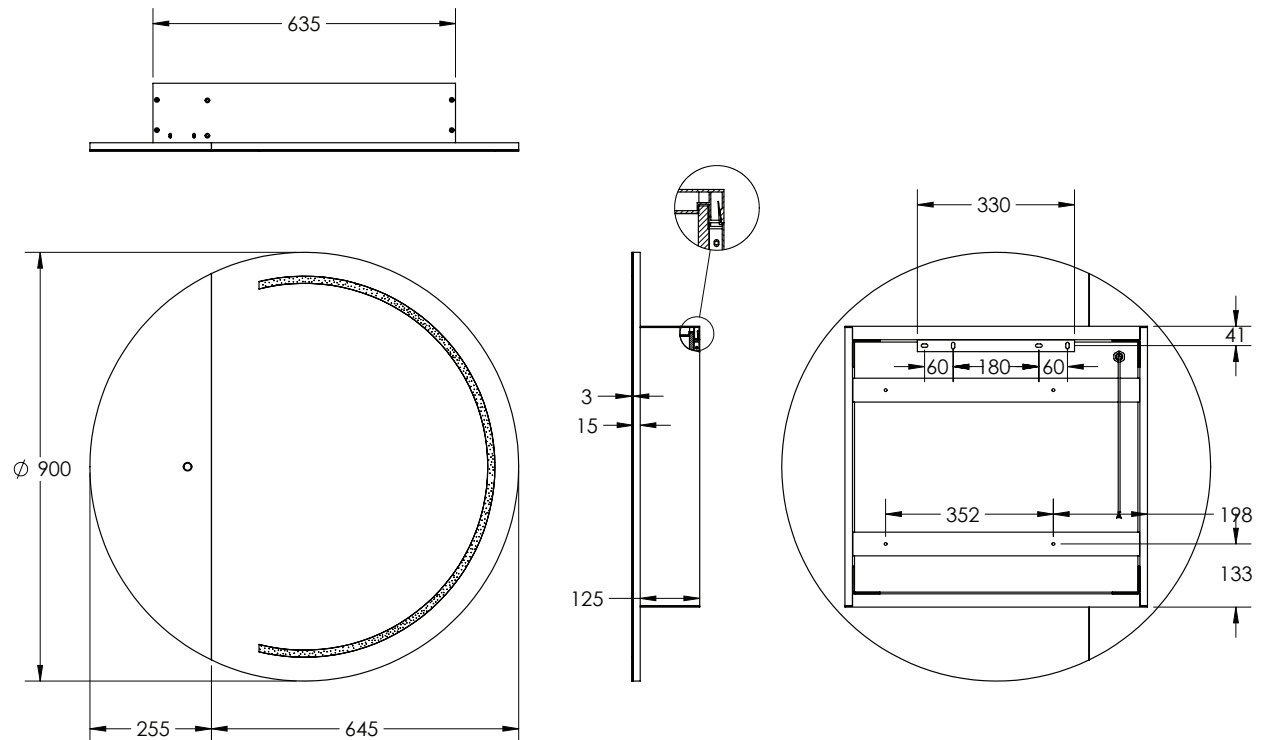
CCT	6500K – daylight
CRI	>80

INSTALLATION

- Wall mount
- Hardwired
- Input voltage: 220-240v 50Hz
- Includes wall mount split batten
- Mounting holes are provided for semi-recessed mounting
- Fully reversible

FEATURES

- Copper Free Mirror
- LED Lighting (6500K)
- Frontlit
- Touch Sensor
- Demister
- Soft Close
- Concealed Wire Technology
- Adjustable Glass Shelves
- Single-Sided Mirror Door
- Semi-recessable
- Fully Reversible



5 YEAR
REPLACEMENT
WARRANTY

Disclaimer: All LED Products requiring hardwiring must be installed by a licensed electrician in accordance with local regulations. Sizes are in mm and nominal and should be checked prior to installation. Actual colours may vary so please check colour samples before ordering. Installation is acceptance of our products. Installation of faulty, warped, chipped or damaged products will void our warranty.

13-15 Edison Road, Dandenong South VIC 3175
T (03) 9706 6663 E sales@remer.com.au W remer.com.au