

1

Drill two horizontally spaced 6mm holes, at a distance indicated in the diagram.

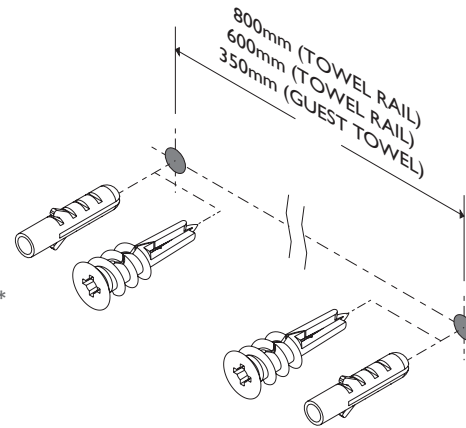
INSTALLATION ON TILES:

Push in Wall Plugs.

INSTALLATION ON PLASTERBOARD*:

Carefully screw in Plasterboard* Anchors until the face is flush with the finished wall.

* Maximum 15mm thickness.



2

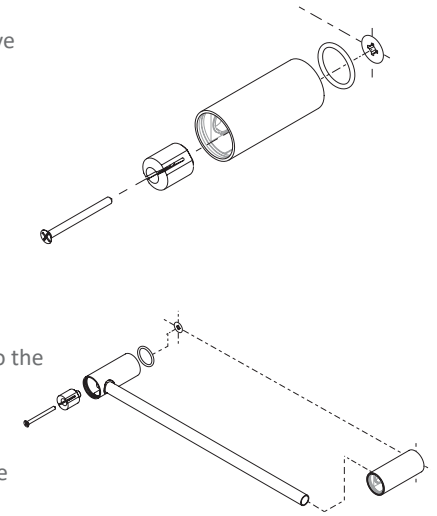
A. Place the O-ring in the groove behind the pillar.

B. Feed the Screw through the Mounting Boss, and then through the Pillar.

C. Fasten the Pillar to the wall, ensuring the Rail hole is facing the correct direction.

D. Feed one end of the Rail into the second Pillar and into the previously mounted Pillar.

E. Repeat Steps A to C to secure the second Pillar.



3

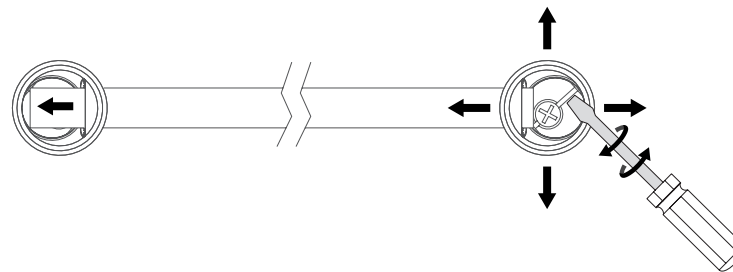
LEVEL & WIDTH ADJUSTMENT

Move the Rail to one side so that you can see one of the Screws.

Slightly loosen the Screw.

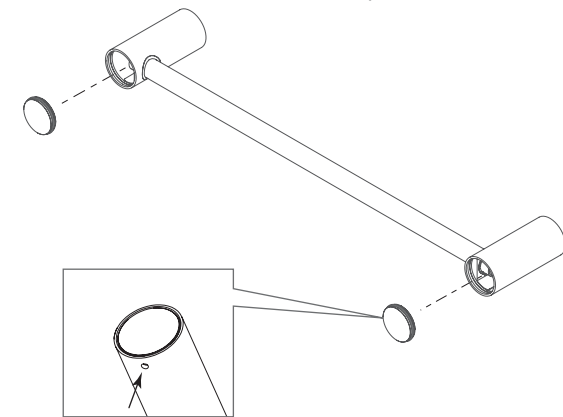
With a Flat-head Screwdriver, adjust the Mounting Boss position.

Tighten the Screw.



4

Push End Caps on to the Pillars.



To remove cap, place pin or wire into hole shown and push firmly.

WARRANTY:

Please refer to the full warranty statement enclosed with the product before installing.

MAINTENANCE AND CARE:

- Chrome plated surfaces should be cleaned with mild liquid detergent or soap and water.
- Do not use cream cleaners or citrus based cleaning products, as they are abrasive.
- Use of unsuitable cleaning agents may damage the surface. Any damage caused in this way will not be covered by warranty.

DISCLAIMER:

While we aim to ensure the specifications shown are correct at the time of printing, we reserve the right to make modifications without prior notice. Always use the physical product measurements for mark-ups and roughing-in as the line drawing shown may differ from the actual product over time.

This product is suitable for all construction methods; Timber, brick, rammed earth etc - Provided it is installed to the guidelines specified in this instruction.

*All measurements are shown in millimeters.