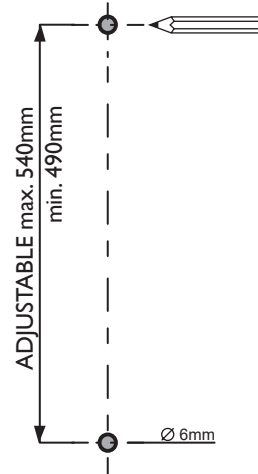
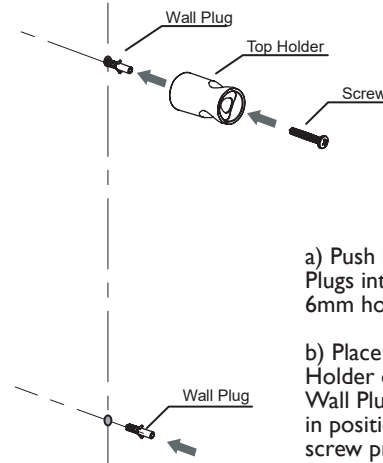


1

- a) Measure and mark desired mounting positions.
- b) Drill mounting holes with 6mm drill bit.

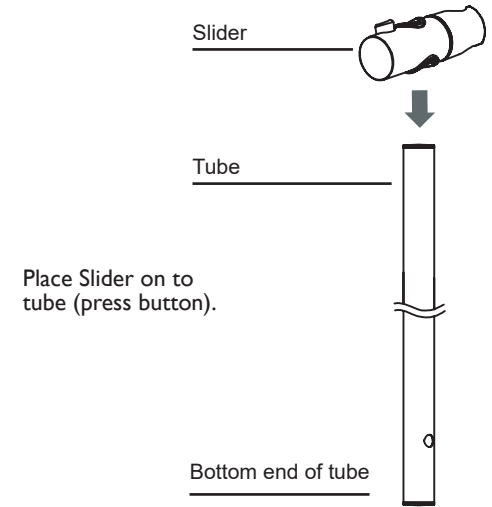


2



- a) Push both Wall Plugs into each 6mm hole.
- b) Place top Holder over top Wall Plug and fix in position with screw provided.

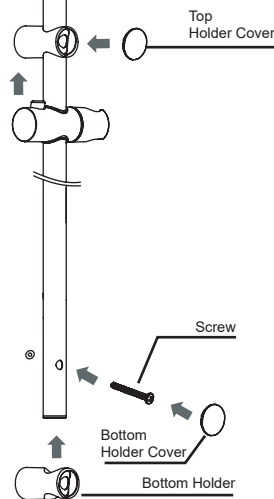
3



Place Slider on to tube (press button).

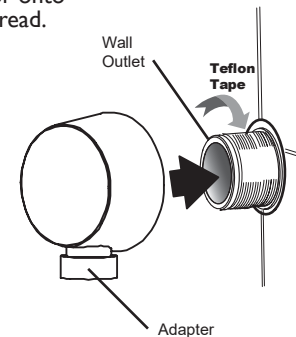
4

- a) Slide the Tube into top Holder. Then fit Bottom Holder over tube and fix in place with screw into wall plug.
- b) Push Holder covers onto Holders



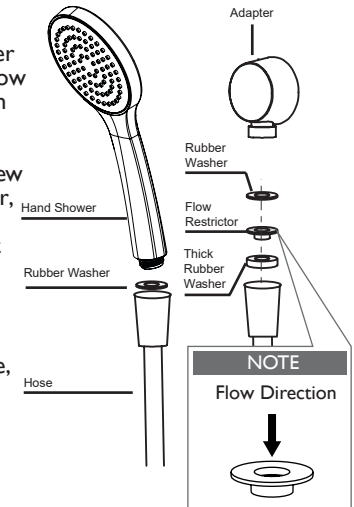
5

- a) Apply teflon tape to Water Outlet thread.
- b) Fasten Adaptor onto Water Outlet thread.



6

- a) Ensure Rubber Washers and Flow Restrictor are in place as shown.
- b) Carefully screw Hose to Adaptor, ensuring flow restrictor is not damaged in the process.
- c) Screw Hand Shower to Hose, tighten firmly.



recommended working pressure
150-500KPa
maximum hot water temperature
75 degrees

NOTE:

- If the pressure exceeds or is likely to exceed 550kpa, an approved pressure limiting device must be installed.
- Flush out all pipe work prior to installation.
- If the water temperature exceeds 75°C, an approved tempering valve must be fitted.
- Installation should comply with Australian standard AS3500.1 or relevant local authority requirements. Showers may not be suitable for use within:
 - Gravity-fed water systems

- Some instantaneous hot water systems; or
 - Pressure supply less than 150kPa;
- NOTE: The 500kPa maximum water supply pressure does not apply to fire service outlets.

Failure to comply with the above may void all warranties.

WARRANTY:

Please refer to the full warranty statement enclosed with the product before installing.

MAINTENANCE AND CARE:

- Chrome plated surfaces should be cleaned with mild liquid detergent or soap and water.
- Do not use cream cleaners or citrus based cleaning products, as they are abrasive.
- Use of unsuitable cleaning agents may damage the surface. Any damage caused in this way will not be covered by warranty.

DISCLAIMER:

While we aim to ensure the specifications shown are correct at the time of printing, we reserve the right to make modifications without prior notice. Always use the physical product measurements for mark-ups and roughing-in as the line drawing shown may differ from the actual product over time.

*All measurements are shown in millimeters.