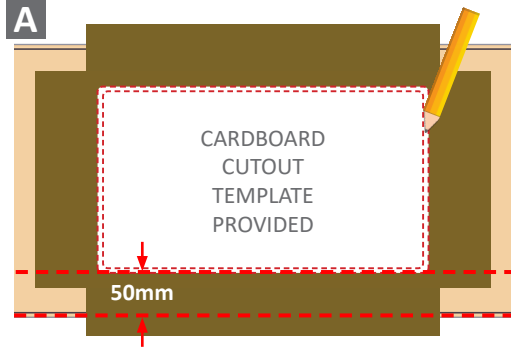


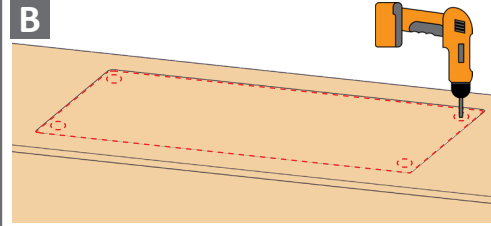
BENCHTOP PREPARATION



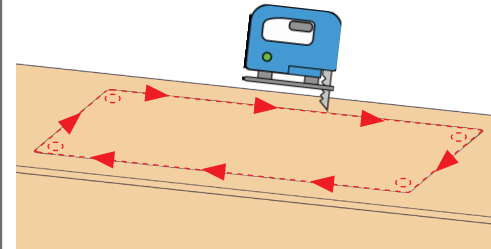
Using the sink template provided, draw a cutting line on the worktop.

The recommended minimum distance from the edge of the opening to the front edge of the worktop is 50mm.

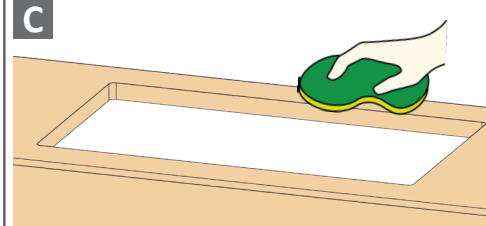
NOTE: Using the actual sink, double check dimensions.



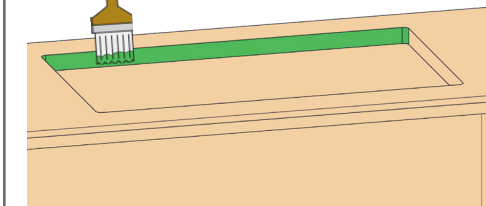
Drill pilot holes in the corners.



Using a suitable tool, cut a hole in the in the benchtop along the marked out lines.



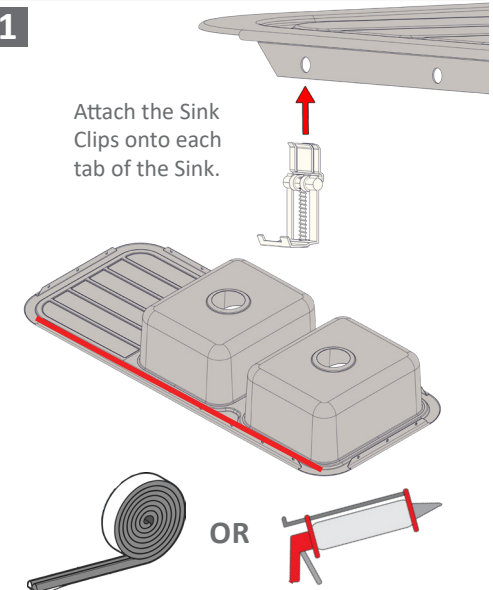
Scrub surface with a cloth/sponge, removing any dirt and dust before installing the sink.



Seal the cut surfaces using caulk if required.

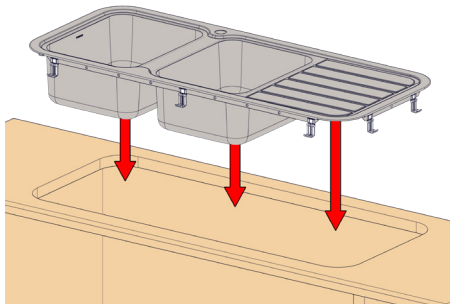
1

Attach the Sink Clips onto each tab of the Sink.



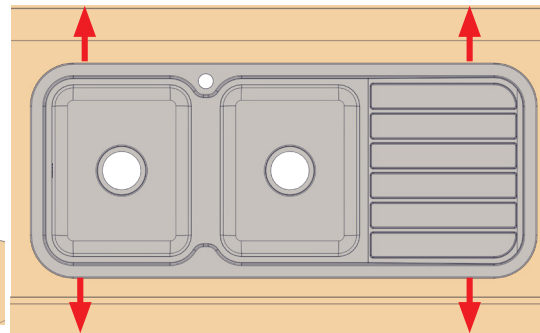
Apply adhesive sealant Tape OR Silicone under the sink to ensure a tight seal.

2

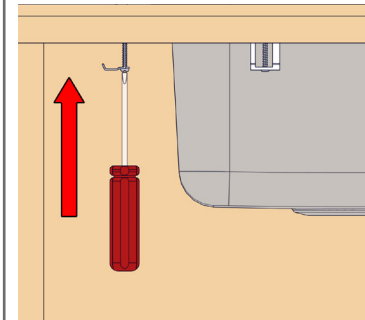


Carefully drop the sink into the cutout hole in the benchtop.

Ensure the sink is aligned with the edges of the benchtop.

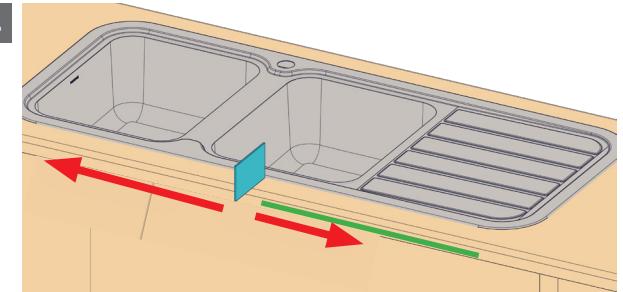


3



Tighten the Sink Clips using a screwdriver

4



Carefully trim, or use a card to remove any excess sealant around the edges of the sink. (If Applicable)

Allow Sink to rest for recommended curing time of sealant before use.

Install wastes where possible.

WARRANTY:

Please refer to the full warranty statement enclosed with the product before installing.

MAINTENANCE AND CARE:

- Metal surfaces should be cleaned with mild liquid detergent or soap and water.
- Do not use cream cleaners or citrus based cleaning products, as they are abrasive.
- Use of unsuitable cleaning agents may damage the surface. Any damage caused in this way will not be covered by warranty.

DISCLAIMER:

While we aim to ensure the specifications shown are correct at the time of printing, we reserve the right to make modifications without prior notice. Always use the physical product measurements for mark-ups and roughing-in as the line drawing shown may differ from the actual product over time.

*All measurements are shown in millimeters.