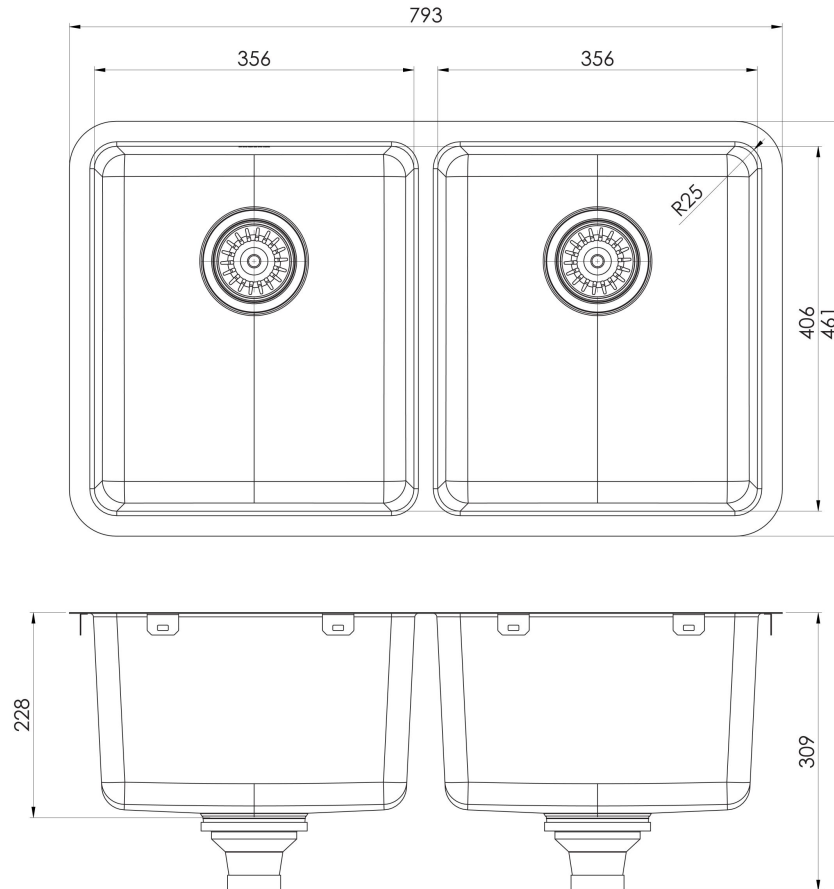


2000 SERIES SINKS

2000 SERIES DOUBLE BOWL SINK

SPECIFICATIONS



AVAILABLE IN



303-2002-51
Stainless Steel

INFORMATION

MAINTENANCE AND CARE:

- All surfaces should be cleaned with mild liquid detergent or soap and water.
- Do not use cream cleaners or citrus based cleaning products, as they are abrasive.
- Use of unsuitable cleaning agents may damage the surface.
- Any damage caused in this way will not be covered by warranty.

33 litre capacity each bowl

Please visit <https://www.phoenixtapware.com.au/warranty> to view the full warranty