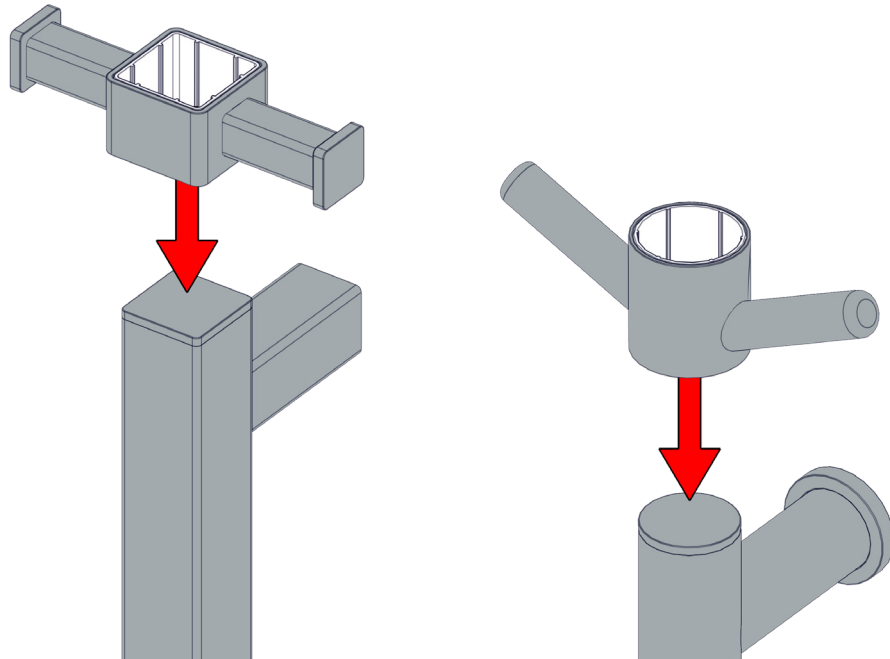


1

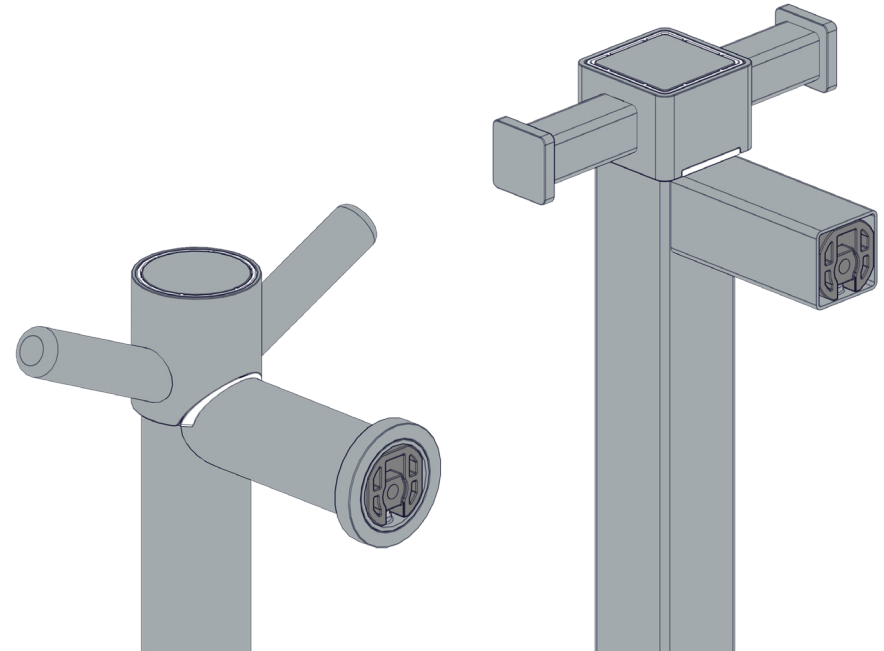
Front View



Push on Robe Hooks until flush with rail.

2

Back View



WARRANTY:

Please refer to the full warranty statement enclosed with the product before installing.

MAINTENANCE AND CARE:

- Metal surfaces should be cleaned with mild liquid detergent or soap and water.
- Do not use cream cleaners or citrus based cleaning products, as they are abrasive.
- Use of unsuitable cleaning agents may damage the surface. Any damage caused in this way will not be covered by warranty.

SAFETY:

It is advised to have a qualified electrician install and test heated accessories in compliance with the latest local regulations. We recommend installing heated accessories onto a level wall, ensuring that the bottom is at least 600mm from the floor, and maintaining a 300mm clearance from permanent fixtures.

To prevent any potential hazards, the manufacturer, its service agent, or similarly qualified individuals must replace the damaged supply cable.

- Make sure that the transformer is easily reachable and has sufficient ventilation.
- Make sure that timers or switches are installed in the appropriate zones based on the IP rating of the timer/switch.
- The towel rail is to be installed so that switches and other controls cannot be touched by a person in the bath or shower.
- When placing the heated accessory in damp areas, carefully follow and comply with electrical guidelines.

- Refrain from placing the heated accessory into any liquid, avoiding complete immersion.

- Make sure to safeguard your heated accessory by using an appropriately rated RCD circuit.

- Make sure that when multiple rails are connected to individual transformers, they are wired in parallel to the switch /timer.

- It is essential to closely supervise children to ensure they do not engage in play with the appliance.

- Make sure the transformer is positioned within a maximum distance of 2 meters from the heated accessory.

- Do not use the accessory to support towels or any other items that have come into contact with oil, petroleum-based products, or dry cleaning fluids.

- Unless supervised or instructed by a responsible person regarding its usage and safety, individuals (including children) with reduced physical, sensory, or mental capabilities, or those lacking experience and knowledge, should refrain from using the appliance.

DISCLAIMER:

While we aim to ensure the specifications shown are correct at the time of printing, we reserve the right to make modifications without prior notice. Always use the physical product measurements for mark-ups and roughing-in as the line drawing shown may differ from the actual product over time.

This product is suitable for all construction methods; Timber, brick, rammed earth etc -Provided it is installed to the guidelines specified in this instruction.

*All measurements are shown in millimeters.