

## PRODUCT SPECIFICATIONS

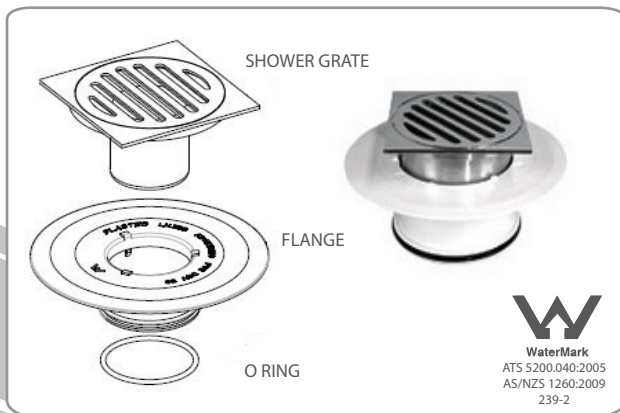
### MAXI WASTE SWIVEL SYSTEM - RUBBER RING JOINT (RRJ) BRASS SLOTTED GRATE - SQUARE



Our Maxi Waste Swivel Systems provide a unique, hassle free method of leak control. This product will ensure that your grate sits level by supporting the floor waste through various degrees of vertical and pivot movement.

Our systems have been designed with an ultra-slim outer perimeter flange which promotes adhesion to the waterproof membrane.

#### FEATURES

- Ability to adjust vertical height of grate eliminates need for cutting.
- Pivot movement of up to 5 degrees.
- Slim line grate inlet accommodates situations where no tile bed is required or can be extended to fit tile beds of up to 40mm.
- The Maxi Waste Swivel System is also available with a brass square slotted grate, a plastic grate or as a solvent weld outlet.



ID	 mm	FINISH	
12210	80 x 50	CHROME	35
12212	80 x 80	CHROME	38
16764	100 x 50	CHROME	20
12214	100 x 100	CHROME	20

NOTE: (a) Minimum grate height 6mm from floor level.  
(b) Maximum grate height 40mm from floor level.  
(c) Swivel Top movement of 5 degrees.

