

PAN CONNECTORS
HIGH RISE - FLEXI FIN 40MM OFFSET
PRODUCT ID: 14750 & 14756

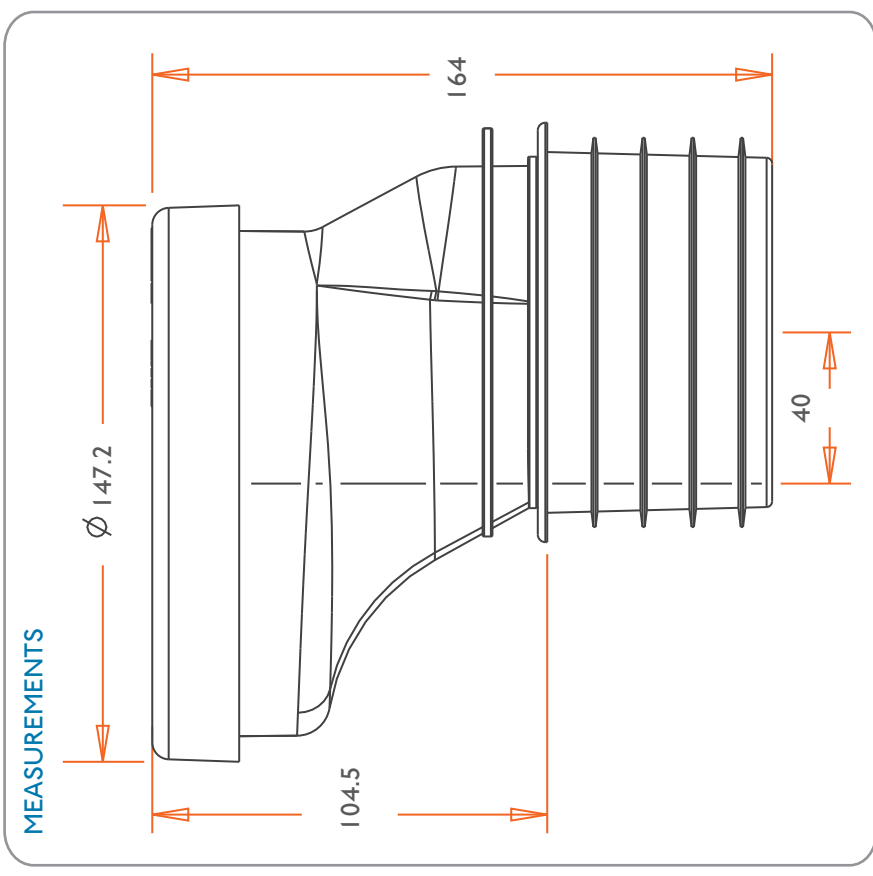
- High rise reduces the risk of siphonage and may need to be recessed into the floor.
- No need to solvent weld, push into pipe.



14750



14756



NOTES:

- ENSURE THAT THE OUTLET OF THE WC DOES NOT COME INTO CONTACT WITH THE BASE OF THE PAN CONNECTOR BODY.
- PLASTEC DOES NOT RECOMMEND THE INSTALLATION OF OFFSET PAN CONNECTORS TO P TRAP INSTALLATIONS AND SUCH USE WILL VOID WARRANTY.

ID	INLET DIA	CARTON QTY
14750	100 DWV	33
14756	110 HDPE/CU	33