

TWIST TOP FLOOR WASTE SYSTEMS - RECESSED

PRODUCT SPECIFICATIONS

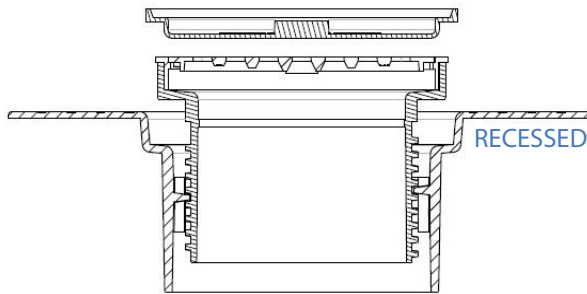


ID	D mm		MEASUREMENTS		
			a.	b.	
ROUND - CHROME					
12270	80MMx50MM	SOLVENT WELD	168mm	85mm	30
12271	80MMx80MM	SOLVENT WELD	168mm	85mm	35
12272*	100MMx50MM	SOLVENT WELD	220mm	110mm	25
12273	100MMx80MM	SOLVENT WELD	220mm	110mm	24
12274	100MMx100MM	SOLVENT WELD	220mm	110mm	25
ROUND - CHROME					
12300	80MMx50MM	RUBBER RING JOINT	168mm	85mm	25
12301	80MMx80MM	RUBBER RING JOINT	168mm	85mm	20
12302	100MMx100MM	RUBBER RING JOINT	220mm	110mm	24

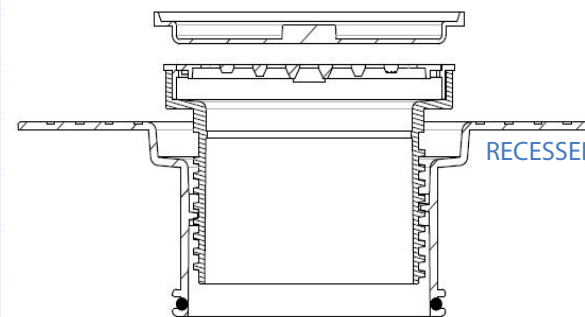
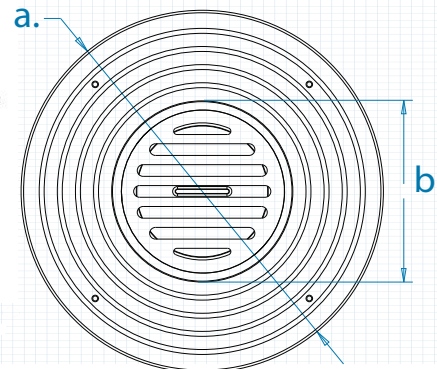
* 12272 - IS A SOCKET FITTING. ALL OTHERS ARE A SPIGOT

ID	D mm		MEASUREMENTS		
			a.	b.	
SQUARE - CHROME					
14918	80MMx50MM	SOLVENT WELD	168mm	85mm	30
14919	80MMx80MM	SOLVENT WELD	168mm	85mm	40
16759*	100MMx50MM	SOLVENT WELD	220mm	110mm	25
16758	100MMx80MM	SOLVENT WELD	220mm	110mm	30
15229	100xMM100MM	SOLVENT WELD	220mm	110mm	25
SQUARE - CHROME					
15231	80MMx50MM	RUBBER RING JOINT	168mm	85mm	25
15232	80MMx80MM	RUBBER RING JOINT	168mm	85mm	37
15230	100MMx100MM	RUBBER RING JOINT	220mm	110mm	24

* 16759 - IS A SOCKET FITTING. ALL OTHERS ARE A SPIGOT



RECESSED



RECESSED

