



PLASTEC

PRODUCT SPECIFICATIONS

SWIVEL & EXPANSION JOINTS

HDPE COMBINATION JOINTS 80MM EXPANSION

- Allows for 40 degrees inclusive swivel movement
- Allows for 80mm maximum expansion
- Compact fitting

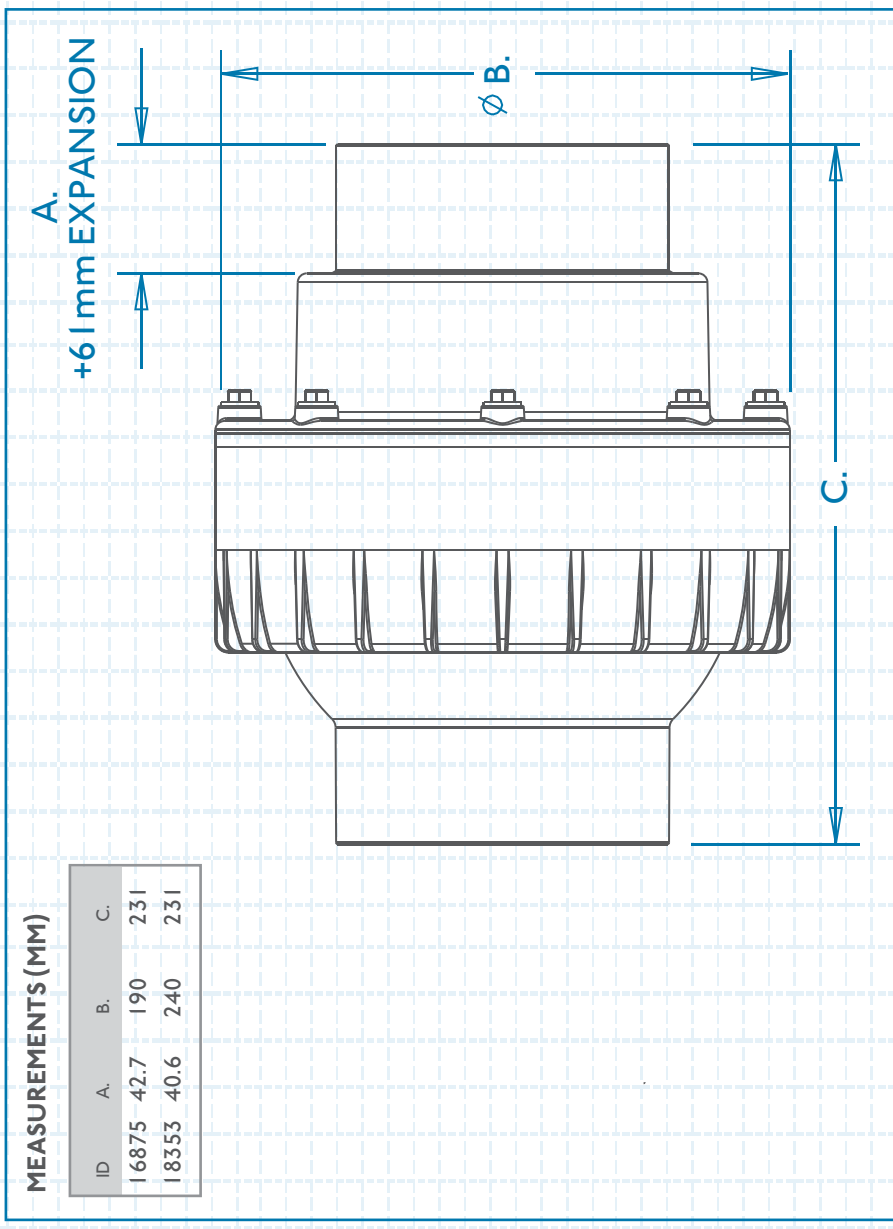


ID	INLET	OUTLET	MAX EXP.
16875	110 Pipe Size	61 Pipe Size	61
18353	160 Pipe Size	61 Pipe Size	3

RELATED PRODUCTS: • DWV 52mm expansion and 120mm expansion Combination Joints also available • HDPE compatible Combination Joints also available.

MEASUREMENTS (MM)

ID	A.	B.	C.
16875	42.7	190	231
18353	40.6	240	231



PH: 07 5413 4444 WWW.PLASTEC.COM.AU

DETAILS CORRECT AT TIME OF PRINTING (25.01.2016), BUT IS SUBJECT TO CHANGE

