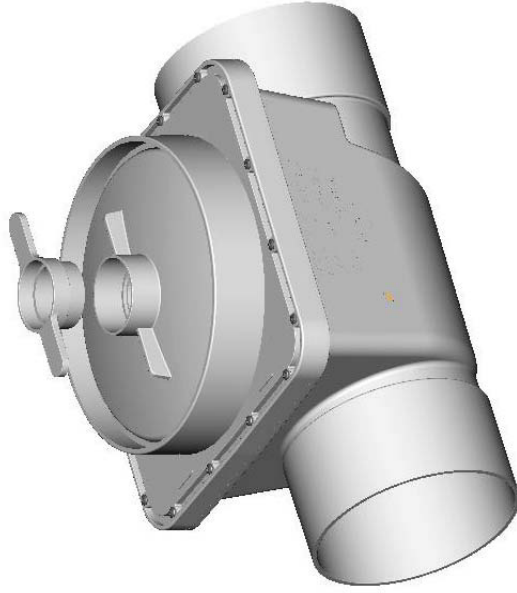




DRAIN WASTEVENT (DWV)

REFLUX VALVES

- No need for additional chamber
- Easy access for replacement of non-return assembly
- Adjustable riser height
- Helps prevent rodents entering through pipes



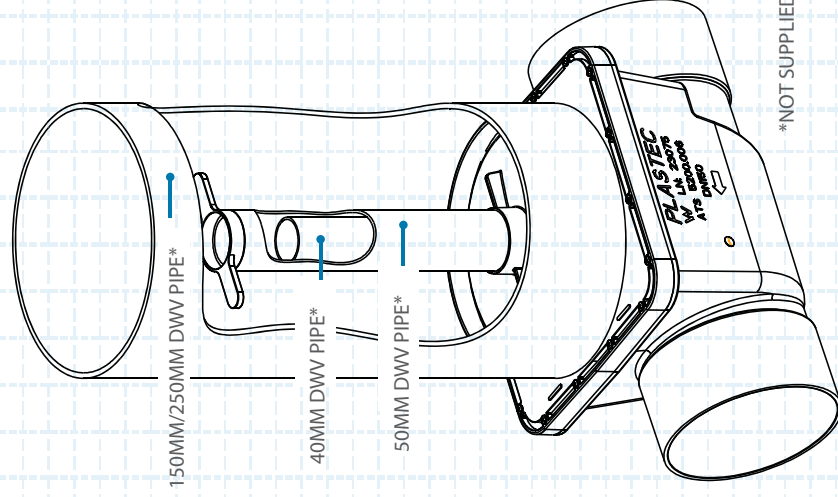
ID		
16662	100	8
17090	150	1

RELATED PRODUCTS (sold separately)

- 150mm Bolted Trap Screw (BTS) 17097, suitable for use with 16662
- 225mm Bolted Trap Screw (BTS) 18111, suitable for use with 17090

PRODUCT SPECIFICATIONS

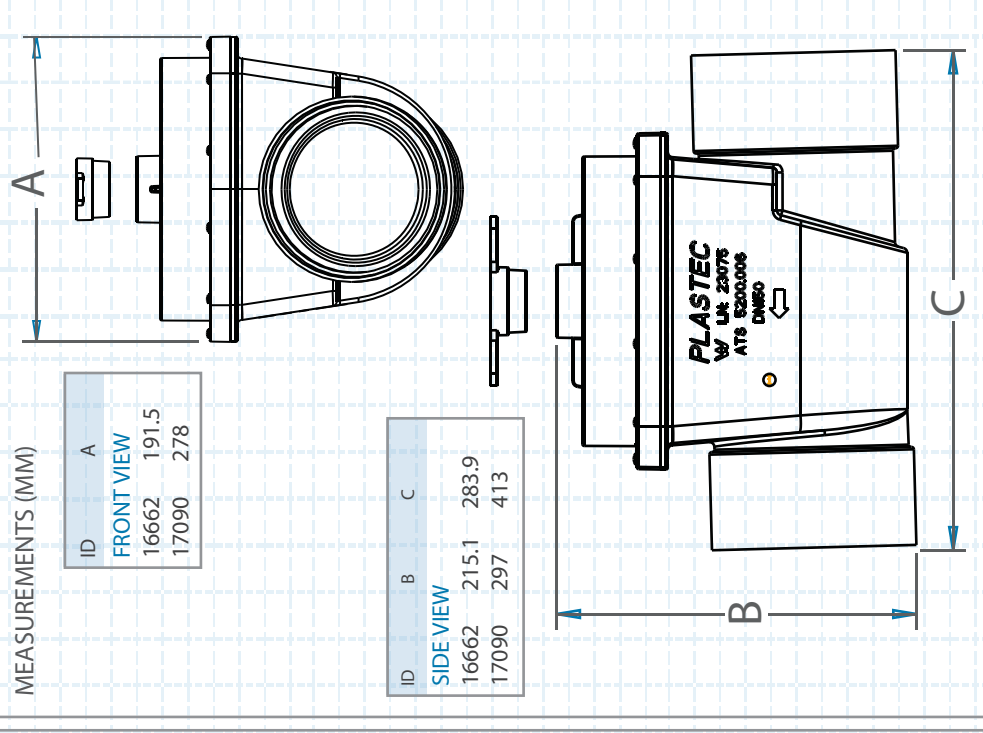
TYPICAL INSTALLATION



MEASUREMENTS (MM)

ID	A
FRONT VIEW	
16662	191.5
17090	278

ID	B	C
SIDE VIEW		
16662	215.1	283.9
17090	297	413



Wasteflark
WWT5006:2005

PH: 07 5413 4444 WWW.PLASTEC.COM.AU

SPECIFICATIONS ARE CORRECT AS AT 07/05/2020 BUT IARE SUBJECT TO CHANGE AT ANYTIME WITHOUT NOTICE.



DIAMETER



FASTENING



BAG QTY



CARTON QTY



FINISH/COLOUR



MEASUREMENT (MM)



PLASTEC