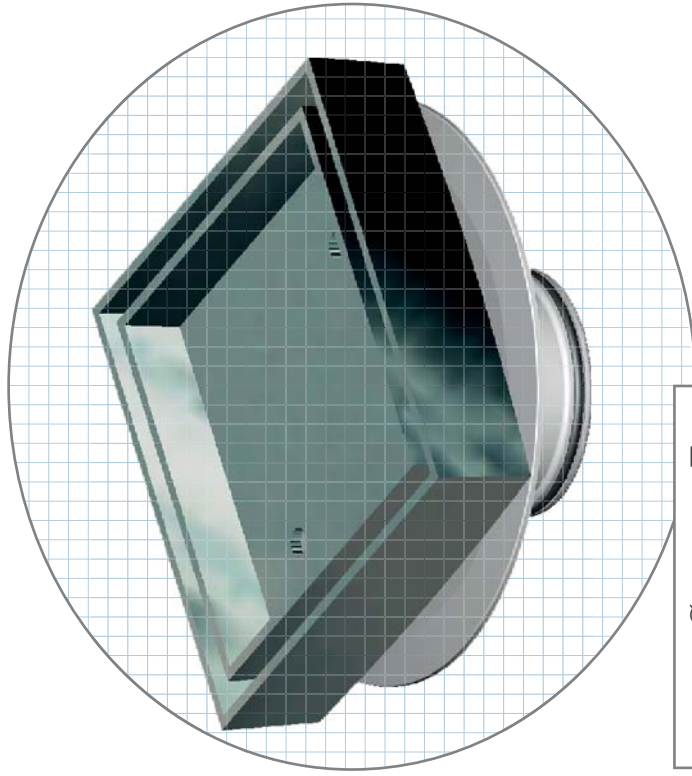


# Versa-Tile Floor Waste

Rubber Ring Joint with Insert-Tile

- No solvent welding required.



ID	Ø (MM)	Insert Tile
18941	50	TBA
18935	80	TBA
18909	100	TBA



**Related Products:**

- Solvent Weld versions available.
- Insert Plate and Insert Grate options also available.

