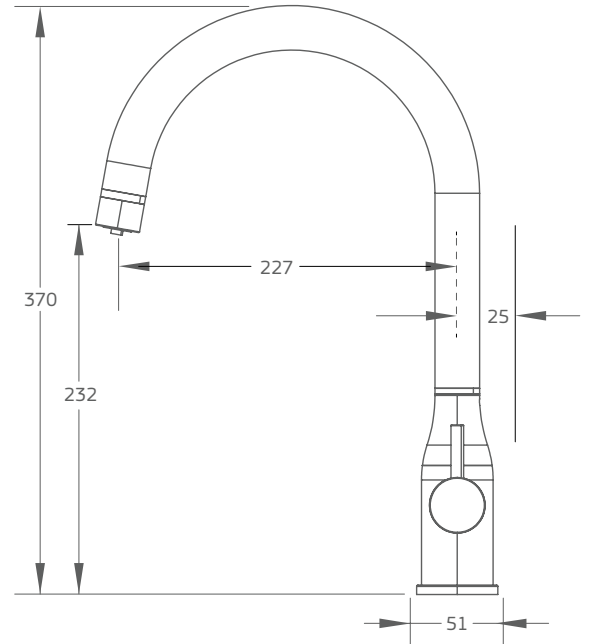


Tripla™ Elite-10 Series

Three-Way Mixer Tap Made From 100% Stainless Steel

TAPWARE



Colour Options



Brushed Gold



Brushed Nickel



Bright Chrome



Gunmetal



Matt Black

Specifications

Description	WELS Rating	Flow Rating	Pressure kPa
-------------	-------------	-------------	--------------

- | | | | |
|---|---|---|--------|
| • 3-in-1 mixer tap | 5 | 5 | 50-500 |
| • 304 stainless steel | | | |
| • Required hole for the tap: 35mm diameter | | | |
| • Connection - 1/2" female for the hot & cold lines, filtered line is a 1/2" male hose provided with a 1/2" BSPF x 1/4" push-fit tube adaptor | | | |

Warranty:

Mixer tap only, filter system not included. Not suitable for unequal pressure. All pictures and information are supplied as a guide only, the product may have degrees of colour variations. On high pressure areas where the pressure exceeds the recommended working pressure as indicated, pressure limiting valves must be installed or warranty is voided.

Residential 15 Year Warranty: Tap warranty is 2 years parts and labour, plus 13 years parts only. Finish warranty is 2 years. Flexible mixer tails are 5 Years warranty. Commercial 2 Year Warranty: Tap warranty is 2 year parts and labour. Finish warranty is 1 year.