

VERSION 1.1

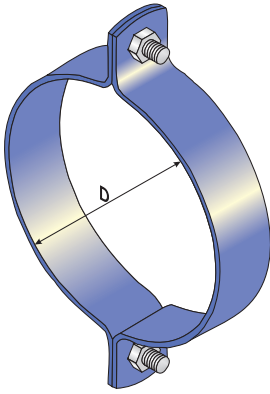
PIPE CLAMPS

DOUBLE BOLTED CLAMPS	2 - 8
SPIDER CLAMPS	9
BAND CLAMPS	10 - 14
BAND CLAMP ATTACHMENTS	11
NUT CLIPS	15 - 22
ACOUSTIC CLIPS	23
SPHERICAL WASHERS	24
HANGER CLEVIS	24
EYEBOLTS	24
BLADE END HANGERS	24
BEAM HANGERS	25
HANGER STIRRUPS	25
EYE NUT	25
ONE PIECE CHANNEL CLIPS	26
FAST CLIP	26
CHANNEL CLIP FOR REFRIGERATION PIPE	26
TWO PIECE CHANNEL CLIPS	26 - 29
F.R.C CLAMPS & SADDLES	30
SADDLE CLAMPS	31 - 32
PEAR BANDS	33
SHANK CLIPS	34
YOKE CLAMPS	34 - 35
CLEVIS HANGERS	36
SLIDE GUIDES	37 - 42
SPIDER GUIDES	43 - 44
RISER GUIDES	45 - 48
ROLLER GUIDES	49 - 53
ANCHORS	54 - 61
PETRO CHEM CLAMPS	62 - 64
GAS RISERS	65 - 67
FERRULES	68
POLYURETHANE BLOCKS	69
FLEXI BLOCKS	70

PLEASE NOTE: ALL MEASUREMENTS ARE MILLIMETRE UNLESS SPECIFIED OTHERWISE



FM120 - STANDARD DOUBLE BOLTED CLAMP FOR STEEL PIPE



FINISH: HDG & PLAIN.
316 SS ON REQUEST

STANDARD SIZES ONLY:
OTHER SIZES AVAILABLE ON REQUEST

FM120R



NEOPRENE LINED PIPE CLAMPS
TO ORDER: APPLY R SUFFIX TO
FM120 CODE e.g FM120R-610

PART NO.	PIPE DIA	D	HOLE CENTRES	BOLT	MATERIAL	BOX QTY
FM120-021	15nb	21	49	M6 x 25	20 x 3	50
FM120-027	20nb	27	55	M6 x 25	20 x 3	50
FM120-034	25nb	34	64	M6 x 25	20 x 3	50
FM120-043	32nb	43	73	M6 x 25	20 x 3	25
FM120-048	40nb	48	78	M6 x 25	20 x 3	25
FM120-060	50nb	60	90	M6 x 25	20 x 3	25
FM120-076	65nb	76	106	M6 x 25	20 x 3	25
FM120-089	80nb	89	119	M6 x 25	20 x 3	20
FM120-115	100nb	115	155	M6 x 25	25 x 5	20
FM120-140	125nb	140	180	M8 x 40	25 x 5	10
FM120-168	150nb	168	208	M12 x 45	40 x 6	5
FM120-220	200nb	220	268	M12 x 45	40 x 6	5
FM120-273	250nb	273	351	M16 x 50	50 x 6	-
FM120-324	300nb	324	402	M20 x 75	50 x 10	-
FM120-355	350nb	355	434	M20 x 75	65 x 10	-
FM120-406	400nb	406	510	M24 x 90	75 x 10	-
FM120-457	450nb	457	567	M24 x 90	75 x 12	-
FM120-508	500nb	508	618	M24 x 90	75 x 16	-
FM120-610	600nb	610	740	M24 x 90	75 x 16	-
FM120-660	650nb	660	790	M24 x 90	100 x 16	-
FM120-711	700nb	711	841	M24 x 90	100 x 16	-
FM120-762	750nb	762	892	M24 x 90	100 x 16	-
FM120-813	800nb	813	973	M30 x 110	100 x 20	-
FM120-864	850nb	864	1024	M30 x 110	100 x 20	-
FM120-914	900nb	914	1074	M30 x 110	130 x 20	-

FM121 - STANDARD DOUBLE BOLTED CLAMP FOR COPPER PIPE

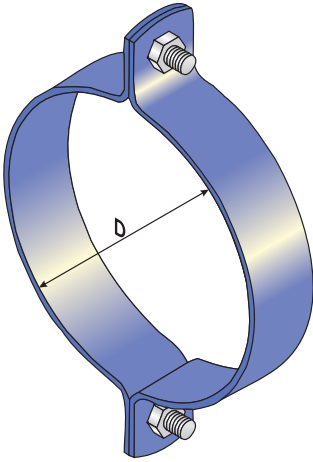


FINISH: POLY BROWN
POLYESTER POWDER COATED

STANDARD SIZES ONLY:
OTHER SIZES AVAILABLE ON REQUEST

PART NO.	PIPE DIA	D	BOLT	MATERIAL	BOX QTY
FM121-015	15cu	12.7	M6 x 25	20 x 3	50
FM121-020	20cu	20	M6 x 25	20 x 3	50
FM121-025	25cu	25	M6 x 25	20 x 3	25
FM121-032	32cu	32	M6 x 25	20 x 3	25
FM121-040	40cu	40	M6 x 25	20 x 3	25
FM121-051	50cu	51	M6 x 25	20 x 3	25
FM121-064	65cu	64	M6 x 25	20 x 3	20
FM121-076	80cu	76	M6 x 25	20 x 3	25
FM121-100	100cu	102	M6 x 25	20 x 3	-
FM121-125	127cu	127	M8 x 40	25 x 5	-
FM121-150	150cu	152	M8 x 40	25 x 5	-
FM121-200	200cu	204	M12 x 45	40 x 6	-

FM6 - LIGHT DUTY DOUBLE BOLTED CLAMP

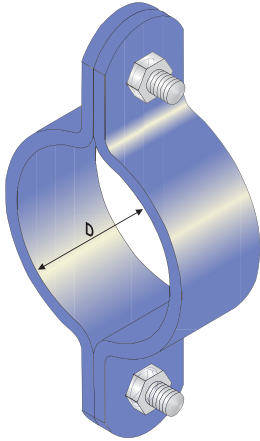


FINISH: HDG,
316 SS ON REQUEST

STANDARD FINISHES ONLY:
OTHER FINISHES AVAILABLE ON REQUEST

PART NO.	PIPE DIA.	D	BOLT	MATERIAL	HOLE CENTRES	BOX QTY
FM6-015	15cu	12.7	M6 x 25	20 x 3	40	50
FM6-020	20cu	19	M6 x 25	20 x 3	49	50
FM6-021	15nb	21	M6 x 25	20 x 3	49	50
FM6-025	25cu	25	M6 x 25	20 x 3	55	50
FM6-027	20cu	27	M6 x 25	20 x 3	55	50
FM6-032	32cu	32	M6 x 25	20 x 3	64	50
FM6-034	25nb	34	M6 x 25	20 x 3	64	50
FM6-038	40cu	38	M6 x 25	20 x 3	68	25
FM6-043	32nb	43	M6 x 25	20 x 3	73	25
FM6-048	40nb	48	M6 x 25	20 x 3	78	25
FM6-051	50cu	51	M6 x 25	20 x 3	81	25
FM6-060	50nb	60	M6 x 25	20 x 3	90	25
FM6-064	65cu	64	M6 x 25	20 x 3	95	25
FM6-076	80cu	76	M6 x 25	20 x 3	106	25
FM6-083	83ns	83	M6 x 25	20 x 3	113	20
FM6-089	80nb	89	M6 x 25	20 x 3	119	20
FM6-102	102cu	102	M6 x 25	20 x 3	132	20
FM6-115	100nb	115	M6 x 25	25 x 5	155	20
FM6-127	125cu	127	M8 x 30	25 x 5	167	10
FM6-140	125nb	140	M8 x 30	25 x 5	180	10
FM6-152	150cu	152	M8 x 30	25 x 5	192	10
FM6-168	150nb	168	M8 x 30	25 x 5	208	10
FM6-178	178ns	178	M8 x 30	25 x 5	215	10
FM6-190	190ns	190	M8 x 30	25 x 5	230	10
FM6-203	200cu	204	M8 x 30	25 x 5	243	10
FM6-220	200nb	220	M8 x 30	25 x 5	260	10
FM6-228	228ns	228	M8 x 30	25 x 5	268	10
FM6-240	240ns	240	M8 x 30	25 x 5	280	10
FM6-252	252ns	252	M8 x 30	25 x 5	290	10

FM16 - MEDIUM DUTY DOUBLE BOLTED CLAMP

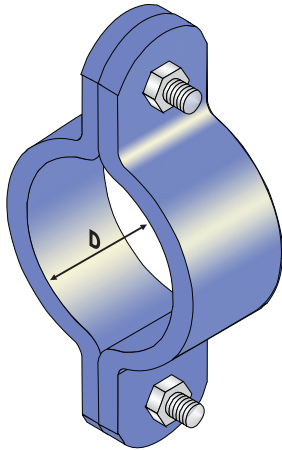


FINISH: HDG, 316 SS

STANDARD FINISHES ONLY:
OTHER FINISHES AVAILABLE ON REQUEST

PART NO.	PIPE DIA.	D	HOLE CENTRES	BOLT	MATERIAL	BOX QTY
FM16-048	40nb	48	96	M12 x 45	40 x 6	20
FM16-051	50cu	51	99	M12 x 45	40 x 6	20
FM16-060	50nb	60	108	M12 x 45	40 x 6	10
FM16-064	65cu	64	112	M12 x 45	40 x 6	10
FM16-076	80cu	76	124	M12 x 45	40 x 6	10
FM16-089	80nb	89	137	M12 x 45	40 x 6	10
FM16-102	100cu	102	150	M12 x 45	40 x 6	10
FM16-115	100nb	115	163	M12 x 45	40 x 6	10
FM16-127	125cu	127	175	M12 x 45	40 x 6	5
FM16-140	125nb	140	188	M12 x 45	40 x 6	5
FM16-152	152cu	152	200	M12 x 45	40 x 6	5
FM16-168	150nb	168	216	M12 x 45	40 x 6	5
FM16-178	178ns	178	223	M12 x 45	40 x 6	5
FM16-190	190ns	190	238	M12 x 45	40 x 6	5
FM16-203	200cu	203	251	M12 x 45	40 x 6	5
FM16-220	200nb	220	268	M12 x 45	40 x 6	5
FM16-228	228ns	228	276	M12 x 45	40 x 6	5
FM16-240	240ns	240	288	M12 x 45	40 x 6	5
FM16-252	250cu	252	300	M12 x 45	40 x 6	5
FM16-275	250nb	275	323	M12 x 45	40 x 6	5
FM16-304	300cu	304	352	M12 x 45	40 x 6	5
FM16-315	315ns	315	363	M12 x 45	40 x 6	5
FM16-324	300nb	324	372	M12 x 45	40 x 6	5

FM31 - HEAVY DUTY DOUBLE BOLTED PIPE CLAMP

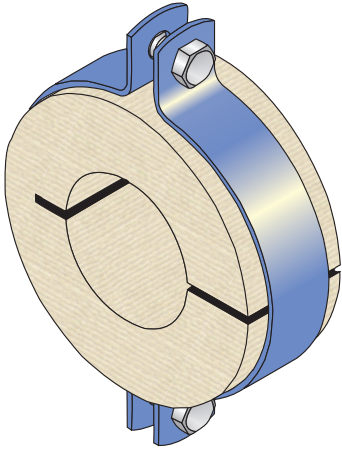


FINISH: HDG

STANDARD FINISHES ONLY:
OTHER FINISHES AVAILABLE ON REQUEST

PART NO.	PIPE DIA.	D	HOLE CENTRES	BOLT	MATERIAL	BOX QTY
FM31-168	150nb	168	254	M20 x 75	75 x 10	1
FM31-220	200nb	219	305	M20 x 75	75 x 10	1
FM31-273	250nb	273	359	M20 x 75	75 x 10	1
FM31-324	300nb	324	410	M20 x 75	75 x 10	1
FM31-356	350nb	357	448	M20 x 75	75 x 10	1
FM31-406	400nb	408	498	M24 x 90	75 x 10	1
FM31-457	450nb	457	585	M24 x 90	75 x 12	1
FM31-508	500nb	508	636	M24 x 90	75 x 16	1
FM31-610	600nb	610	738	M24 x 90	75 x 16	1

FM122 - DOUBLE BOLTED CLAMP AND FERRULE FOR STEEL PIPE



FM122 - TIMBER FERRULE
eg: **FM122-015A**

FB122 - FLEXIBLOCK
eg: **FB122-015A**

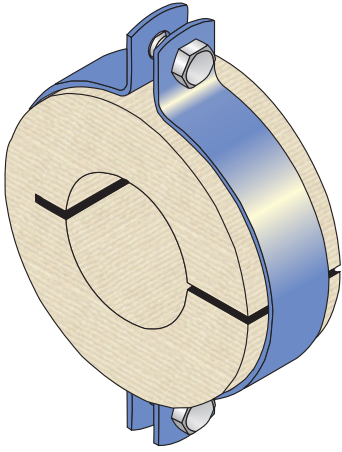
FINISH: HDG & PLAIN

STANDARD SIZES SHOWN:
OTHER SIZES AVAILABLE ON REQUEST

13mm 19mm 100mm INSULATIONS

PART NO.	PIPE DIA.	INS.	FERRULE DIA	FERRULE WIDTH	MATERIAL
FM122-015A	15nb	25	21 x 73	40	20 x 3
FM122-015B		38	21 x 102		20 x 3
FM122-015C		50	21 x 127		25 x 5
FM122-015G		63	21 x 152		25 x 5
FM122-015H		75	21 x 178		25 x 5
FM122-020A	20nb	25	27 x 76	40	20 x 3
FM122-020B		38	27 x 102		20 x 3
FM122-020C		50	27 x 127		25 x 5
FM122-020G		63	27 x 152		25 x 5
FM122-020H		75	27 x 178		25 x 5
FM122-025A	25nb	25	34 x 83	40	20 x 3
FM122-025B		38	34 x 115		25 x 3
FM122-025C		50	34 x 140		25 x 5
FM122-025G		63	34 x 165		25 x 5
FM122-025H		75	34 x 190		25 x 5
FM122-032A	32nb	25	43 x 89	40	20 x 3
FM122-032B		38	43 x 115		25 x 3
FM122-032C		50	43 x 140		25 x 5
FM122-032G		63	43 x 168		25 x 5
FM122-032H		75	43 x 190		25 x 5
FM122-040A	40nb	25	48 x 102	40	20 x 3
FM122-040B		38	48 x 127		25 x 5
FM122-040C		50	48 x 152		25 x 5
FM122-040G		63	48 x 178		25 x 5
FM122-040H		75	48 x 203		25 x 5
FM122-050A	50nb	25	60 x 115	40	25 x 3
FM122-050B		38	60 x 140		25 x 5
FM122-050C		50	60 x 165		25 x 5
FM122-050G		63	60 x 190		25 x 5
FM122-050H		75	60 x 203		25 x 5
FM122-065A	65nb	25	73 x 127	40	25 x 5
FM122-065B		38	73 x 152		25 x 5
FM122-065C		50	73 x 178		25 x 5
FM122-065G		63	73 x 203		25 x 5
FM122-065H		75	73 x 228		25 x 5
FM122-080A	80nb	25	89 x 140	40	25 x 5
FM122-080B		38	89 x 165		25 x 5
FM122-080C		50	89 x 190		25 x 5
FM122-080G		63	89 x 220		25 x 5
FM122-080H		75	89 x 240		25 x 5
FM122-100A	100nb	25	115 x 165	40	25 x 5
FM122-100B		38	115 x 190		25 x 5
FM122-100C		50	115 x 220		25 x 5
FM122-100G		63	115 x 240		25 x 5
FM122-100H		75	115 x 268		40 x 6
FM122-125A	125nb	25	140 x 190	40	25 x 5
FM122-125B		38	140 x 220		25 x 5
FM122-125C		50	140 x 240		25 x 5
FM122-125G		63	140 x 268		40 x 6
FM122-125H		75	140 x 303		40 x 6

FM122 - DOUBLE BOLTED CLAMP AND FERRULE FOR STEEL PIPE



FM122 - TIMBER FERRULE
eg: **FM122-015A**

FB122 - FLEXIBLOCK
eg: **FB122-015A**

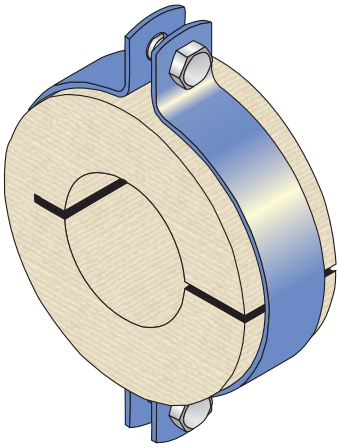
FINISH: HDG & PLAIN

STANDARD SIZES SHOWN:
OTHER SIZES AVAILABLE ON REQUEST

13mm 19mm 100mm INSULATIONS

PART NO.	PIPE DIA.	INS.	FERRULE DIA	FERRULE WIDTH	MATERIAL
FM122-150A	150nb	25	168 x 220	40	40 x 6
FM122-150B		38	168 x 240		40 x 6
FM122-150C		50	168 x 268		40 x 6
FM122-150G		63	168 x 300		40 x 6
FM122-150H		75	168 x 324		40 x 6
FM122-200A	200nb	25	220 x 275	40	40 x 6
FM122-200B		38	220 x 300		40 x 6
FM122-200C		50	220 x 324		40 x 6
FM122-200G		63	220 x 355		40 x 6
FM122-200H		75	220 x 375		40 x 6
FM122-250A	250nb	25	273 x 324	80	50 x 6
FM122-250B		38	273 x 355		50 x 6
FM122-250C		50	273 x 375		50 x 6
FM122-250G		63	273 x 406		50 x 6
FM122-250H		75	273 x 424		50 x 6
FM122-300A	300nb	25	324 x 375	80	50 x 10
FM122-300B		38	324 x 406		50 x 10
FM122-300C		50	324 x 424		50 x 10
FM122-300G		63	324 x 455		50 x 10
FM122-300H		75	324 x 475		50 x 10
FM122-350A	350nb	25	355 x 406	80	65 x 10
FM122-350B		38	355 x 424		65 x 10
FM122-350C		50	355 x 457		65 x 10
FM122-350G		63	355 x 486		65 x 10
FM122-350H		75	355 x 506		65 x 10
FM122-400A	400nb	25	406 x 457	80	65 x 10
FM122-400B		38	406 x 486		75 x 10
FM122-400C		50	406 x 508		75 x 10
FM122-400G		63	406 x 532		75 x 10
FM122-400H		75	406 x 557		75 x 10
FM122-450A	450nb	25	457 x 508	80	75 x 12
FM122-450B		38	457 x 532		75 x 12
FM122-450C		50	457 x 557		75 x 12
FM122-450G		63	457 x 587		75 x 12
FM122-450H		75	457 x 607		75 x 12
FM122-500A	500nb	25	508 x 557	80	75 x 12
FM122-500B		38	508 x 587		75 x 12
FM122-500C		50	508 x 610		75 x 12
FM122-500G		63	508 x 638		75 x 12
FM122-500H		75	508 x 658		75 x 12
FM122-600A	600nb	25	610 x 658	80	75 x 16
FM122-600B		38	610 x 686		75 x 16
FM122-600C		50	610 x 710		75 x 16
FM122-600G		63	610 x 740		75 x 16
FM122-600H		75	610 x 760		75 x 16

FM123 - DOUBLE BOLTED CLAMP AND TIMBER FERRULE FOR COPPER PIPE



FM123 - TIMBER FERRULE
eg: **FM123-015D**

FB123 - FLEXIBLOCK
eg: **FB123-015D**

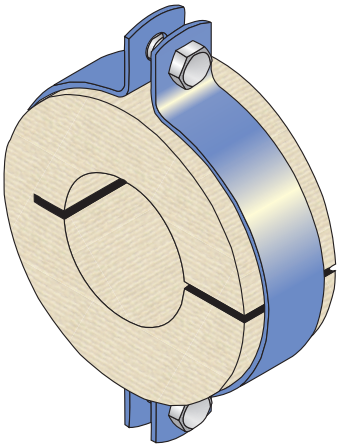
FINISH: HDG & PLAIN

STANDARD SIZES SHOWN:
OTHER SIZES AVAILABLE ON REQUEST

13mm 19mm 100mm INSULATIONS

PART NO.	PIPE DIA.	INS.	FERRULE DIA	FERRULE WIDTH	MATERIAL
FM123-015D	15cu	25	13 x 65	40	20 x 3
FM123-015E		38	13 x 89		20 x 3
FM123-015F		50	13 x 115		25 x 3
FM123-015J		63	13 x 140		25 x 5
FM123-015K		75	13 x 165		25 x 5
FM123-020D	20cu	25	19 x 70	40	20 x 3
FM123-020E		38	19 x 102		20 x 3
FM123-020F		50	19 x 127		25 x 5
FM123-020J		63	19 x 152		25 x 5
FM123-020K		75	19 x 168		25 x 5
FM123-025D	25cu	25	25 x 76	40	20 x 3
FM123-025E		38	25 x 102		20 x 3
FM123-025F		50	25 x 127		25 x 5
FM123-025J		63	25 x 152		25 x 5
FM123-025K		75	25 x 178		25 x 5
FM123-032D	32cu	25	32 x 83	40	20 x 3
FM123-032E		38	32 x 115		25 x 3
FM123-032F		50	32 x 140		25 x 5
FM123-032J		63	32 x 165		25 x 5
FM123-032K		75	32 x 178		25 x 5
FM123-040D	40cu	25	38 x 89	40	20 x 3
FM123-040E		38	38 x 115		25 x 3
FM123-040F		50	38 x 140		25 x 5
FM123-040J		63	38 x 165		25 x 5
FM123-040K		75	38 x 190		25 x 5
FM123-050D	50cu	25	51 x 102	40	20 x 3
FM123-050E		38	51 x 127		25 x 5
FM123-050F		50	51 x 152		25 x 5
FM123-050J		63	51 x 178		25 x 5
FM123-050K		75	51 x 203		25 x 5

FM123 - DOUBLE BOLTED CLAMP AND TIMBER FERRULE FOR COPPER PIPE



FM123 - TIMBER FERRULE
eg: **FM123-015D**

FB123 - FLEXIBLOCK
eg: **FB123-015D**

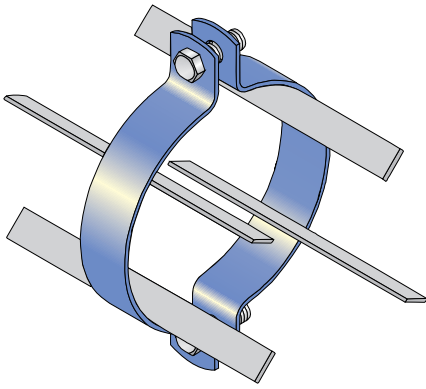
FINISH: HDG & PLAIN

STANDARD SIZES SHOWN:
OTHER SIZES AVAILABLE ON REQUEST

13mm 19mm 100mm INSULATIONS

PART NO.	PIPE DIA.	INS.	FERRULE DIA	FERRULE WIDTH	MATERIAL
FM123-065D	65cu	25	65 x 115	40	25 x 3
FM123-065E		38	65 x 140		25 x 5
FM123-065F		50	65 x 165		25 x 5
FM123-065J		63	65 x 190		25 x 5
FM123-065K		75	65 x 220		25 x 5
FM123-080D	80cu	25	76 x 127	40	25 x 5
FM123-080E		38	76 x 152		25 x 5
FM123-080F		50	76 x 178		25 x 5
FM123-080J		63	76 x 203		25 x 5
FM123-080K		75	76 x 228		25 x 5
FM123-100D	100cu	25	102 x 152	40	25 x 5
FM123-100E		38	102 x 178		25 x 5
FM123-100F		50	102 x 203		25 x 5
FM123-100J		63	102 x 228		25 x 5
FM123-100K		75	102 x 252		25 x 5
FM123-125D	125cu	25	127 x 178	40	25 x 5
FM123-125E		38	127 x 203		25 x 5
FM123-125F		50	127 x 228		25 x 5
FM123-125J		63	127 x 252		25 x 5
FM123-125K		75	127 x 275		40 x 6
FM123-150D	150cu	25	152 x 203	40	25 x 5
FM123-150E		38	152 x 228		25 x 5
FM123-150F		50	152 x 252		25 x 5
FM123-150J		63	152 x 275		40 x 6
FM123-150K		75	152 x 300		40 x 6
FM123-200D	200cu	25	203 x 252	40	25 x 5
FM123-200E		38	203 x 275		40 x 6
FM123-200F		50	203 x 300		40 x 6
FM123-200J		63	203 x 324		40 x 6
FM123-200K		75	203 x 355		40 x 6

FM192 - SPIDER CLAMP FOR STEAM AND CONDENSATE STEEL PIPE

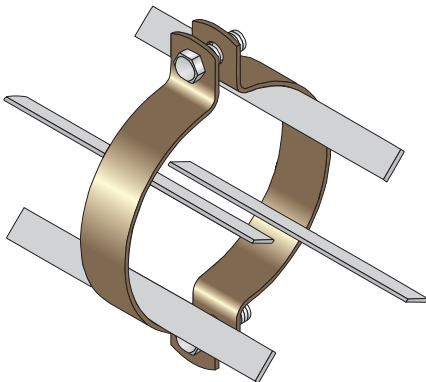


FINISH: HDG

PART NO.	PIPE DIA.	INS.	FERRULE DIA
FM192-015A	15nb	25	21 x 76
FM192-015B		38	21 x 102
FM192-015C		50	21 x 127
FM192-020A	20nb	25	27 x 76
FM192-020B		38	27 x 102
FM192-020C		50	27 x 127
FM192-025A	25nb	25	34 x 83
FM192-025B		38	34 x 115
FM192-025C		50	34 x 140
FM192-032A	32nb	25	43 x 89
FM192-032B		38	43 x 115
FM192-032C		50	43 x 140
FM192-040A	40nb	25	48 x 102
FM192-040B		38	48 x 127
FM192-040C		50	48 x 152
FM192-050A	50nb	25	60 x 115
FM192-050B		38	60 x 140
FM192-050C		50	60 x 168

PART NO.	PIPE DIA.	INS.	FERRULE DIA
FM192-065A	65nb	25	73 x 127
FM192-065B		38	73 x 152
FM192-065C		50	73 x 178
FM192-080A	80nb	25	89 x 140
FM192-080B		38	89 x 165
FM192-080C		50	89 x 190
FM192-100A	100nb	25	115 x 165
FM192-100B		38	115 x 190
FM192-100C		50	115 x 220
FM192-125A	125nb	25	140 x 190
FM192-125B		38	140 x 220
FM192-125C		50	140 x 240
FM192-150A	150nb	25	168 x 220
FM192-150B		38	168 x 240
FM192-150C		50	168 x 268
FM192-200A	200nb	25	220 x 275
FM192-200B		38	220 x 300
FM192-200C		50	220 x 324

FM192 - SPIDER CLAMP FOR STEAM AND CONDENSATE COPPER PIPE

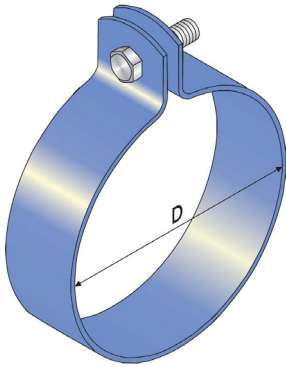


FINISH: POLY BROWN

PART NO.	PIPE DIA.	INS.	FERRULE DIA
FM192-015D	15cu	25	13 x 65
FM192-015E		38	13 x 89
FM192-015F		50	13 x 115
FM192-020D	20cu	25	19 x 70
FM192-020E		38	19 x 102
FM192-020F		50	19 x 127
FM192-025D	25cu	25	25 x 76
FM192-025E		38	25 x 102
FM192-025F		50	25 x 127
FM192-032D	32cu	25	32 x 83
FM192-032E		38	32 x 115
FM192-032F		50	32 x 140
FM192-040D	40cu	25	38 x 89
FM192-040E		38	38 x 115
FM192-040F		50	38 x 140
FM192-050D	50cu	25	51 x 102
FM192-050E		38	51 x 127
FM192-050F		50	51 x 152

PART NO.	PIPE DIA.	INS.	FERRULE DIA
FM192-065D	65cu	25	65 x 115
FM192-065E		38	65 x 140
FM192-065F		50	65 x 165
FM192-080D	80cu	25	76 x 127
FM192-080E		38	76 x 152
FM192-080F		50	76 x 178
FM192-100D	100cu	25	102 x 152
FM192-100E		38	102 x 178
FM192-100F		50	102 x 203
FM192-125D	125cu	25	127 x 178
FM192-125E		38	127 x 203
FM192-125F		50	127 x 228
FM192-150D	150cu	25	152 x 203
FM192-150E		38	152 x 228
FM192-150F		50	152 x 252
FM192-200D	200cu	25	203 x 252
FM192-200E		38	203 x 275
FM192-200F		50	203 x 300

FM127 - STANDARD BAND CLAMP FOR STEEL PIPE

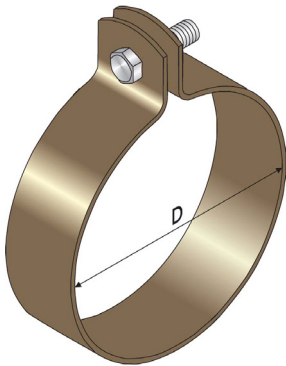


FINISH: ZINC

STANDARD SIZES ONLY:
OTHER SIZES AVAILABLE ON REQUEST

PART NO.	PIPE DIA	D	MATERIAL	BOLT & NUT	BOX QTY
FM127-021	15nb	21	25 x 1	M8 x 25	100
FM127-027	20nb	27	25 x 1	M8 x 25	100
FM127-034	25nb	34	25 x 1	M8 x 25	100
FM127-043	32nb	43	25 x 1.2	M8 x 25	50
FM127-048	40nb	48	25 x 1.2	M8 x 25	50
FM127-060	50nb	60	25 x 1.2	M8 x 25	50
FM127-076	65nb	76	25 x 1.2	M8 x 25	50
FM127-089	80nb	89	32 x 1.6	M8 x 25	50
FM127-115	100nb	115	32 x 1.6	M8 x 25	25
FM127-140	125nb	140	32 x 1.6	M10 x 25	25
FM127-168	150nb	168	40 x 3	M12 x 45	-
FM127-220	200nb	220	50 x 3	M12 x 45	-

FM128 - STANDARD BAND CLAMP FOR COPPER PIPE

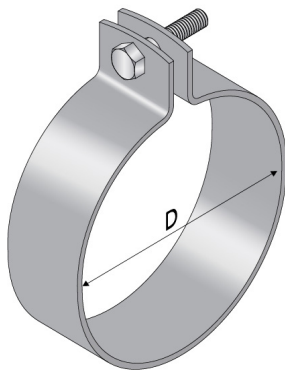


FINISH: POLY BROWN

STANDARD SIZES ONLY:
OTHER SIZES AVAILABLE ON REQUEST

PART NO.	PIPE DIA	D	MATERIAL	BOLT & NUT	BOX QTY
FM128-015	15cu	12.7	25 x 1	M8 x 25	100
FM128-020	20cu	20	25 x 1	M8 x 25	100
FM128-025	25cu	25	25 x 1	M8 x 25	100
FM128-032	32cu	32	25 x 1.2	M8 x 25	100
FM128-038	40cu	40	25 x 1.2	M8 x 25	50
FM128-051	50cu	51	25 x 1.2	M8 x 25	50
FM128-064	65cu	64	25 x 1.2	M8 x 25	25
FM128-076	80cu	76	32 x 1.6	M8 x 25	25
FM128-102	100cu	102	32 x 1.6	M8 x 25	25
FM128-127	125cu	127	32 x 1.6	M10 x 25	-
FM128-152	150cu	152	40 x 3	M12 x 45	-
FM128-203	200cu	203	40 x 3	M12 x 45	-

SSFM127 - STANDARD BAND CLAMP STAINLESS STEEL

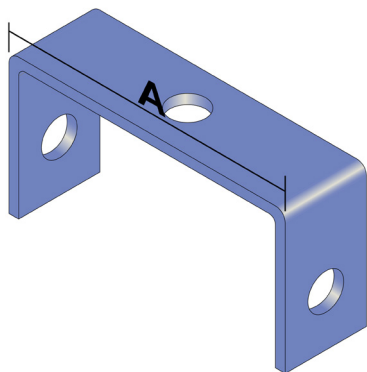


FINISH: 316 SS

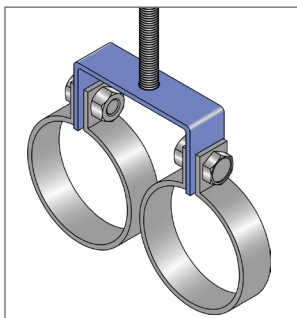
STANDARD SIZES ONLY:
OTHER SIZES AVAILABLE ON REQUEST

PART NO.	PIPE DIA	D	MATERIAL	BOLT & NUT	BOX QTY	PART NO.	PIPE DIA	D	MATERIAL	BOLT & NUT	BOX QTY
SSFM127-013	13ns	13	25 x 1	M6x25	100	SSFM127-054	54ns	54	25 x 1.2	M8x25	50
SSFM127-015	15ns	15	25 x 1	M6x25	100	SSFM127-056	56ns	56	25 x 1.2	M8x25	50
SSFM127-016	16ns	16	25 x 1	M6x25	100	SSFM127-060	60ns	60	25 x 1.2	M8x25	50
SSFM127-020	20ns	20	25 x 1	M6x25	100	SSFM127-064	64ns	64	25 x 1.2	M8x25	50
SSFM127-021	21ns	21	25 x 1	M6x25	100	SSFM127-070	70ns	70	25 x 1.2	M8x25	50
SSFM127-022	22ns	22	25 x 1	M6x25	100	SSFM127-076	76ns	76	25 x 1.2	M8x25	50
SSFM127-027	27ns	27	25 x 1	M6x25	100	SSFM127-083	83ns	83	32 x 1.6	M8x25	50
SSFM127-028	28ns	28	25 x 1	M6x25	100	SSFM127-089	89ns	89	32 x 1.6	M8x25	50
SSFM127-032	32ns	32	25 x 1	M6x25	100	SSFM127-108	108ns	108	32 x 1.6	M8x25	10
SSFM127-034	34ns	34	25 x 1	M6x25	100	SSFM127-112	112ns	112	32 x 1.6	M8x25	10
SSFM127-035	35ns	35	25 x 1.2	M6x25	100	SSFM127-127	127ns	127	32 x 1.6	M8x25	10
SSFM127-038	38ns	38	25 x 1.2	M6x25	100	SSFM127-152	152ns	152	25 x 3	M12x45	10
SSFM127-042	42ns	42	25 x 1.2	M6x25	100	SSFM127-162	162ns	162	25 x 3	M12x45	10
SSFM127-048	48ns	48	25 x 1.2	M8x25	50	SSFM127-200	200ns	200	25 x 3	M12x45	10
SSFM127-051	51ns	51	25 x 1.2	M8x25	50	SSFM127-252	252ns	252	25 x 3	M12x45	10

FMBS - HANGER ATTACHMENT

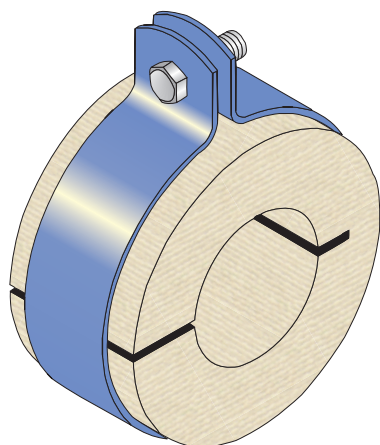


PART NO.	HOLE SIZE	'A'	FINISH	BOX QTY
FMBS-M10	11Ø	80	ZINC	50



CLIPS/ROD NOT INCLUDED

FM129 - BAND CLAMP AND TIMBER FERRULE FOR STEEL PIPE



FM129 - TIMBER FERRULE
eg: **FM129-015A**

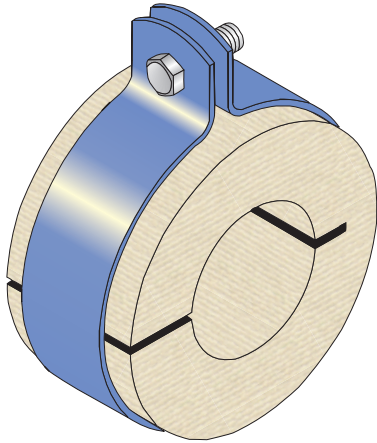
FB129 - FLEXIBLOCK
eg: **FB129-015A**

FINISH: ZINC
STANDARD SIZES SHOWN:
OTHER SIZES AVAILABLE ON REQUEST

13mm 19mm 100mm INSULATION

PART NO.	PIPE DIA.	INS.	FERRULE DIA	FERRULE WIDTH	MATERIAL
FM129-015A	15nb	25	21 x 73	40	20 x 3
FM129-015B		38	21 x 102		20 x 3
FM129-015C		50	21 x 127		25 x 3
FM129-015G		63	21 x 152		40 x 3
FM129-015H		75	21 x 178		40 x 3
FM129-020A	20nb	25	27 x 76	40	20 x 3
FM129-020B		38	27 x 102		20 x 3
FM129-020C		50	27 x 127		25 x 3
FM129-020G		63	27 x 152		40 x 3
FM129-020H		75	27 x 178		40 x 3
FM129-025A	25nb	25	34 x 83	40	20 x 3
FM129-025B		38	34 x 115		25 x 3
FM129-025C		50	34 x 140		25 x 3
FM129-025G		63	34 x 165		40 x 3
FM129-025H		75	34 x 190		40 x 3
FM129-032A	32nb	25	43 x 89	40	20 x 3
FM129-032B		38	43 x 115		25 x 3
FM129-032C		50	43 x 140		40 x 3
FM129-032G		63	43 x 165		40 x 3
FM129-032H		75	43 x 190		40 x 3
FM129-040A	40nb	25	48 x 102	40	20 x 3
FM129-040B		38	48 x 127		25 x 3
FM129-040C		50	48 x 152		40 x 3
FM129-040G		63	48 x 178		40 x 3
FM129-040H		75	48 x 203		40 x 3
FM129-050A	50nb	25	60 x 115	40	25 x 3
FM129-050B		38	60 x 140		25 x 3
FM129-050C		50	60 x 165		40 x 3
FM129-050G		63	60 x 190		40 x 3
FM129-050H		75	60 x 203		40 x 3

FM129 - BAND CLAMP AND TIMBER FERRULE FOR STEEL PIPE



FM129 - TIMBER FERRULE
eg: **FM129-015A**

FB129 - FLEXIBLOCK
eg: **FB129-015A**

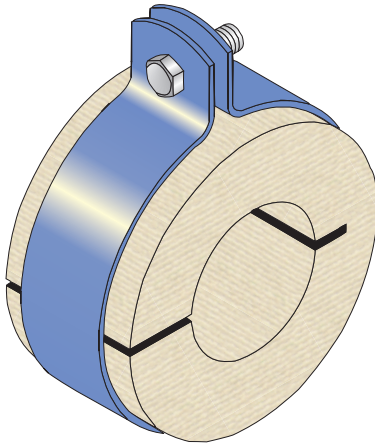
FINISH: ZINC

STANDARD SIZES SHOWN:
OTHER SIZES AVAILABLE ON REQUEST

13mm 19mm 100mm INSULATION

PART NO.	PIPE DIA.	INS.	FERRULE DIA	FERRULE WIDTH	MATERIAL
FM129-065A	65nb	25	73 x 127	40	25 x 3
FM129-065B		38	73 x 152		40 x 3
FM129-065C		50	73 x 178		40 x 3
FM129-065G		63	73 x 203		40 x 3
FM129-065H		75	73 x 228		40 x 3
FM129-080A	80nb	25	89 x 140	40	40 x 3
FM129-080B		38	89 x 165		40 x 3
FM129-080C		50	89 x 190		40 x 3
FM129-080G		63	89 x 220		40 x 3
FM129-080H		75	89 x 240		40 x 3
FM129-100A	100nb	25	115 x 165	40	40 x 3
FM129-100B		38	115 x 190		40 x 3
FM129-100C		50	115 x 220		40 x 3
FM129-100G		63	115 x 240		40 x 3
FM129-100H		75	115 x 268		40 x 3
FM129-125A	125nb	25	140 x 190	40	40 x 3
FM129-125B		38	140 x 220		40 x 3
FM129-125C		50	140 x 240		40 x 3
FM129-125G		63	140 x 268		40 x 3
FM129-125H		75	140 x 300		40 x 3
FM129-150A	150nb	25	168 x 220	40	40 x 3
FM129-150B		38	168 x 240		40 x 3
FM129-150C		50	168 x 268		40 x 3
FM129-150G		63	168 x 300		40 x 3
FM129-150H		75	168 x 324		40 x 3
FM129-200A	200nb	25	220 x 275	40	40 x 3
FM129-200B		38	220 x 300		40 x 3
FM129-200C		50	220 x 324		40 x 3
FM129-200G		63	220 x 355		40 x 3
FM129-200H		75	220 x 375		40 x 3

FM130 - BAND CLAMP AND TIMBER FERRULE FOR COPPER PIPE



FM130 - TIMBER FERRULE
eg: **FM130-015D**

FB130 - FLEXIBLOCK
eg: **FB130-015D**

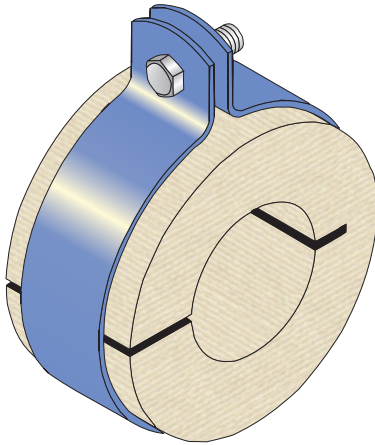
FINISH: ZINC

STANDARD SIZES SHOWN:
OTHER SIZES AVAILABLE ON REQUEST

13mm 19mm 100mm INSULATION

PART NO.	PIPE DIA.	INS.	FERRULE DIA	FERRULE WIDTH	MATERIAL
FM130-015D	15cu	25	13 x 65	40	20 x 3
FM130-015E		38	13 x 89		20 x 3
FM130-015F		50	13 x 115		25 x 3
FM130-015J		63	13 x 140		25 x 3
FM130-015K		75	13 x 165		40 x 3
FM130-020D	20cu	25	19 x 70	40	20 x 3
FM130-020E		38	19 x 102		20 x 3
FM130-020F		50	19 x 127		25 x 3
FM130-020J		63	19 x 152		40 x 3
FM130-020K		75	19 x 165		40 x 3
FM130-025D	25cu	25	25 x 76	40	20 x 3
FM130-025E		38	25 x 102		20 x 3
FM130-025F		50	25 x 127		25 x 3
FM130-025J		63	25 x 152		40 x 3
FM130-025K		75	25 x 178		40 x 3
FM130-032D	32cu	25	32 x 83	40	20 x 3
FM130-032E		38	32 x 115		25 x 3
FM130-032F		50	32 x 140		25 x 3
FM130-032J		63	32 x 165		40 x 3
FM130-032K		75	32 x 178		40 x 3
FM130-040D	40cu	25	38 x 89	40	20 x 3
FM130-040E		38	38 x 115		25 x 3
FM130-040F		50	38 x 140		25 x 3
FM130-040J		63	38 x 165		40 x 3
FM130-040K		75	38 x 190		40 x 3
FM130-050D	50cu	25	51 x 102	40	20 x 3
FM130-050E		38	51 x 127		25 x 5
FM130-050F		50	51 x 152		40 x 3
FM130-050J		63	51 x 178		40 x 3
FM130-050K		75	51 x 203		40 x 3

FM130 - BAND CLAMP AND TIMBER FERRULE FOR COPPER PIPE



FM130 - TIMBER FERRULE
eg: **FM130-015D**

FB130 - FLEXIBLOCK
eg: **FB130-015D**

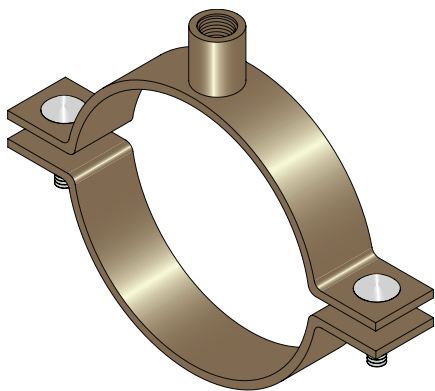
FINISH: ZINC PLATED

STANDARD SIZES SHOWN:
OTHER SIZES AVAILABLE ON REQUEST

13mm 19mm 100mm INSULATION

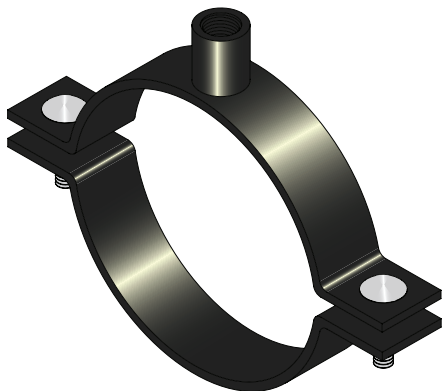
PART NO.	PIPE DIA.	INS.	FERRULE DIA	FERRULE WIDTH	MATERIAL
FM130-065D	65cu	25	65 x 115	40	25 x 3
FM130-065E		38	65 x 140		25 x 3
FM130-065F		50	65 x 165		40 x 3
FM130-065J		63	65 x 190		40 x 3
FM130-065K		75	65 x 220		40 x 3
FM130-080D	80cu	25	76 x 127	40	25 x 3
FM130-080E		38	76 x 152		40 x 3
FM130-080F		50	76 x 178		40 x 3
FM130-080J		63	76 x 203		40 x 3
FM130-080K		75	76 x 228		40 x 3
FM130-100D	100cu	25	102 x 152	40	40 x 3
FM130-100E		38	102 x 178		40 x 3
FM130-100F		50	102 x 203		40 x 3
FM130-100J		63	102 x 228		40 x 3
FM130-100K		75	102 x 252		40 x 3
FM130-125D	125cu	25	127 x 178	40	40 x 3
FM130-125E		38	127 x 203		40 x 3
FM130-125F		50	127 x 228		40 x 3
FM130-125J		63	127 x 252		40 x 3
FM130-125K		75	127 x 275		40 x 3
FM130-150D	150cu	25	152 x 203	40	40 x 3
FM130-150E		38	152 x 228		40 x 3
FM130-150F		50	152 x 252		40 x 3
FM130-150J		63	152 x 275		40 x 3
FM130-150K		75	152 x 300		40 x 3
FM130-200D	200cu	25	203 x 252	40	40 x 3
FM130-200E		38	203 x 275		40 x 3
FM130-200F		50	203 x 300		40 x 3
FM130-200J		63	203 x 324		40 x 3
FM130-200K		75	203 x 355		40 x 3

200 SERIES NUT CLIP - COPPER



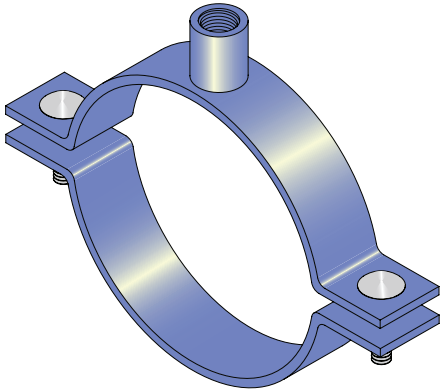
PART NO.	PIPE DIA	NUT	MATERIAL	FINISH	BOX QTY
EC200-015	12.7	M10	20 x 3	POLY BROWN	50
EC200-020	19.1	M10	20 x 3		50
EC200-025	25.4	M10	20 x 3		50
EC200-032	31.8	M10	20 x 3		25
EC200-038	38.1	M10	20 x 3		25
EC200-051	51.2	M10	20 x 3		25
EC200-064	63.5	M10	20 x 3		25
EC200-064-M12	63.5	M12	20 x 3		25
EC200-076	76.2	M10	20 x 3		25
EC200-076-M12	76.2	M12	20 x 3		25
EC200-102	101.6	M10	20 x 3		25
EC200-102-M12	101.6	M12	20 x 3		25
EC200-127	127	M10	25 x 3		20
EC200-127-M12	127	M12	25 x 3		20
EC200-152	152.4	M10	25 x 3		10
EC200-152-M12	152.4	M12	25 x 3		10
EC200-200	203.2	M10	25 x 5		10
EC200-200-M12	203.2	M12	25 x 5		10

200 SERIES NUT CLIP - HDPE



PART NO.	PIPE DIA	NUT	MATERIAL	FINISH	BOX QTY
EB200-040	40	M10	20 x 3	POLY BLACK	25
EB200-050	50	M10	20 x 3		25
EB200-056	56	M10	20 x 3		25
EB200-063	63	M10	20 x 3		25
EB200-075	75	M10	20 x 3		25
EB200-090	90	M10	20 x 3		20
EB200-110	110	M10	20 x 3		20
EB200-115	115	M10	20 x 3		20
EB200-125	125	M10	25 x 3		20
EB200-165	160	M10	25 x 5		10
EB200-165-M12	160	M12	25 x 3		10
EB200-200	200	M10	25 x 5		10
EB200-200-M12	200	M12	25 x 5		10
EB200-250	250	M10	25 x 5		10
EB200-250-M12	250	M12	25 x 5		10
EB200-315	315	M10	25 x 5		10
EB200-315-M12	315	M12	25 x 5		10

200 SERIES NUT CLIP - STEEL



CLAMPS ARE AVAILABLE IN HDG.

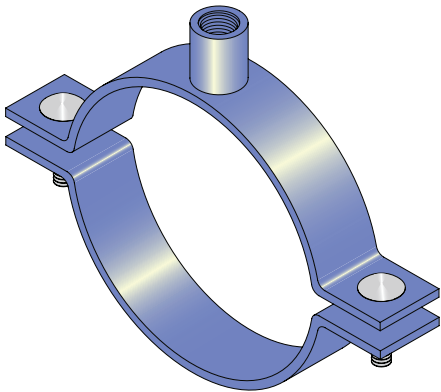
TO ORDER PUT HDG AT END OF CODE

EG: ES200-065HDG

* DENOTES HEAVY DUTY MATERIAL

PART NO.	PIPE DIA (NB)	NUT	MATERIAL	FINISH	BOX QTY
ES200-021	15	M10	20 x 3	ZINC PLATED	50
ES200-027	20	M10	20 x 3		50
ES200-034	25	M10	20 x 3		25
ES200-043	32	M10	20 x 3		25
ES200-048	40	M10	20 x 3		25
ES200-060	50	M10	20 x 3		25
ES200-076	65	M10	20 x 3		25
ES200-089	80	M10	20 x 3		20
ES200-115	100	M10	25 x 3		20
ES200-115*	100	M10	25 x 5		20
ES200-140	125	M10	25 x 3		10
ES200-165	150	M10	25 x 5		10
ES200-220	200	M10	25 x 5		10

200 SERIES NUT CLIP - NOMINAL ZP



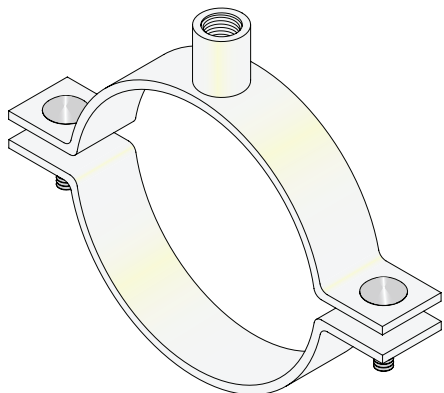
CLAMPS ARE AVAILABLE IN HDG.

TO ORDER PUT HDG AT END OF CODE

EG: EZ200-065HDG

PART NO.	NOMINAL	NUT	MATERIAL	FINISH	BOX QTY
EZ200-065	65	M10	20 x 3	ZINC PLATED	25
EZ200-070	70	M10	20 x 3		25
EZ200-083	83	M10	20 x 3		20
EZ200-102	102	M10	20 x 3		25
EZ200-127	127	M10	25 x 3		20
EZ200-152	152	M10	25 x 3		10
EZ200-178	178	M10	25 x 5		10
EZ200-190	190	M10	25 x 5		10
EZ200-203	203	M10	25 x 5		10
EZ200-228	228	M10	25 x 5		10
EZ200-252	252	M10	25 x 5		10
EZ200-275	275	M10	25 x 5		10
EZ200-302	302	M10	25 x 5		10
EZ200-315	315	M10	25 x 5		10
EZ200-355	355	M10	25 x 5		10
EZ200-406	406	M10	25 x 5		10

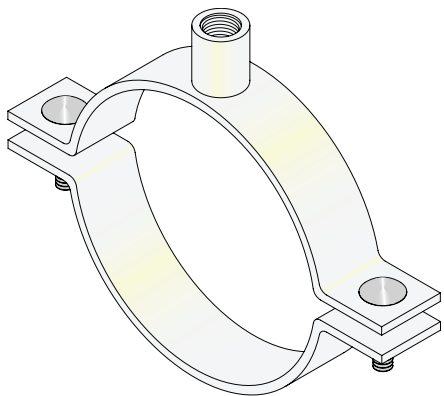
200 SERIES NUT CLIP - PRESS PVC



* DENOTES HEAVY DUTY MATERIAL

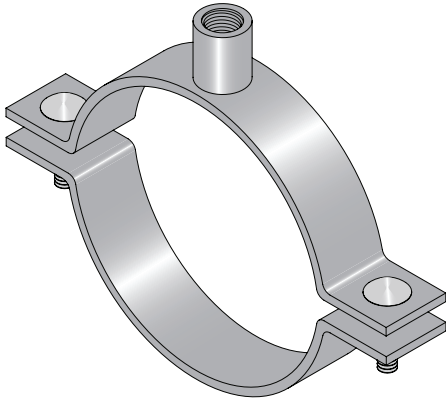
PART NO.	PIPE DIA (NB)	NUT	MATERIAL	FINISH	BOX QTY
EH200-021	15	M10	20 x 3	POLY WHITE	50
EH200-027	20	M10	20 x 3		50
EH200-034	25	M10	20 x 3		25
EH200-043	32	M10	20 x 3		25
EH200-048	40	M10	20 x 3		25
EH200-060	50	M10	20 x 3		25
EH200-076	65	M10	20 x 3		25
EH200-089	80	M10	20 x 3		20
EH200-115	100	M10	20 x 3		20
EH200-140	125	M10	25 x 5		10
EH200-165	150	M10	25 x 3		10
EH200-165*	150	M10	25 x 5		10
EH200-250	225	M10	25 x 5		10
EH200-250-M12	225	M12	25 x 5		10
EH200-315	300	M10	25 x 5		10
EH200-315-M12	300	M12	25 x 5		10

200 SERIES NUT CLIP - DWV PVC



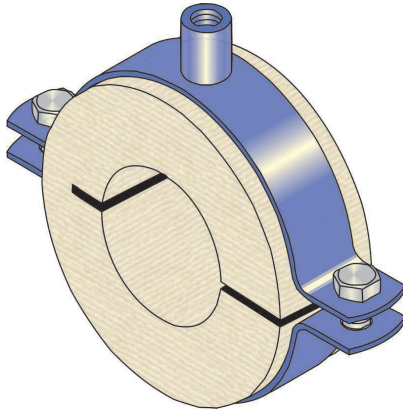
PART NO.	PIPE DIA (NB)	NUT	MATERIAL	FINISH	BOX QTY
EP200-038	32	M10	20 x 3	POLY WHITE	25
EP200-043	40	M10	20 x 3		25
EP200-060	50	M10	20 x 3		25
EP200-070	65	M10	20 x 3		25
EP200-083	80	M10	20 x 3		20
EP200-110	100 (TIGHT FIT)	M10	20 x 3		20
EP200-115	100 (LOOSE FIT)	M10	20 x 3		20
EP200-165	150	M10	20 x 3		10
EP200-165-M12	150	M12	25 x 5		10
EP200-250	225	M10	25 x 5		10
EP200-250-M12	225	M12	25 x 5		10
EP200-315	300	M10	25 x 5		10
EP200-315-M12	300	M12	25 x 5		10

200 SERIES NUT CLIP - STAINLESS STEEL



PART NO.	NUT	MATERIAL	FINISH	BOX QTY
SSES200-12.7	M10	20 x 3	316 SS	50
SSES200-015	M10	20 x 3		50
SSES200-016	M10	20 x 3		50
SSES200-020	M10	20 x 3		50
SSES200-021	M10	20 x 3		50
SSES200-025	M10	20 x 3		50
SSES200-027	M10	20 x 3		50
SSES200-028	M10	20 x 3		50
SSES200-032	M10	20 x 3		25
SSES200-034	M10	20 x 3		25
SSES200-038	M10	20 x 3		25
SSES200-043	M10	20 x 3		25
SSES200-048	M10	20 x 3		25
SSES200-051	M10	20 x 3		25
SSES200-054	M10	20 x 3		25
SSES200-060	M10	20 x 3		25
SSES200-065	M10	20 x 3		25
SSES200-070	M10	20 x 3		25
SSES200-076	M10	20 x 3		25
SSES200-083	M10	20 x 3		25
SSES200-089	M10	20 x 3		20
SSES200-102	M10	20 x 3		25
SSES200-108	M10	20 x 3		25
SSES200-112	M10	20 x 3		20
SSES200-112	M10	25 x 5		20
SSES200-127	M10	25 x 3		20
SSES200-140	M10	25 x 3		10
SSES200-152	M10	25 x 3		10
SSES200-162	M10	25 x 3		10
SSES200-203	M10	25 x 5		10
SSES200-228	M10	25 x 5		10
SSES200-250	M10	25 x 5		10
SSES200-284	M10	25 x 5		10
SSES200-315	M10	25 x 5	10	

FM109 - NUT CLIPS AND FERRULE FOR STEEL PIPE



FM109 - TIMBER FERRULE
eg: **FM109-015A**

FB109 - FLEXIBLOCK
eg: **FB109-015A**

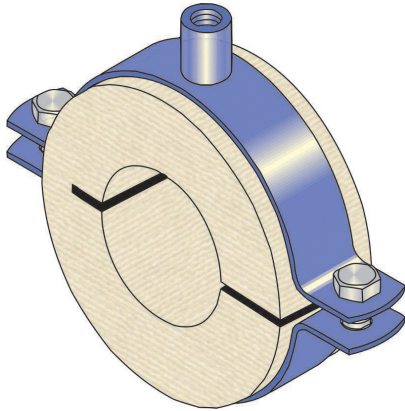
FINISH: ZINC PLATED

STANDARD SIZES SHOWN:
OTHER SIZES AVAILABLE ON REQUEST

13mm 19mm 100mm INSULATION

PART NO.	PIPE DIA.	INS.	FERRULE DIA	FERRULE WIDTH	MATERIAL	NUT
FM109-015A	15nb	25	21 x 73	40	20 x 3	M10
FM109-015B		38	21 x 102		20 x 3	M10
FM109-015C		50	21 x 127		25 x 5	M10
FM109-015G		63	21 x 152		25 x 5	M10
FM109-015H		75	21 x 172		25 x 5	M10
FM109-020A	20nb	25	27 x 76	40	20 x 3	M10
FM109-020B		38	27 x 102		20 x 3	M10
FM109-020C		50	27 x 127		25 x 5	M10
FM109-020G		63	27 x 152		25 x 5	M10
FM109-020H		75	27 x 178		25 x 5	M10
FM109-025A	25nb	25	34 x 83	40	20 x 3	M10
FM109-025B		38	34 x 115		25 x 3	M10
FM109-025C		50	34 x 140		25 x 5	M10
FM109-025G		63	34 x 165		25 x 5	M10
FM109-025H		75	34 x 190		25 x 5	M10
FM109-032A	32nb	25	43 x 89	40	20 x 3	M10
FM109-032B		38	43 x 115		25 x 3	M10
FM109-032C		50	43 x 140		25 x 5	M10
FM109-032G		63	43 x 165		25 x 5	M10
FM109-032H		75	43 x 190		25 x 5	M10
FM109-040A	40nb	25	48 x 102	40	20 x 3	M10
FM109-040B		38	48 x 127		25 x 5	M10
FM109-040C		50	48 x 152		25 x 5	M10
FM109-040G		63	48 x 178		25 x 5	M10
FM109-040H		75	48 x 203		25 x 5	M10
FM109-050A	50nb	25	60 x 115	40	25 x 3	M10
FM109-050B		38	60 x 140		25 x 5	M10
FM109-050C		50	60 x 165		25 x 5	M10
FM109-050G		63	60 x 190		25 x 5	M10
FM109-050H		75	60 x 203		25 x 5	M10

FM109 - NUT CLIPS AND FERRULE FOR STEEL PIPE



FM109 - TIMBER FERRULE
eg: **FM109-015A**

FB109 - FLEXIBLOCK
eg: **FB109-015A**

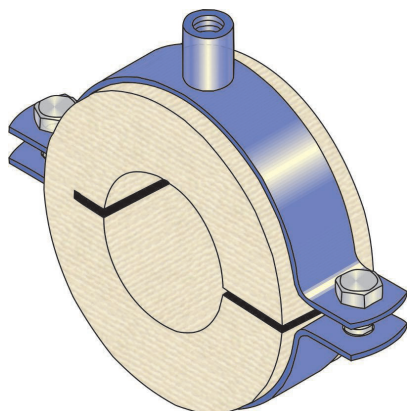
FINISH: ZINC PLATED

STANDARD SIZES SHOWN:
OTHER SIZES AVAILABLE ON REQUEST

13mm 19mm 100mm INSULATION

PART NO.	PIPE DIA.	INS.	FERRULE DIA	FERRULE WIDTH	MATERIAL	NUT
FM109-065A	65nb	25	73 x 127	40	25 x 5	M10
FM109-065B		38	73 x 152		25 x 5	M10
FM109-065C		50	73 x 178		25 x 5	M10
FM109-065G		63	73 x 203		25 x 5	M10
FM109-065H		75	73 x 228		25 x 5	M10
FM109-080A	80nb	25	89 x 140	40	25 x 5	M10
FM109-080B		38	89 x 165		25 x 5	M10
FM109-080C		50	89 x 190		25 x 5	M10
FM109-080G		63	89 x 220		25 x 5	M10
FM109-080H		75	89 x 240		25 x 5	M10
FM109-100A	100nb	25	115 x 165	40	25 x 5	M10
FM109-100B		38	115 x 190		25 x 5	M10
FM109-100C		50	115 x 220		25 x 5	M10
FM109-100G		63	115 x 240		25 x 5	M10
FM109-100H		75	115 x 268		25 x 5	M10
FM109-125A	125nb	25	140 x 190	40	25 x 5	M10
FM109-125B		38	140 x 220		25 x 5	M10
FM109-125C		50	140 x 240		25 x 5	M10
FM109-125G		63	140 x 268		40 x 6	M10
FM109-125H		75	140 x 300		40 x 6	M10
FM109-150A	150nb	25	168 x 220	40	25 x 5	M12
FM109-150B		38	168 x 240		25 x 5	M12
FM109-150C		50	168 x 268		40 x 6	M12
FM109-150G		63	168 x 300		40 x 6	M12
FM109-150H		75	168 x 324		40 x 6	M12
FM109-200A	200nb	25	220 x 275	40	40 x 6	M12
FM109-200B		38	220 x 300		40 x 6	M12
FM109-200C		50	220 x 324		40 x 6	M12
FM109-200G		63	220 x 355		40 x 6	M12
FM109-200H		75	220 x 375		40 x 6	M12

FM110 - NUT CLIPS AND FERRULE FOR COPPER PIPE



FM110 - TIMBER FERRULE
eg: **FM110-015A**

FB110 - FLEXIBLOCK
eg: **FB110-015A**

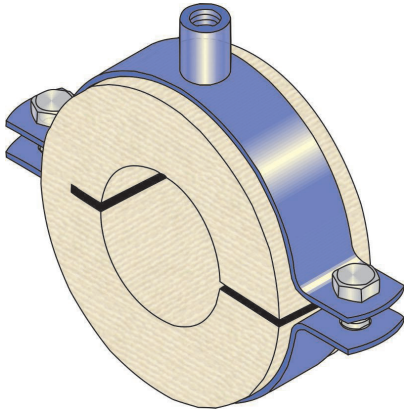
FINISH: ZINC PLATED

STANDARD SIZES SHOWN:
OTHER SIZES AVAILABLE ON REQUEST

13mm 19mm 100mm INSULATION

PART NO.	PIPE DIA.	INS.	FERRULE DIA	FERRULE WIDTH	MATERIAL	NUT
FM110-015D	15cu	25	13 x 65	40	20 x 3	M10
FM110-015E		38	13 x 89		20 x 3	M10
FM110-015F		50	13 x 115		25 x 3	M10
FM110-015J		63	13 x 140		25 x 5	M10
FM110-015K		75	13 x 165		25 x 5	M10
FM110-020D	20cu	25	19 x 70	40	20 x 3	M10
FM110-020E		38	19 x 102		20 x 3	M10
FM110-020F		50	19 x 127		25 x 5	M10
FM110-020J		63	19 x 152		25 x 5	M10
FM110-020K		75	19 x 165		25 x 5	M10
FM110-025D	25cu	25	25 x 76	40	20 x 3	M10
FM110-025E		38	25 x 102		20 x 3	M10
FM110-025F		50	25 x 127		25 x 5	M10
FM110-025J		63	25 x 152		25 x 5	M10
FM110-025K		75	25 x 178		25 x 5	M10
FM110-032D	32cu	25	32 x 83	40	20 x 3	M10
FM110-032E		38	32 x 115		25 x 3	M10
FM110-032F		50	32 x 140		25 x 5	M10
FM110-032J		63	32 x 165		25 x 5	M10
FM110-032K		75	32 x 178		25 x 5	M10
FM110-040D	40cu	25	38 x 89	40	20 x 3	M10
FM110-040E		38	38 x 115		25 x 3	M10
FM110-040F		50	38 x 140		25 x 5	M10
FM110-040J		63	38 x 165		25 x 5	M10
FM110-040K		75	38 x 190		25 x 5	M10
FM110-050D	50cu	25	51 x 102	40	20 x 3	M10
FM110-050E		38	51 x 127		25 x 5	M10
FM110-050F		50	51 x 152		25 x 5	M10
FM110-050J		63	51 x 178		25 x 5	M10
FM110-050K		75	51 x 203		25 x 5	M10

FM110 - NUT CLIPS AND FERRULE FOR COPPER PIPE



FM110 - TIMBER FERRULE
eg: **FM110-015A**

FB110 - FLEXIBLOCK
eg: **FB110-015A**

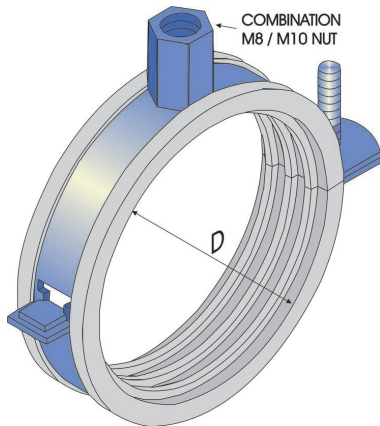
FINISH: ZINC PLATED

STANDARD SIZES SHOWN:
OTHER SIZES AVAILABLE ON REQUEST

13mm 19mm 100mm INSULATION

PART NO.	PIPE DIA.	INS.	FERRULE DIA	FERRULE WIDTH	MATERIAL	NUT
FM110-065D	65cu	25	65 x 115	40	25 x 3	M10
FM110-065E		38	65 x 140		25 x 5	M10
FM110-065F		50	65 x 165		25 x 5	M10
FM110-065J		63	65 x 190		25 x 5	M10
FM110-065K		75	65 x 220		25 x 5	M10
FM110-080D	80cu	25	76 x 127	40	25 x 5	M10
FM110-080E		38	76 x 152		25 x 5	M10
FM110-080F		50	76 x 178		25 x 5	M10
FM110-080J		63	76 x 203		25 x 5	M10
FM110-080K		75	76 x 228		25 x 5	M10
FM110-100D	100cu	25	102 x 152	40	25 x 5	M10
FM110-100E		38	102 x 178		25 x 5	M10
FM110-100F		50	102 x 203		25 x 5	M10
FM110-100J		63	102 x 228		25 x 5	M10
FM110-100K		75	102 x 252		25 x 5	M10
FM110-125D	125cu	25	127 x 178	40	25 x 5	M10
FM110-125E		38	127 x 203		25 x 5	M10
FM110-125F		50	127 x 228		25 x 5	M10
FM110-125J		63	127 x 252		25 x 5	M10
FM110-125K		75	127 x 275		40 x 6	M10
FM110-150D	150cu	25	152 x 203	40	25 x 5	M12
FM110-150E		38	152 x 228		25 x 5	M12
FM110-150F		50	152 x 252		25 x 5	M12
FM110-150J		63	152 x 275		40 x 6	M12
FM110-150K		75	152 x 300		40 x 6	M12
FM110-200D	200cu	25	203 x 250	40	40 x 6	M12
FM110-200E		38	203 x 275		40 x 6	M12
FM110-200F		50	203 x 300		40 x 6	M12
FM110-200J		63	203 x 324		40 x 6	M12
FM110-200K		75	203 x 355		40 x 6	M12

ACOUSTIC PIPE CLIPS



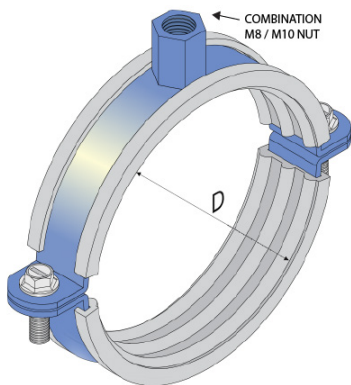
FINISH: ZINC PLATED

RUBBER QUALITY

EPDM (without polymer mix)
 Shore hardness 45 5 Shore A (DIN 53505)
 Compression set 30% (DIN 53517)
 Shore hardness change after aging 10 (DIN 53508)
 Resistance ozone cracking (DIN 53509)
 Temperature range -50C to +110C (DIN 53513)
 Flame test B2, (DIN 4102)

NOM SIZE	PART NUMBERS						BOX QTY
	COPPER PIPE	STEEL PIPE	PRESSURE PVC	DWV PVC PIPE	HDPE PIPE	PP_R PIPE	
S12-14	15cu						50
S19-21	20cu				20 HDPE		50
S21-23		15nb	15 PRESS				50
S20-25	25cu				25 HDPE	25 mm	50
S26-28		20nb	20 PRESS				25
S28							25
S32-35	32cu	25nb	25 PRESS		32 HDPE	32 mm	25
S38-43							20
S40-43	40cu	32nb	32 PRESS	32 PVC	40 HDPE	40 mm	25
S44-49		40nb	40 PRESS		50 HDPE		20
S50-56	50cu			50 PVC		50 mm	20
S57-62		50nb	50 PRESS				20
S63-67	65cu				65 HDPE	63 mm	20
S67-70				65 PVC			20
S74-80	80cu	65nb	65 PRESS		80 HDPE	75 mm	25
S83-91		80nb	80 PRESS	80 PVC	90 HDPE	90 mm	20
S101-106	100cu						20
S108-114		100nb	100 PRESS	100 PVC	100 HDPE	110 mm	10
S125	125cu				125 HDPE	125 mm	10
S140-144		125nb	125 PRESS				20
S152	150cu						10
S159-163			150 PRESS	150 PVC	150 HDPE	160 mm	10
S165-169		150nb					10

DOUBLE BOLTED ACOUSTIC PIPE CLIPS



SPACERS AVAILABLE FOR WHEN A SLIDING PIPE IS REQUIRED

FINISH: ZINC PLATED

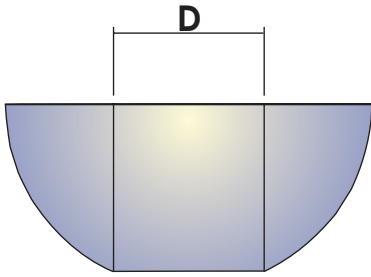
RUBBER QUALITY

EPDM (without polymer mix)
 Shore hardness 45 5 Shore A (DIN 53505)
 Compression set 30% (DIN 53517)
 Shore hardness change after aging 10 (DIN 53508)
 Resistance ozone cracking (DIN 53509)
 Temperature range -50C to +110C (DIN 53513)
 Flame test B2, (DIN 4102)

NOM SIZE	PART NUMBERS						BOX QTY
	COPPER PIPE	STEEL PIPE	PRESSURE PVC	DWV PVC PIPE	HDPE PIPE	PP_R PIPE	
SDB11-15	15cu						50
SDB15-19	20cu						50
SDB20-25	25cu				20 HDPE	25 mm	50
SDB26-30		20nb	20 PRESS		25 HDPE		25
SDB32-36	32cu	25nb	25 PRESS		32 HDPE	32 mm	25
SDB38-43	40cu	32nb	32 PRESS	32 PVC	40 HDPE	40 mm	25
SDB47-51	50cu			50 PVC	50 HDPE	50 mm	20
SDB53-58					56 HDPE		20
SDB60-64	65cu	50nb	50 PRESS		63 HDPE	63 mm	20
SDB68-73		65nb	65 PRESS	65 PVC			20
SDB75-80	80cu				75 HDPE	75 mm	25
SDB81-86				80 PVC			25
SDB87-92		80nb	80 PRESS		90 HDPE	90 mm	25
SDB99-105	100cu						20
SDB108-116		100nb	100 PRESS	100 PVC	110 HDPE	110 mm	10
SDB125-130	125cu				125 HDPE	125 mm	20
SDB138-142		125nb	125 PRESS				20
SDB148-152	150cu						10
SDB159-165			150 PRESS	150 PVC	160 HDPE	160 mm	10
SDB200-212	200cu				200 HDPE		10
SDB248-252				225 PVC	250 HDPE		10

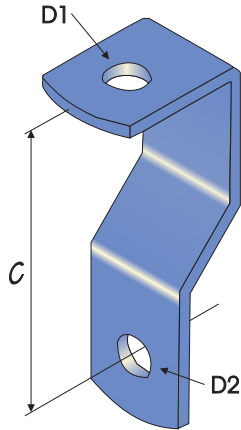
SPHERICAL WASHER

FM152 - SPHERICAL WASHER



PART NO.	D	FINISH	BOX QTY
FM152-M10	11Ø	HDG	500
FM152-M12	14Ø		100
FM152-M16	18Ø		100
FM152-M20	22Ø		50
FM152-M24	26Ø		25
FM152-M30	32Ø		1
FM152-M36	38Ø		1

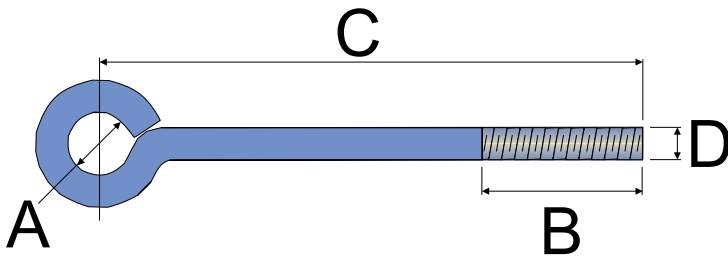
FM153 - HANGER CLEVIS



PART NO.	C	D1	D2	W x T	FINISH	BOX QTY
FM153-M10LD	70	11Ø	11Ø	25 x 3	ZINC	100
FM153-M10	70	11Ø	11Ø	25 x 5	HDG	50
FM153-M12	75	14Ø	14Ø	40 x 6		25
FM153-M16	100	18Ø	14Ø	50 x 6		25
FM153-M20	112	22Ø	22Ø	75 x 10		10
FM153-M24	125	26Ø	26Ø	75 x 10		5

NOTE: FM153-M24 COMES WITH A GUSSET

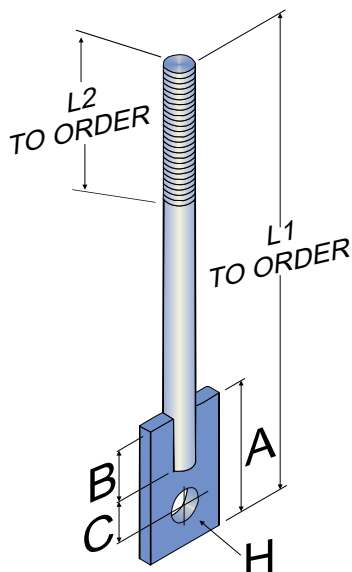
FM151 - EYEBOLT



PART NO.	FINISH
FM151	HDG, PAINTED & PLAIN

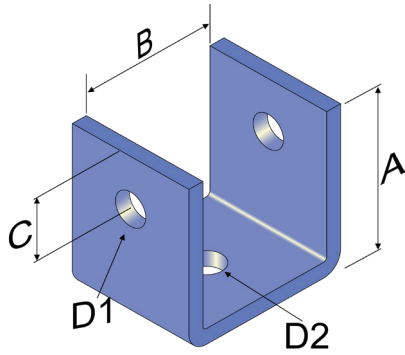
ALL DIMENSIONS MADE TO ORDER.

FM154 - BLADE END HANGER



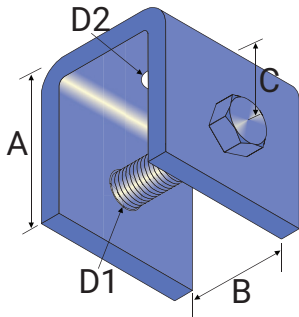
PART NO.	ROD DIA.	A	B	C	H	MATERIAL.	FINISH
FM154-M10	M10	55	15	25	11Ø	25 x 5	HDG, PLAIN & 316 SS
FM154-M12	M12	74	22	32	14Ø	40 x 6	
FM154-M16	M16	82	25	32	18Ø	75 x 10	
FM154-M20	M20	97	32	35	22Ø	90 x 12	
FM154-M24	M24	115	35	40	26Ø	90 x 12	

FM180 - WELDED BEAM HANGER



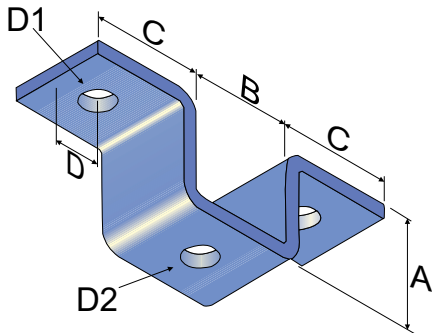
PART NO.	A	B	C	D1	D2	MATERIAL	FINISH
FM180-M10	75	35	20	14Ø	11Ø	50 x 10	PLAIN
FM180-M12	75	35	20	14Ø	14Ø	50 x 10	
FM180-M16	75	50	30	18Ø	18Ø	75 x 10	
FM180-M20	90	50	30	22Ø	22Ø	75 x 10	
FM180-M24	125	61	40	26Ø	26Ø	100 x 12	

FM181 - WELDED BEAM HANGER



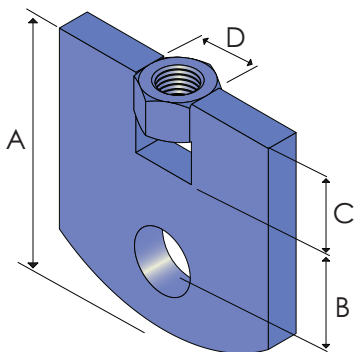
PART NO.	A	B	C	D1	D2	MATERIAL	FINISH
FM181-M10	75	35	20	14Ø	11Ø	50 x 10	PLAIN
FM181-M12	75	35	20	14Ø	14Ø	50 x 10	
FM181-M16	75	50	30	18Ø	18Ø	75 x 10	
FM181-M20	90	50	30	22Ø	22Ø	75 x 10	
FM181-M24	125	61	40	26Ø	26Ø	100 x 12	

FM182 - HANGER STIRRUP



PART NO.	A	B	C	D	D1	D2	MATERIAL	FINISH
FM182-M10	60	45	35	15	11Ø	11Ø	32 x 5	HDG
FM182-M12	65	45	45	20	14Ø	14Ø	40 x 6	
FM182-M16	90	45	45	20	14Ø	18Ø	40 x 6	
FM182-M20	100	65	65	25	18Ø	22Ø	50 x 10	
FM182-M24	100	65	70	30	22Ø	26Ø	65 x 10	

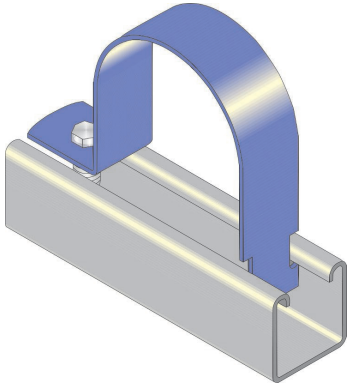
FM35 - EYE NUT



PART NO.	A	B	C	D	HOLE DIA.	NUT	MATERIAL	FINISH
FM35-12-M10	70	29	20	15	14Ø	M10	40 x 5	HDG
FM35-16-M12	75	30	25	19	18Ø	M12	75 x 10	
FM35-20-M16	95	35	30	25	22Ø	M16	75 x 10	
FM35-24-M20	100	35	35	30	26Ø	M20	75 x 10	
FM35-30-M24	102	37	35	35	32Ø	M24	75 x 16	
FM35-36-M30	140	40	60	47	38Ø	M30	130 x 20	
FM35-42-M36	140	40	60	56	42Ø	M36	130 x 20	

STANDARD FINISH ONLY:
OTHER FINISHES AVAILABLE ON REQUEST

FM138 - ONE-PIECE CHANNEL CLIP



FM138 ONE PIECE CHANNEL CLIP FOR STEEL PIPE			
PART NO.	PIPE SIZE	HOLE DIA.	BOX QTY
FM138-021	15nb	7Ø	50
FM138-027	20nb	7Ø	50
FM138-034	25nb	7Ø	50
FM138-043	32nb	7Ø	50
FM138-048	40nb	9Ø	25
FM138-060	50nb	9Ø	25
FM138-073	65nb	9Ø	20
FM138-089	80nb	9Ø	20
FM138-115	100nb	9Ø	20
FM138-140	125nb	9Ø	20
FM138-168	150nb	9Ø	20

FM139 ONE PIECE CHANNEL CLIP FOR COPPER PIPE			
PART NO.	PIPE SIZE	HOLE DIA.	BOX QTY
FM139-015	15cu	7Ø	100
FM139-020	20cu	7Ø	100
FM139-025	25cu	7Ø	100
FM139-032	32cu	7Ø	50
FM139-038	40cu	9Ø	50
FM139-051	50cu	9Ø	25
FM139-064	65cu	9Ø	25
FM139-076	80cu	9Ø	25
FM139-102	100cu	9Ø	25
FM139-127	125cu	9Ø	25
FM139-152	150cu	9Ø	25

FINISH:
ZINC PLATED

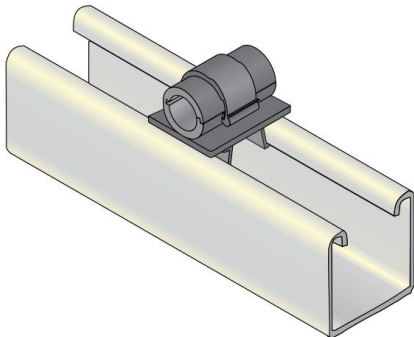
HDG ON REQUEST

NOTE:
BOLT & CHANNEL NUT
SUPPLIED SEPARATELY
FOR FM138 & FM139

FINISH:
POLY BROWN

NOTE:
FM139 IS SUPPLIED
WITH FM133A UNLESS
REQUESTED OTHERWISE

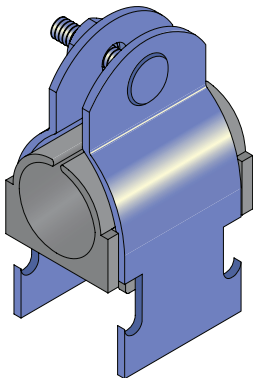
FM132FC - FAST CLIP



PART NO.	PIPE SIZE	FINISH	BOX QTY
FM132FC-3/8	3/8"	EPDM	100
FM132FC-1/2	1/2"		100
FM132FC-5/8	5/8"		50
FM132FC-3/4	3/4"		50
FM132FC-7/8	7/8"		50
FM132FC-1 1/8	1 1/8"		50

NON METALLIC EASY INSTALLATION OF REFRIGERATION PIPE SYSTEM.
SUITABLE FOR ALL FLEXISTRUT CHANNELS.

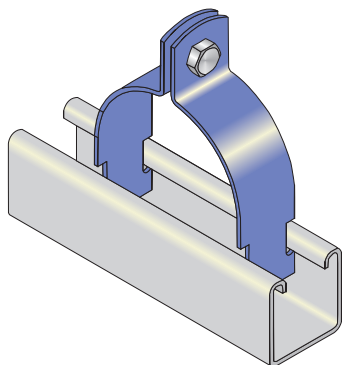
FM132R - TWO-PIECE CHANNEL CLIP FOR REFRIGERATION PIPE



FEATURES:
 1. Suitable for refrigeration pipework.
 2. Plastic inserts are designed to withstand temperatures between -30C to 125C
 3. Self locking nut
 4. Insulates against heat loss and reduces vibration

PART NO.	PIPE SIZE	FINISH	BOX QTY
FM132R-1/4	1/4"	ZINC PLATED (Clamp) + EDPM (Insert)	50
FM132R-3/8	3/8"		50
FM132R-1/2	1/2"		50
FM132R-5/8	5/8"		50
FM132R-3/4	3/4"		25
FM132R-7/8	7/8"		25
FM132R-1	1"		25
FM132R-1 1/8	1 1/8"		25
FM132R-1 1/4	1 1/4"		25
FM132R-1 3/8	1 3/8"		25
FM132R-1 5/8	1 5/8"		20
FM132R-1 7/8	1 7/8"		25
FM132R-2 1/8	2 1/8"		25
FM132R-2 5/8	2 5/8"		20
FM132R-3 1/8	3 1/8"		10
FM132R-4 1/8	4 1/8"		10

FM132 - TWO PIECE CHANNEL CLIP



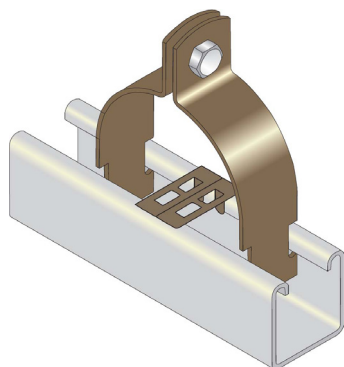
FINISH: ZINC, HDG & STAINLESS STEEL
(OTHER FINISHES AVAILABLE ON REQUEST)

STANDARD SIZES SHOWN:
OTHER SIZES AVAILABLE ON REQUEST

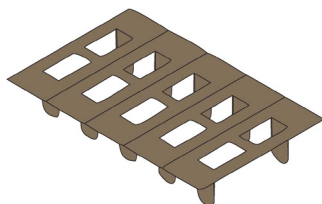
PART NO.	PIPE DIA	MATERIAL	BOX QTY
FM132-008	8cu	32 x 1.6	200
FM132-010	10cu	32 x 1.6	200
FM132-12.7	15cu	32 x 1.6	100
FM132-017	17ns	32 x 1.6	100
FM132-020	20cu	32 x 1.6	100
FM132-021	15nb	32 x 1.6	100
FM132-025	25cu	32 x 1.6	100
FM132-027	20nb	32 x 1.6	100
FM132-029	29ns	32 x 2.0	100
FM132-032	32cu	32 x 2.0	100
FM132-034	25nb	32 x 2.0	100
FM132-038	40cu	32 x 2.0	100
FM132-043	32nb	32 x 2.0	100
FM132-048	40nb	32 x 2.0	100
FM132-051	50cu	32 x 2.5	50
FM132-054	54ns	32 x 2.5	50
FM132-057	57ns	32 x 2.5	50
FM132-060	50nb	32 x 2.5	50
FM132-064	65cu	32 x 2.5	50
FM132-067	67ns	32 x 2.5	50
FM132-070	70ns	32 x 2.5	50
FM132-073	65nb	32 x 2.5	50
FM132-076	65nb/80cu	32 x 2.5	50
FM132-079	79ns	32 x 2.5	50
FM132-083	83ns	32 x 2.5	50
FM132-086	86ns	32 x 2.5	50
FM132-089	80nb	32 x 2.5	50
FM132-092	92ns	32 x 2.5	50
FM132-095	95ns	32 x 2.5	50

PART NO.	PIPE DIA	MATERIAL	BOX QTY
FM132-098	98ns	32 x 2.5	50
FM132-102	102cu	32 x 2.5	25
FM132-105	105ns	32 x 2.5	25
FM132-108	108ns	32 x 2.5	25
FM132-110	110ns	32 x 2.5	25
FM132-115	100nb	32 x 2.5	25
FM132-117	117ns	32 x 2.5	25
FM132-121	121ns	32 x 2.5	25
FM132-127	125cu	32 x 2.5	25
FM132-133	133ns	32 x 2.5	25
FM132-140	125nb	32 x 2.5	25
FM132-146	146ns	32 x 2.5	25
FM132-152	152cu	32 x 2.5	25
FM132-159	159ns	32 x 2.5	25
FM132-165	150nb	32 x 2.5	25
FM132-168	150nb	32 x 2.5	25
FM132-171	171nb	32 x 2.5	25
FM132-178	178ns	32 x 2.5	25
FM132-190	190ns	32 x 2.5	25
FM132-203	200cu	32 x 2.5	20
FM132-220	200nb	32 x 2.5	20
FM132-228	228ns	32 x 2.5	20
FM132-240	240ns	32 x 2.5	20
FM132-252	252cu	32 x 2.5	20
FM132-268	268ns	32 x 2.5	20
FM132-275	250nb	32 x 2.5	20
FM132-302	300cu	32 x 2.5	20
FM132-315	315ns	32 x 2.5	20
FM132-324	300nb	32 x 2.5	20

FM133 - TWO PIECE CHANNEL CLIP FOR COPPER PIPE



PART NO.	PIPE SIZE	FINISH	BOX QTY
FM133-012.7	15cu	POLY BROWN	100
FM133-020	20cu		100
FM133-025	25cu		100
FM133-032	32cu		100
FM133-038	40cu		100
FM133-051	50cu		25
FM133-064	65cu		25
FM133-076	80cu		25
FM133-102	100cu		25
FM133-127	125cu		25
FM133-152	150cu		20
FM133-203	200cu		25
FM133-252	250cu		25
FM133-302	300cu		20

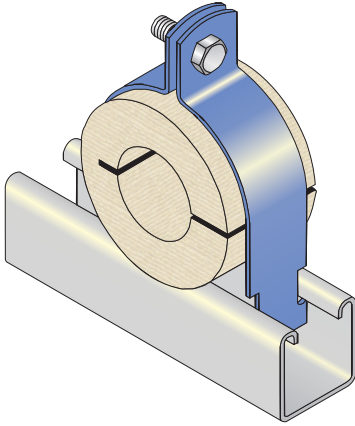


FM133A

Continuous "Snap Off" strip used in conjunction with FM133 two piece clip - Prevents contact between copper pipe and galvanized channel.

NOTE: FM133 INCLUDES FM133A UNLESS OTHERWISE REQUESTED.

FM134 - TWO-PIECE CHANNEL CLIP AND TIMBER FERRULE FOR STEEL PIPE



FM134 - TIMBER FERRULE
eg: **FM134-015A**

FB134 - FLEXIBLOCK
eg: **FB134-015A**

FINISH: ZINC PLATED

STANDARD SIZES SHOWN:
OTHER SIZES AVAILABLE ON REQUEST

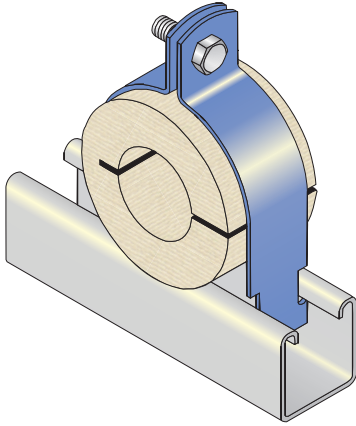
13mm 19mm 63mm 75mm 100mm
INSULATION

FERRULE WIDTH: 40mm

PART NO.	PIPE DIA.	INS.	FERRULE DIA
FM134-015A	15nb	25	21 x 73
FM134-015B		38	21 x 102
FM134-015C		50	21 x 127
FM134-015G		63	21 x 152
FM134-015H		75	21 x 178
FM134-020A	20nb	25	27 x 76
FM134-020B		38	27 x 102
FM134-020C		50	27 x 127
FM134-020G		63	27 x 152
FM134-020H		75	27 x 178
FM134-025A	25nb	25	34 x 83
FM134-025B		38	34 x 115
FM134-025C		50	34 x 140
FM134-025G		63	34 x 165
FM134-025H		75	34 x 190
FM134-032A	32nb	25	43 x 89
FM134-032B		38	43 x 115
FM134-032C		50	43 x 140
FM134-032G		63	43 x 165
FM134-032H		75	43 x 190
FM134-040A	40nb	25	48 x 102
FM134-040B		38	48 x 127
FM134-040C		50	48 x 152
FM134-040G		63	48 x 178
FM134-040H		75	48 x 203
FM134-050A	50nb	25	60 x 115
FM134-050B		38	60 x 140
FM134-050C		50	60 x 165
FM134-050G		63	60 x 190
FM134-050H		75	60 x 203

PART NO.	PIPE DIA.	INS.	FERRULE DIA
FM134-065A	65nb	25	73 x 127
FM134-065B		38	73 x 152
FM134-065C		50	73 x 178
FM134-065G		63	73 x 203
FM134-065H		75	73 x 228
FM134-080A	80nb	25	89 x 140
FM134-080B		38	89 x 165
FM134-080C		50	89 x 190
FM134-080G		63	89 x 220
FM134-080H		75	89 x 240
FM134-100A	100nb	25	115 x 165
FM134-100B		38	115 x 190
FM134-100C		50	115 x 220
FM134-100G		63	115 x 240
FM134-100H		75	115 x 268
FM134-125A	125nb	25	140 x 190
FM134-125B		38	140 x 220
FM134-125C		50	140 x 240
FM134-125G		63	140 x 268
FM134-125H		75	140 x 300
FM134-150A	150nb	25	168 x 220
FM134-150B		38	168 x 240
FM134-150C		50	168 x 268
FM134-150G		63	168 x 300
FM134-150H		75	168 x 324
FM134-200A	200nb	25	220 x 275
FM134-200B		38	220 x 300
FM134-200C		50	220 x 324
FM134-200G		63	220 x 355
FM134-200H		75	220 x 375

FM135 - TWO-PIECE CHANNEL CLIP AND TIMBER FERRULE FOR COPPER PIPE



FM135 - TIMBER FERRULE
eg: **FM135-015D**

FB135 - FLEXIBLOCK
eg: **FB135-015D**

FINISH: ZINC PLATED

STANDARD SIZES ONLY:
OTHER SIZES AVAILABLE ON REQUEST

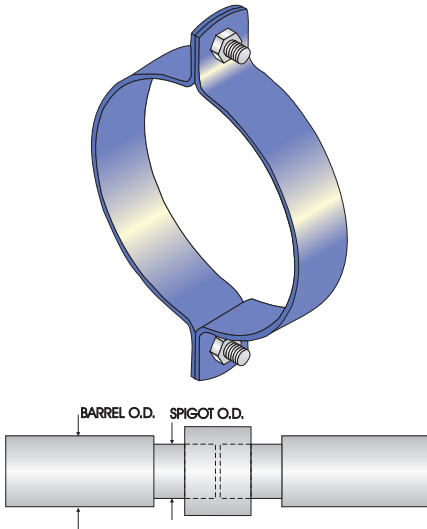
13mm 19mm 63mm 75mm 100mm
INSULATION

FERRULE WIDTH: 40mm

PART NO.	PIPE DIA.	INS.	FERRULE DIA
FM135-015D	15cu	25	13 x 65
FM135-015E		38	13 x 89
FM135-015F		50	13 x 115
FM135-015J		63	13 x 140
FM135-015K		75	13 x 165
FM135-020D	20cu	25	19 x 70
FM135-020E		38	19 x 102
FM135-020F		50	19 x 127
FM135-020J		63	19 x 152
FM135-020K		75	19 x 165
FM135-025D	25cu	25	25 x 76
FM135-025E		38	25 x 102
FM135-025F		50	25 x 127
FM135-025J		63	25 x 152
FM135-025K		75	25 x 178
FM135-032D	32cu	25	32 x 83
FM135-032E		38	32 x 115
FM135-032F		50	32 x 140
FM135-032J		63	32 x 165
FM135-032K		75	32 x 178
FM135-040D	40cu	25	38 x 89
FM135-040E		38	38 x 115
FM135-040F		50	38 x 140
FM135-040J		63	38 x 165
FM135-040K		75	38 x 190
FM135-050D	50cu	25	51 x 102
FM135-050E		38	51 x 127
FM135-050F		50	51 x 152
FM135-050J		63	51 x 178
FM135-050K		75	51 x 203

PART NO.	PIPE DIA.	INS.	FERRULE DIA
FM135-065D	65cu	25	65 x 115
FM135-065E		38	65 x 140
FM135-065F		50	65 x 165
FM135-065J		63	65 x 190
FM135-065K		75	65 x 220
FM135-080D	80cu	25	76 x 127
FM135-080E		38	76 x 152
FM135-080F		50	76 x 178
FM135-080J		63	76 x 203
FM135-080K		75	76 x 228
FM135-100D	100cu	25	102 x 152
FM135-100E		38	102 x 178
FM135-100F		50	102 x 203
FM135-100J		63	102 x 228
FM135-100K		75	102 x 252
FM135-125D	125cu	25	127 x 178
FM135-125E		38	127 x 203
FM135-125F		50	127 x 228
FM135-125J		63	127 x 252
FM135-125K		75	127 x 275
FM135-150D	150cu	25	152 x 203
FM135-150E		38	152 x 228
FM135-150F		50	152 x 252
FM135-150J		63	152 x 275
FM135-150K		75	152 x 300
FM135-200D	200cu	25	203 x 252
FM135-200E		38	203 x 275
FM135-200F		50	203 x 300
FM135-200J		63	203 x 324
FM135-200K		75	203 x 355

FM119 - STANDARD BOLTED CLAMP FOR F.R.C



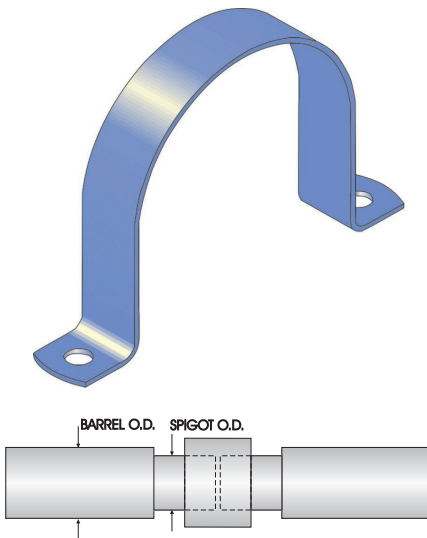
STANDARD SIZES ONLY:
OTHER SIZES AVAILABLE ON REQUEST.

SIZES BASED ON FIBRE
REINFORCED CEMENT PIPE CLASS 2.

CONFIRM PIPE O.D BEFORE PLACING ORDER.

PART NO.	PIPE SIZE	BARREL O.D	SPIGOT O.D	BOLT	MATERIAL	FINISH
FM119-257	225nb	-	257	M12 x 45	40 x 6	HDG
FM119-269	225nb	269	-	M12 x 45	40 x 6	
FM119-336	300nb	-	336	M12 x 45	40 x 6	
FM119-346	300nb	346	-	M12 x 45	40 x 6	
FM119-415	375nb	-	415	M16 x 50	50 x 6	
FM119-427	375nb	427	-	M16 x 50	50 x 10	
FM119-504	450nb	-	504	M20 x 75	50 x 10	
FM119-512	450nb	512	-	M20 x 75	50 x 10	
FM119-584	525nb	-	584	M20 x 75	75 x 10	
FM119-594	525nb	594	-	M20 x 75	75 x 10	
FM119-664	600nb	-	664	M24 x 90	75 x 12	
FM119-680	600nb	680	-	M24 x 90	75 x 12	
FM119-733	675nb	-	733	M24 x 90	75 x 16	
FM119-752	675nb	752	-	M24 x 90	75 x 16	
FM119-783	750nb	-	783	M24 x 90	75 x 16	
FM119-802	750nb	802	-	M24 x 90	75 x 16	

FM118 - STANDARD SADDLE CLAMP FOR F.R.C



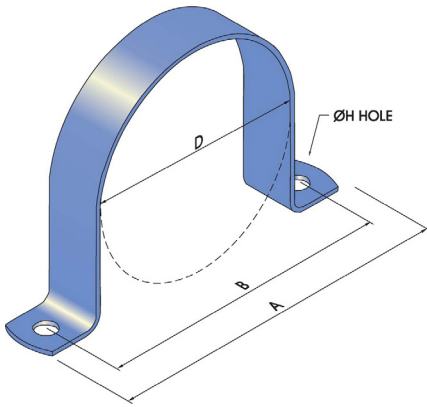
STANDARD SIZES ONLY:
OTHER SIZES AVAILABLE ON REQUEST.

SIZES BASED ON FIBRE
REINFORCED CEMENT PIPE CLASS 2.

CONFIRM PIPE O.D BEFORE PLACING ORDER.

PART NO.	PIPE SIZE	BARREL O.D	SPIGOT O.D	HOLD DIA.	MATERIAL	FINISH
FM118-257	225nb	-	257	14	40 x 6	HDG
FM118-269	225nb	269	-	14	40 x 6	
FM118-336	300nb	-	336	14	40 x 6	
FM118-346	300nb	346	-	14	40 x 6	
FM118-414	375nb	-	414	18	50 x 6	
FM118-427	375nb	427	-	18	50 x 6	
FM118-504	450nb	-	504	18	50 x 10	
FM118-512	450nb	512	-	18	50 x 10	
FM118-584	525nb	-	584	22	75 x 10	
FM118-594	525nb	594	-	22	75 x 10	
FM118-665	600nb	-	665	22	75 x 12	
FM118-680	600nb	680	-	22	75 x 12	
FM118-733	675nb	-	733	22	75 x 12	
FM118-752	675nb	752	-	22	75 x 12	
FM118-783	750nb	-	783	22	75 x 12	
FM118-802	750nb	802	-	22	75 x 12	

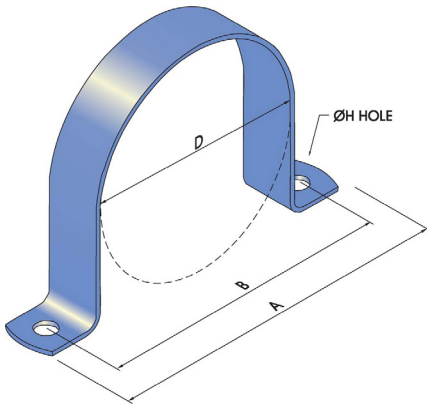
FM4 - LIGHT DUTY SADDLE CLAMP FOR STEEL PIPE



PART NO.	PIPE DIA	D	A	B	H	MATERIAL	FINISH	BOX QTY
FM4-021	15nb	21	85	61	9Ø	25 x 3	HDG & PLAIN	100
FM4-027	20nb	27	91	67	9Ø	25 x 3		50
FM4-034	25nb	34	98	74	9Ø	25 x 3		50
FM4-043	32nb	43	107	83	9Ø	25 x 3		50
FM4-048	40nb	48	112	88	9Ø	25 x 3		50
FM4-060	50nb	60	124	100	9Ø	25 x 3		50
FM4-076	65nb	76	140	116	9Ø	25 x 3		25
FM4-089	80nb	89	153	129	9Ø	25 x 3		20
FM4-115	100nb	115	178	154	9Ø	25 x 3		25
FM4-140	125nb	140	204	180	9Ø	25 x 3		25
FM4-168	150nb	168	280	240	14Ø	40 x 6		20

STANDARD SIZES SHOWN:
OTHER SIZES AVAILABLE ON REQUEST

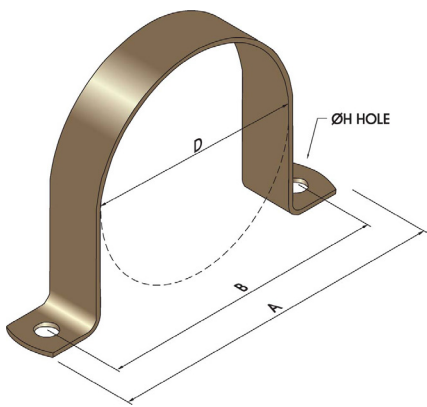
FM125 - STANDARD SADDLE CLAMP FOR STEEL PIPE



PART NO.	PIPE DIA	D	A	B	H	MATERIAL	FINISH	BOX QTY
FM125-273	250nb	273	405	345	18Ø	50 x 6	HDG & PLAIN	-
FM125-324	300nb	324	484	424	22Ø	50 x 10		-
FM125-355	350nb	355	515	455	22Ø	65 x 10		-
FM125-408	400nb	408	568	508	26Ø	75 x 10		-
FM125-457	450nb	457	607	547	26Ø	75 x 12		-

STANDARD SIZES SHOWN:
OTHER SIZES AVAILABLE ON REQUEST

FM126 - STANDARD SADDLE CLAMP FOR COPPER PIPE

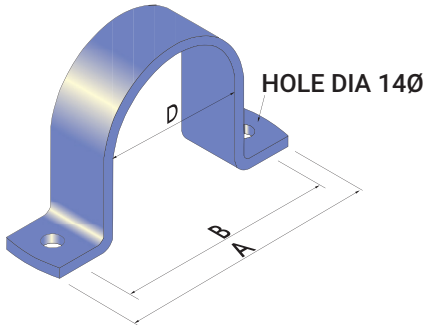


PART NO.	PIPE DIA	D	A	B	H	MATERIAL	FINISH	BOX QTY
FM126-015	15cu	12.7	78	48	9Ø	25 x 3	POLY BROWN	100
FM126-020	20cu	20	83	59	9Ø	25 x 3		100
FM126-025	25cu	25	89	65	9Ø	25 x 3		50
FM126-032	32cu	32	96	72	9Ø	25 x 3		50
FM126-038	40cu	38	102	78	9Ø	25 x 3		50
FM126-051	50cu	51	115	91	9Ø	25 x 3		50
FM126-064	65cu	64	128	104	9Ø	25 x 3		50
FM126-076	80cu	76	140	116	9Ø	25 x 3		-
FM126-102	100cu	102	166	142	9Ø	25 x 3		-
FM126-127	125cu	127	191	167	9Ø	25 x 3		-
FM126-152	150cu	152	248	208	14Ø	40 x 6		-
FM126-203	200cu	204	299	259	14Ø	40 x 6		-

STANDARD SIZES SHOWN:
OTHER SIZES AVAILABLE ON REQUEST

NOTE: USE FM133A BARRIER STRIP
WHEN BOLTED TO FLEXISTRUT CHANNEL

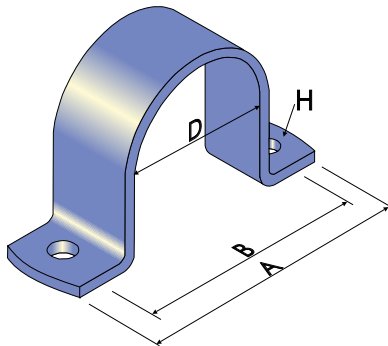
FM15 - MEDIUM DUTY SADDLES



STANDARD FINISHES ONLY:
OTHER FINISHES AVAILABLE ON REQUEST

PART NO.	PIPE DIA.	D	A	B	MATERIAL	FINISH	BOX QTY
FM15-021	15nb	21	115	75	40 x 5	HDG & 316 SS	50
FM15-025	25cu	25	119	79	40 x 5		25
FM15-027	20nb	27	121	81	40 x 5		25
FM15-032	32cu	32	126	86	40 x 5		25
FM15-034	25nb	34	128	88	40 x 5		25
FM15-038	40cu	38	132	92	40 x 5		20
FM15-043	32nb	43	137	97	40 x 5		20
FM15-048	40nb	48	142	102	40 x 5		20
FM15-051	50cu	51	145	105	40 x 5		20
FM15-060	50nb	60	154	114	40 x 5		10
FM15-064	65cu	64	158	118	40 x 5		10
FM15-073	65nb	73	167	127	40 x 5		10
FM15-076	80cu	76	170	130	40 x 5		5
FM15-089	80nb	89	183	143	40 x 5		5
FM15-102	102cu	102	196	156	40 x 5		5
FM15-110	110ns	110	204	164	40 x 5		5
FM15-115	100nb	115	210	170	40 x 6		5
FM15-127	127cu	127	223	183	40 x 6		5
FM15-140	125nb	140	236	196	40 x 6		5
FM15-152	152cu	152	248	208	40 x 6		5
FM15-165	150nb	165	261	221	40 x 6		5
FM15-168	150nb	168	261	224	40 x 6		5
FM15-203	200cu	203	299	259	40 x 6		5
FM15-220	200nb	220	315	275	40 x 6		5
FM15-252	252ns	252	346	308	40 x 6		5
FM15-275	250nb	275	370	330	40 x 6		5
FM15-300	300ns	300	395	355	40 x 6		5
FM15-304	305ns	305	400	360	40 x 6		5
FM15-315	315ns	315	410	370	40 x 6		5
FM15-324	300nb	324	419	379	40 x 6		5
FM15-355	350nb	355	450	410	40 x 6		5
FM15-400	400ns	400	495	455	40 x 6		5
FM15-406	400nb	406	501	461	40 x 6	5	

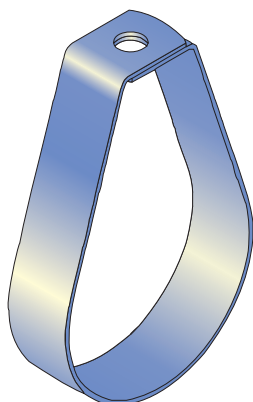
FM30 - HEAVY DUTY SADDLE CLAMP



STANDARD FINISHES ONLY:
OTHER FINISHES AVAILABLE ON REQUEST

PART NO.	A	B	D	H	HOLE DIA.	MATERIAL	FINISH	BOX QTY
FM30-168	234	260	168	22	22Ø	75 x 10	HDG	1
FM30-219	375	310	219	22	22Ø	75 x 10		1
FM30-273	428	364	273	22	22Ø	75 x 10		1
FM30-324	479	415	324	22	22Ø	75 x 10		1
FM30-356	511	447	356	22	22Ø	75 x 10		1
FM30-406	561	497	406	26	26Ø	90 x 12		1
FM30-457	612	548	457	26	26Ø	90 x 12		1
FM30-508	663	600	508	26	26Ø	90 x 12		1

EF500 - PEAR BAND FOR STEEL PIPE



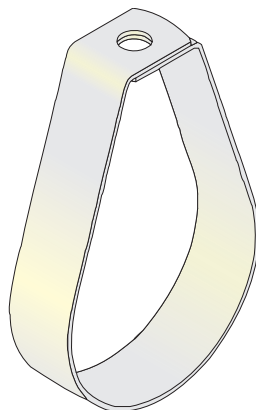
PART NO.	PIPE DIA.	MATERIAL	SUIT ROD	FINISH	BOX QTY
EF500-027	20nb	25 x 1.6	M10	GALVABOND, HDG & 316 SS	100
EF500-034	25nb	25 x 1.6	M10		100
EF500-043	32nb	25 x 1.6	M10		100
EF500-048	40nb	25 x 1.6	M10		100
EF500-060	50nb	25 x 1.6	M10		100
EF500-076	65nb	32 x 2	M12		50
EF500-089	80nb	32 x 2	M12		50
EF500-115	100nb	32 x 2	M12		20
EF500-140	125nb	40 x 3	M12		20
EF500-165	150nb	40 x 3	M12		20
EF500-220	200nb	40 x 3	M16		1

EC500 - PEAR BAND FOR COPPER PIPE



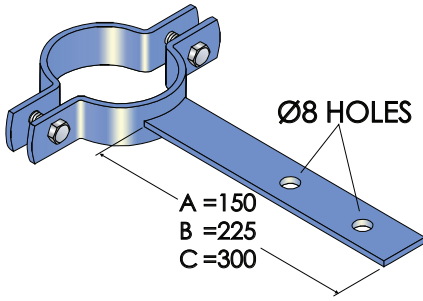
PART NO.	PIPE DIA.	MATERIAL	SUIT ROD	FINISH	BOX QTY
EC500-032	32cu	25 x 1.6	M10	POLY BROWN	100
EC500-038	40cu	25 x 1.6	M10		100
EC500-051	50cu	25 x 1.6	M10		100
EC500-064	65cu	32 x 2	M10		50
EC500-076	80cu	32 x 2	M10		50
EC500-102	100cu	32 x 2	M10		20
EC500-127	125cu	32 x 2	M12		20
EC500-152	150cu	40 x 3	M12		20

EP500 - PEAR BAND FOR P.V.C PIPE



PART NO.	PIPE DIA.	MATERIAL	SUIT ROD	FINISH	BOX QTY
EP500-038	32 PVC	25 x 1.6	M10	POLY WHITE	100
EP500-043	40 DWV	25 x 1.6	M10		100
EP500-048	40 Pressure	25 x 1.6	M10		100
EP500-060	50 PVC	25 x 1.6	M10		100
EP500-076	65 PVC	32 x 2	M10		50
EP500-089	80 PVC	32 x 2	M10		50
EP500-115	100 PVC	32 x 2	M10		20
EP500-140	125 PVC	32 x 2.5	M12		20
EP500-165	150 PVC	32 x 2.5	M12		20

300 SERIES SHANK CLIP

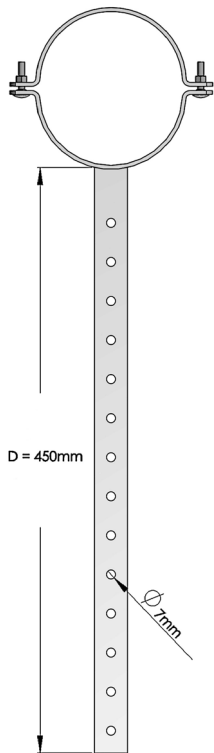


ORDER EXAMPLE:

EC300-051B DENOTES 50cu + 225mm SHANK
 SHANK MATERIAL: 25 mm x 3 mm

NOM. SIZE	PART NUMBERS			
	COPPER	STEEL	DWV P.V.C.	PRESS P.V.C.
15	EC300-015	ES300-021		EH300-021
20	EC300-020	ES300-027		EH300-027
25	EC300-025	ES300-034		EH300-034
32	EC300-032	ES300-043	EP300-038	EH300-043
40	EC300-038	ES300-048	EP300-043	EH300-048
50	EC300-051	ES300-060	EP300-060	EH300-060
65	EC300-064	ES300-076	EP300-076	EH300-076
80	EC300-076	ES300-089	EP300-083	EH300-089
100	EC300-102	ES300-115	EP300-115	EH300-115
125	EC300-127	ES300-140	EP300-140	EH300-140
150	EC300-152	ES300-165	EP300-165	EH300-165
FINISH	POLY BROWN	HDG	POLY WHITE	POLY WHITE

300 SERIES SHANK CLIP

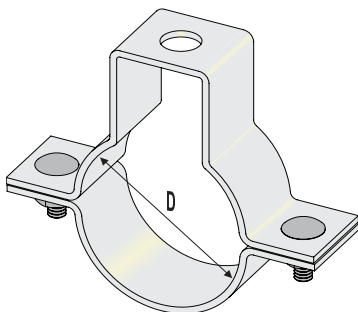


PART NO	PIPE SIZE	LENGTH	BOX QTY
EPF300-038D	32 PVC	450	1
EPF300-043D	40 PVC	450	1
EPF300-076D	65 PVC	450	1
EPF300-083D	80 PVC	450	1
EPF300-115D	100 PVC	450	1
EPF300-140D	125 PVC	450	1
EPF300-165D	150 PVC	450	1

FINISH: POLY WHITE
 SHANK MATERIAL: 25 mm x 1.2 mm

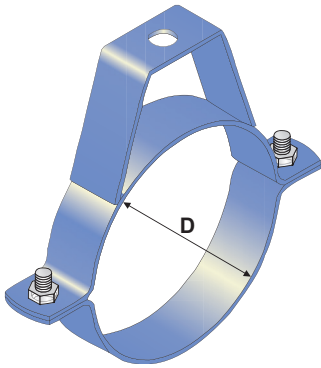
FLEXIBLE HANGING/SHANK

EP8 - PVC LIGHT DUTY YOKE CLAMP



PART NO.	PIPE DIA	D	HOLE DIA	BOLT	MATERIAL	FINISH	BOX QTY
EP8-043	40 PVC	43	11Ø	1/4" x 1"	20 x 2	POLY WHITE	25
EP8-056	50 PVC	56	11Ø	1/4" x 1"	20 x 2		20
EP8-070	65 PVC	70	11Ø	1/4" x 1"	20 x 2		25
EP8-083	80 PVC	83	11Ø	1/4" x 1"	20 x 2		20
EP8-110	100 PVC	110	11Ø	1/4" x 1"	20 x 2		20
EP8-160	150 PVC	160	11Ø	1/4" x 1"	25 x 3		10

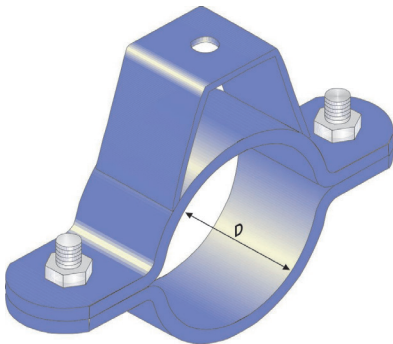
FM8 - LIGHT DUTY YOKE CLAMP



OTHER FINISHES AVAILABLE ON REQUEST

PART NO.	PIPE DIA.	D	HOLE DIA	BOLT	MATERIAL	FINISH	BOX QTY
FM8-020	20cu	19	11Ø	M6 x 25	20 x 3	HDG & 316 SS	25
FM8-021	15nb	21	11Ø	M6 x 25	20 x 3		25
FM8-025	25cu	25	11Ø	M6 x 25	20 x 3		25
FM8-027	20nb	27	11Ø	M6 x 25	20 x 3		25
FM8-032	32cu	32	11Ø	M6 x 25	20 x 3		25
FM8-034	25nb	34	11Ø	M6 x 25	20 x 3		25
FM8-038	40cu	38	11Ø	M6 x 25	20 x 3		20
FM8-043	32nb	43	11Ø	M6 x 25	20 x 3		20
FM8-048	40nb	48	11Ø	M6 x 25	20 x 3		20
FM8-051	50cu	51	11Ø	M6 x 25	20 x 3		20
FM8-060	50nb	60	11Ø	M6 x 25	20 x 3		20
FM8-064	65cu	64	11Ø	M6 x 25	20 x 3		20
FM8-076	65nb/80cu	76	11Ø	M6 x 25	20 x 3		20
FM8-089	80nb	89	11Ø	M6 x 25	20 x 3		20
FM8-102	102cu	102	11Ø	M6 x 25	20 x 3		20
FM8-115	100nb	115	11Ø	M8 x 30	25 x 3		20
FM8-127	125cu	127	11Ø	M8 x 30	25 x 3		10
FM8-140	125nb	140	11Ø	M8 x 30	25 x 3		10
FM8-152	150cu	152	11Ø	M8 x 30	25 x 5		10
FM8-168	150nb	168	11Ø	M8 x 30	25 x 5		10

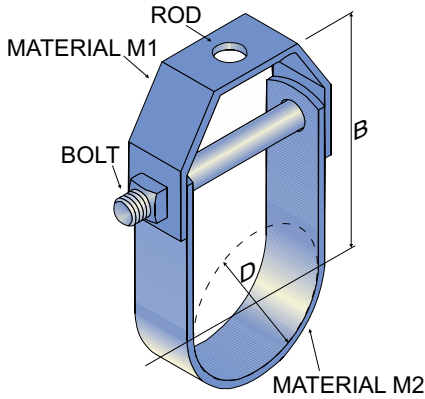
FM18 - MEDIUM DUTY YOKE CLAMP



OTHER FINISHES AVAILABLE ON REQUEST

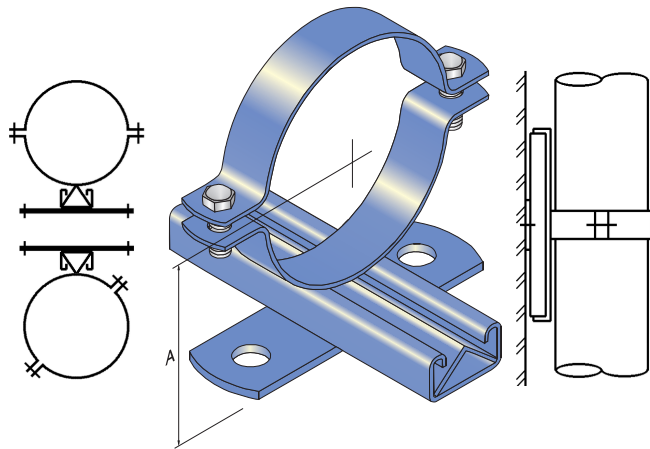
PART NO.	PIPE DIA.	D	HOLE DIA	BOLT	MATERIAL	FINISH	BOX QTY
FM18-060	50nb	60	14Ø	M12 x 45	40 x 6	HDG & 316 SS	10
FM18-064	64cu	64	14Ø	M12 x 45	40 x 6		10
FM18-073	65nb	73	14Ø	M12 x 45	40 x 6		10
FM18-076	65nb/80cu	76	14Ø	M12 x 45	40 x 6		10
FM18-089	80nb	89	14Ø	M12 x 45	40 x 6		10
FM18-102	100cu	102	14Ø	M12 x 45	40 x 6		10
FM18-115	100nb	115	14Ø	M12 x 45	40 x 6		5
FM18-127	125cu	127	14Ø	M12 x 45	40 x 6		5
FM18-140	125nb	140	14Ø	M12 x 45	40 x 6		5
FM18-152	152cu	152	14Ø	M12 x 45	40 x 6		5
FM18-168	150nb	168	14Ø	M12 x 45	40 x 6		5
FM18-178	178ns	178	14Ø	M12 x 45	40 x 6		5
FM18-190	190ns	190	14Ø	M12 x 45	40 x 6		5
FM18-203	200cu	203	14Ø	M12 x 45	40 x 6		5
FM18-220	200nb	220	14Ø	M12 x 45	40 x 6		5
FM18-228	228ns	228	14Ø	M12 x 45	40 x 6		5
FM18-240	240ns	240	14Ø	M12 x 45	40 x 6		5
FM18-252	250cu	252	14Ø	M12 x 45	40 x 6		5
FM18-275	250nb	275	18Ø	M12 x 45	40 x 6		5
FM18-304	300cu	304	18Ø	M12 x 45	40 x 6		5
FM18-315	315ns	304	18Ø	M12 x 45	40 x 6	5	
FM18-324	300nb	324	18Ø	M12 x 45	40 x 6	5	

FM160 - STANDARD CLEVIS PIPE HANGER



PART NO.	PIPE SIZE	D	B	ROD	BOLT	M1	M2	FINISH	BOX QTY
FM160-021	15nb	21	80	11Ø	M10 x 55	25 x 5	25 x 5	HDG	1
FM160-025	25cu	25	80	11Ø	M10 x 60	25 x 5	25 x 5		1
FM160-027	20nb	27	80	11Ø	M10 x 60	25 x 5	25 x 5		1
FM160-032	32cu	32	85	11Ø	M10 x 70	25 x 5	25 x 5		1
FM160-034	25nb	34	85	11Ø	M10 x 70	25 x 5	25 x 5		1
FM160-038	40cu	38	98	11Ø	M10 x 70	25 x 5	25 x 5		1
FM160-043	32nb	43	98	11Ø	M10 x 85	25 x 5	25 x 5		1
FM160-048	40nb	48	98	11Ø	M10 x 85	25 x 5	25 x 5		1
FM160-051	50cu	51	98	11Ø	M10 x 85	25 x 5	25 x 5		1
FM160-060	50nb	60	100	11Ø	M10 x 95	25 x 5	25 x 5		1
FM160-064	65cu	64	100	14Ø	M12 x 110	32 x 5	32 x 5		1
FM160-076	65nb/76cu	76	120	14Ø	M12 x 110	32 x 5	32 x 5		1
FM160-089	80nb	89	125	14Ø	M12 x 130	32 x 5	32 x 5		1
FM160-102	100cu	102	135	14Ø	M12 x 150	32 x 5	32 x 5		1
FM160-115	100nb	115	145	18Ø	M16 x 180	32 x 6	32 x 5		1
FM160-127	125cu	127	150	18Ø	M16 x 180	32 x 6	32 x 5		1
FM160-140	125nb	140	165	18Ø	M16 x 180	32 x 6	32 x 5		1
FM160-152	150cu	152	190	18Ø	M16 x 190	40 x 6	40 x 5		1
FM160-168	150nb	168	190	22Ø	M20 x 220	40 x 6	40 x 5		1
FM160-204	200cu	204	215	22Ø	M20 x 240	40 x 8	40 x 6		1
FM160-220	200nb	220	215	22Ø	M20 x 260	40 x 10	40 x 6		1
FM160-250	250cu	250	245	26Ø	M20 x 300	50 x 8	50 x 6		1
FM160-273	250nb	273	245	26Ø	M20 x 325	50 x 8	50 x 6		1
FM160-324	300nb	324	275	26Ø	M20 x 375	50 x 10	50 x 6		1
FM160-355	350nb	355	310	26Ø	M24 x 425	50 x 12	50 x 6		1
FM160-406	400nb	406	350	26Ø	M24 x 475	65 x 12	65 x 6		1
FM160-457	450nb	457	410	32Ø	M24 x 525	65 x 12	65 x 6		1
FM160-508	500nb	508	430	32Ø	M24 x 600	75 x 16	75 x 10		1

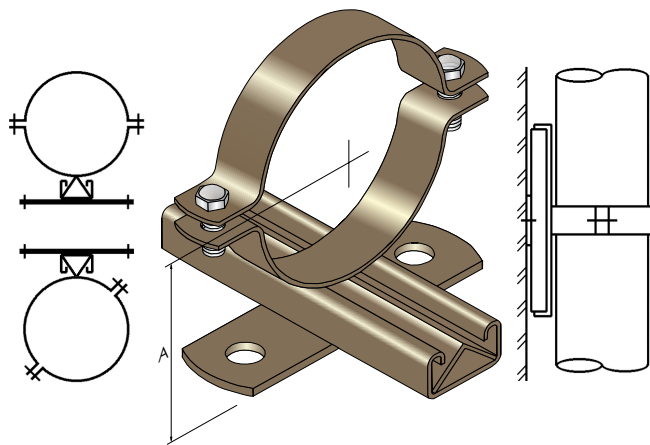
FM140 - LIGHT DUTY SLIDE GUIDE FOR STEEL PIPE



FM140 LIGHT DUTY SLIDE GUIDE FOR STEEL PIPE			
PART NO.	PIPE SIZE	A	FINISH
FM140-021	15nb	54	HDG
FM140-027	20nb	57	
FM140-034	25nb	60	
FM140-043	32nb	65	
FM140-048	40nb	67	
FM140-060	50nb	73	
FM140-076	65nb	81	
FM140-089	80nb	88	
FM140-115	100nb	101	
FM140-140	125nb	115	
FM140-168	150nb	129	

'A' DIMENSION IS A MINIMUM,
CAN BE INCREASED TO SUIT INDIVIDUAL ON-SITE REQUIREMENTS

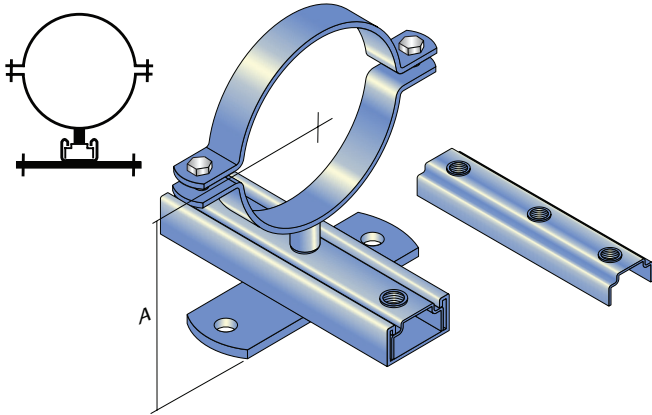
FM140 - LIGHT DUTY SLIDE GUIDE FOR COPPER PIPE



FM140 LIGHT DUTY SLIDE GUIDE FOR COPPER PIPE			
PART NO.	PIPE SIZE	A	FINISH
FM140-015	15cu	49	POLY BROWN
FM140-020	20cu	53	
FM140-025	25cu	56	
FM140-032	32cu	59	
FM140-038	40cu	62	
FM140-051	50cu	73	
FM140-064	65cu	76	
FM140-076	80cu	81	
FM140-102	100cu	94	
FM140-127	125cu	108	
FM140-152	150cu	121	

'A' DIMENSION IS A MINIMUM,
CAN BE INCREASED TO SUIT INDIVIDUAL ON-SITE REQUIREMENTS

FM140-3H - LIGHT DUTY SLIDE GUIDE FOR STEEL PIPE

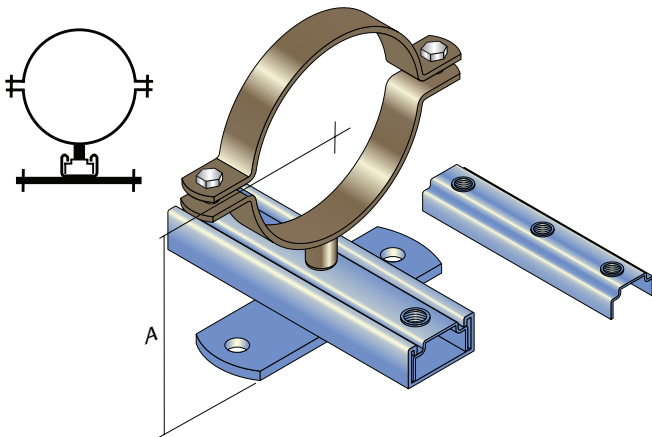


FM140-3H LIGHT DUTY SLIDE GUIDE FOR STEEL PIPE			
PART NO.	PIPE SIZE	A	FINISH
FM140-3H-021	15nb	64	ZINC
FM140-3H-027	20nb	67	
FM140-3H-034	25nb	70	
FM140-3H-043	32nb	75	
FM140-3H-048	40nb	77	
FM140-3H-060	50nb	83	
FM140-3H-076	65nb	90	
FM140-3H-089	80nb	98	
FM140-3H-115	100nb	111	
FM140-3H-140	125nb	117	
FM140-3H-168	150nb	139	

'A' DIMENSION IS A MINIMUM,
CAN BE INCREASED TO SUIT INDIVIDUAL ON-SITE REQUIREMENTS

HDG FINISH AVAILBLE ON REQUEST

FM140-3H - LIGHT DUTY SLIDE GUIDE FOR COPPER PIPE

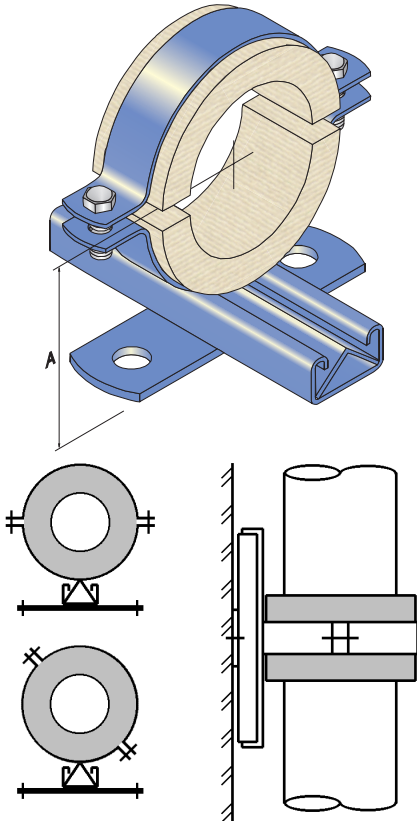


FM140-3H LIGHT DUTY SLIDE GUIDE FOR COPPER PIPE			
PART NO.	PIPE SIZE	A	FINISH
FM140-3H-015	15cu	55	POLY BROWN
FM140-3H-020	20cu	63	
FM140-3H-025	25cu	66	
FM140-3H-032	32cu	69	
FM140-3H-038	40cu	72	
FM140-3H-051	50cu	79	
FM140-3H-064	65cu	86	
FM140-3H-076	80cu	91	
FM140-3H-102	100cu	104	
FM140-3H-127	125cu	118	
FM140-3H-152	150cu	131	

'A' DIMENSION IS A MINIMUM,
CAN BE INCREASED TO SUIT INDIVIDUAL ON-SITE REQUIREMENTS

HDG FINISH AVAILBLE ON REQUEST

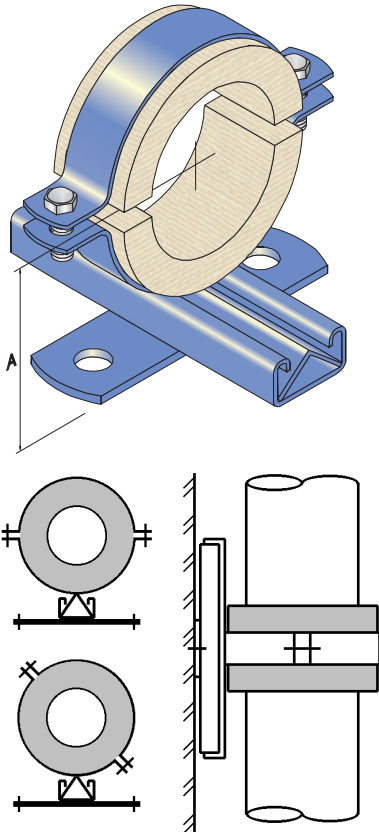
FM141 - LIGHT DUTY SLIDE GUIDE AND TIMBER FERRULE FOR STEEL PIPE



'A' DIMENSION IS A MINIMUM,
CAN BE INCREASED TO SUIT
INDIVIDUAL ON-SITE REQUIREMENTS

PART NO.	PIPE DIA.	INS.	FERRULE DIA.	FERRULE WIDTH	A	FINISH
FM141-015A	15nb	25	21 x 73	40	80	HDG
FM141-015B		38	21 x 102	40	94	
FM141-015C		50	21 x 127	40	109	
FM141-015G		63	21 x 152	40	121	
FM141-015H		75	21 x 178	40	134	
FM141-020A	20nb	25	27 x 76	40	80	
FM141-020B		38	27 x 102	40	94	
FM141-020C		50	27 x 127	40	109	
FM141-020G		63	27 x 152	40	121	
FM141-020H		75	27 x 178	40	134	
FM141-025A	25nb	25	34 x 83	40	85	
FM141-025B		38	34 x 115	40	101	
FM141-025C		50	34 x 140	40	115	
FM141-025G		63	34 x 165	40	128	
FM141-025H		75	34 x 190	40	140	
FM141-032A	32nb	25	43 x 89	40	88	
FM141-032B		38	43 x 115	40	101	
FM141-032C		50	43 x 140	40	115	
FM141-032G		63	43 x 168	40	129	
FM141-032H		75	43 x 190	40	140	
FM141-040A	40nb	25	48 x 102	40	94	
FM141-040B		38	48 x 127	40	109	
FM141-040C		50	48 x 152	40	121	
FM141-040G		63	48 x 178	40	134	
FM141-040H		75	48 x 203	80	147	
FM141-050A	50nb	25	60 x 115	40	101	
FM141-050B		38	60 x 140	40	115	
FM141-050C		50	60 x 165	40	128	
FM141-050G		63	60 x 190	40	140	
FM141-050H		75	60 x 203	80	147	
FM141-065A	65nb	25	73 x 127	40	109	
FM141-065B		38	73 x 152	40	121	
FM141-065C		50	73 x 178	40	134	
FM141-065G		63	73 x 203	80	147	
FM141-065H		75	73 x 228	80	159	
FM141-080A	80nb	25	89 x 140	40	115	
FM141-080B		38	89 x 165	40	128	
FM141-080C		50	89 x 190	40	140	
FM141-080G		63	89 x 220	80	155	
FM141-080H		75	89 x 240	80	165	
FM141-100A	100nb	25	115 x 165	40	128	
FM141-100B		38	115 x 190	40	140	
FM141-100C		50	115 x 220	80	155	
FM141-100G		63	115 x 240	80	165	
FM141-100H		75	115 x 268	80	179	

FM141 - LIGHT DUTY SLIDE GUIDE AND TIMBER FERRULE FOR COPPER PIPE

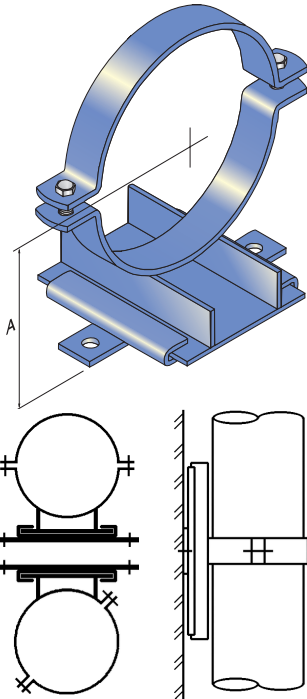


'A' DIMENSION IS A MINIMUM,
CAN BE INCREASED TO SUIT
INDIVIDUAL ON-SITE REQUIREMENTS

PART NO.	PIPE DIA.	INS.	FERRULE DIA.	FERRULE WIDTH	A	FINISH
FM141-015D	15cu	25	13 x 65	40	76	HDG
FM141-015E		38	13 x 89	40	88	
FM141-015F		50	13 x 115	40	101	
FM141-015J		63	13 x 140	40	115	
FM141-015K		75	13 x 165	40	128	
FM141-020D	20cu	25	19 x 70	40	78	
FM141-020E		38	19 x 102	40	94	
FM141-020F		50	19 x 127	40	109	
FM141-020J		63	19 x 152	40	121	
FM141-020K		75	19 x 165	40	129	
FM141-025D	25cu	25	25 x 76	40	80	
FM141-025E		38	25 x 102	40	94	
FM141-025F		50	25 x 127	40	109	
FM141-025J		63	25 x 152	40	121	
FM141-025K		75	25 x 178	40	134	
FM141-032D	32cu	25	32 x 83	40	85	
FM141-032E		38	32 x 115	40	101	
FM141-032F		50	32 x 140	40	115	
FM141-032J		63	32 x 165	40	128	
FM141-032K		75	32 x 178	40	134	
FM141-040D	40cu	25	38 x 89	40	88	
FM141-040E		38	38 x 115	40	101	
FM141-040F		50	38 x 140	40	115	
FM141-040J		63	38 x 165	40	128	
FM141-040K		75	38 x 190	40	140	
FM141-050D	50cu	25	51 x 102	40	94	
FM141-050E		38	51 x 127	40	109	
FM141-050F		50	51 x 152	40	121	
FM141-050J		63	51 x 178	40	134	
FM141-050K		75	51 x 203	80	147	
FM141-065D	65cu	25	65 x 115	40	101	
FM141-065E		38	65 x 140	40	115	
FM141-065F		50	65 x 165	40	128	
FM141-065J		63	65 x 190	40	140	
FM141-065K		75	65 x 220	80	155	
FM141-080D	80cu	25	76 x 127	40	109	
FM141-080E		38	76 x 152	40	121	
FM141-080F		50	76 x 178	40	134	
FM141-080J		63	76 x 203	80	147	
FM141-080K		75	76 x 228	80	159	
FM141-100D	100cu	25	102 x 152	40	121	
FM141-100E		38	102 x 178	40	134	
FM141-100F		50	102 x 203	80	147	
FM141-100J		63	102 x 228	80	159	
FM141-100K		75	102 x 252	80	171	

HDG

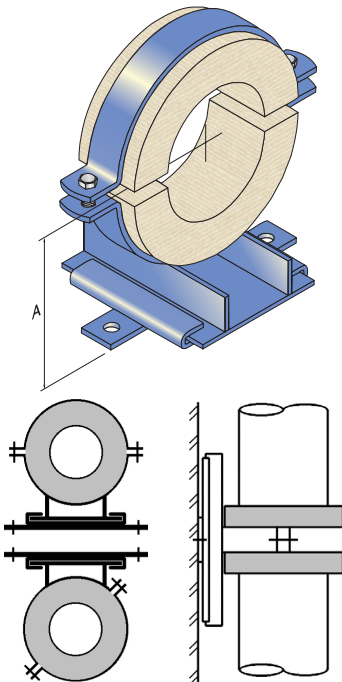
FM142 - HEAVY DUTY SLIDE GUIDE FOR STEEL PIPE



FM142 HEAVY DUTY SLIDE GUIDE FOR STEEL PIPE			
PART NO.	PIPE SIZE	A	FINISH
FM142-115	100nb	115	HDG
FM142-140	125nb	126	
FM142-168	150nb	142	
FM142-220	200nb	168	
FM142-273	250nb	195	
FM142-324	300nb	242	
FM142-355	350nb	258	
FM142-406	400nb	283	
FM142-508	500nb	333	
FM142-610	600nb	385	

'A' DIMENSION IS A MINIMUM,
CAN BE INCREASED TO SUIT
INDIVIDUAL ON-SITE REQUIREMENTS

FM143 - HEAVY DUTY SLIDE GUIDE AND TIMBER FERRULE FOR STEEL PIPE



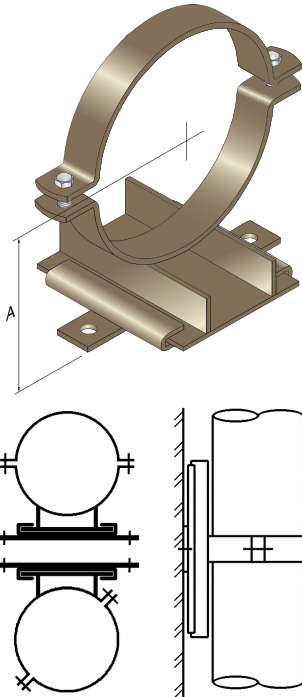
PART NO.	PIPE DIA.	INS.	FERRULE DIA	A	PART NO.	PIPE DIA.	INS.	FERRULE DIA	A
FM143-125A	125nb	25	140 x 190	153	FM143-300A	300nb	25	324 x 375	268
FM143-125B		38	140 x 220	168	FM143-300B		38	324 x 406	283
FM143-125C		50	140 x 240	178	FM143-300C		50	324 x 424	292
FM143-125G		63	140 x 268	192	FM143-300G		63	324 x 456	309
FM143-125H		75	140 x 300	208	FM143-300H		75	324 x 475	318
FM143-150A	150nb	25	165 x 220 168 x 220	168	FM143-350A	350nb	25	356 x 406	283
FM143-150B		38	165 x 240 168 x 240	178	FM143-350B		38	356 x 424	292
FM143-150C		50	165 x 268 168 x 268	192	FM143-350C		50	356 x 457	309
FM143-150G		63	165 x 300 168 x 300	208	FM143-350G		63	356 x 485	321
FM143-150H		75	165 x 324 168 x 324	220	FM143-350H		75	356 x 508	334
FM143-200A	200nb	25	219 x 275	196	FM143-400A	400nb	25	406 x 457	309
FM143-200B		38	219 x 300	208	FM143-400B		38	406 x 483	321
FM143-200C		50	219 x 324	220	FM143-400C		50	406 x 508	334
FM143-200G		63	219 x 355	236	FM143-400G		63	406 x 536	347
FM143-200H		75	219 x 375	246	FM143-400H		75	406 x 556	359
FM143-250A	250nb	25	273 x 324	220	FM143-450A	450nb	25	457 x 508	334
FM143-250B		38	273 x 356	236	FM143-450B		38	457 x 532	347
FM143-250C		50	273 x 375	246	FM143-450C		50	457 x 557	359
FM143-250G		63	273 x 406	283	FM143-450G		63	457 x 587	374
FM143-250H		75	273 x 424	292	FM143-450H		75	457 x 610	386

FINISH: HDG

'A' DIMENSION IS A MINIMUM,
CAN BE INCREASED TO SUIT
INDIVIDUAL ON-SITE REQUIREMENTS

FERRULE WIDTH: ≤200 = 40mm, ≥200 = 80mm

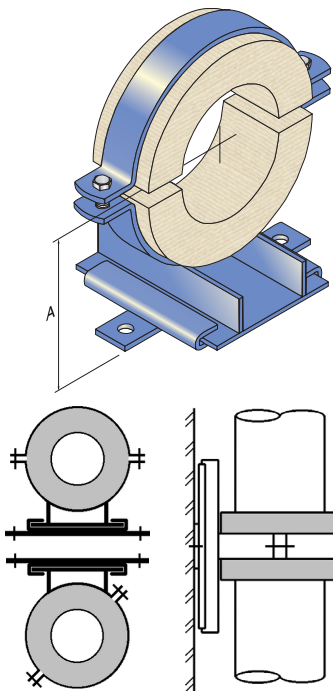
FM142 - HEAVY DUTY SLIDE GUIDE FOR COPPER PIPE



FM142 HEAVY DUTY SLIDE GUIDE FOR COPPER PIPE			
PART NO.	PIPE SIZE	A	FINISH
FM142-102	100cu	109	POLY BROWN
FM142-127	125cu	121	
FM142-152	150cu	134	
FM142-203	200cu	160	
FM142-254	250cu	185	
FM142-304	300cu	210	

'A' DIMENSION IS A MINIMUM, CAN BE INCREASED TO SUIT INDIVIDUAL ON-SITE REQUIREMENTS

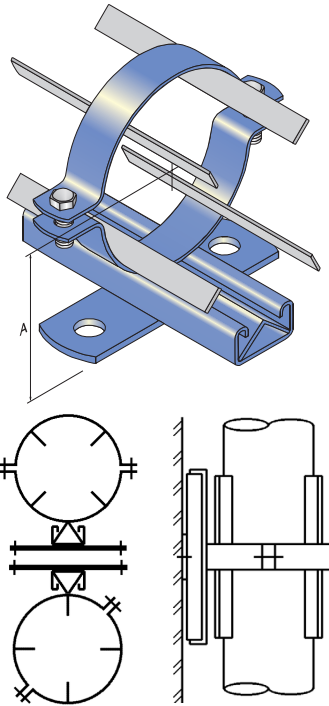
FM143 - HEAVY DUTY SLIDE GUIDE AND TIMBER FERRULE FOR COPPER PIPE



PART NO.	PIPE DIA.	INS.	FERRULE DIA	FERRULE WIDTH	A	FINISH
FM143-125D	125cu	25	127 x 178	40	147	HDG
FM143-125E		38	127 x 203		80	
FM143-125F		50	127 x 228	172		
FM143-125J		63	127 x 252	184		
FM143-125K		75	127 x 275	196		
FM143-150D	150cu	25	152 x 203	80	161	
FM143-150E		38	152 x 228		80	
FM143-150F		50	152 x 252	184		
FM143-150J		63	152 x 275	196		
FM143-150K		75	152 x 300	208		
FM143-200D	200cu	25	203 x 252	80	184	
FM143-200E		38	203 x 275		80	196
FM143-200F		50	203 x 300	208		
FM143-200J		63	203 x 324	223		
FM143-200K		75	203 x 355	236		
FM143-250D	250cu	25	254 x 300	80	208	
FM143-250E		38	254 x 324		80	223
FM143-250F		50	254 x 355	236		
FM143-250J		63	254 x 375	268		
FM143-250K		75	254 x 406	283		

'A' DIMENSION IS A MINIMUM, CAN BE INCREASED TO SUIT INDIVIDUAL ON-SITE REQUIREMENTS

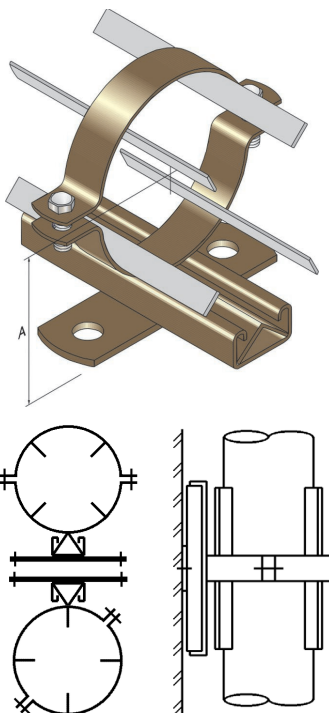
FM144 - LIGHT DUTY SLIDE GUIDE FOR STEAM AND CONDENSATE STEEL PIPE



'A' DIMENSION IS A MINIMUM, CAN BE INCREASED TO SUIT INDIVIDUAL ON-SITE REQUIREMENTS

PART NO.	PIPE DIA.	INS.	SIZE	A	FINISH
FM144-015A	15nb	25	21 x 76	80	HDG
FM144-015B		38	21 x 102	94	
FM144-015C		50	21 x 127	109	
FM144-020A	20nb	25	27 x 76	80	
FM144-020B		38	27 x 102	94	
FM144-020C		50	27 x 127	109	
FM144-025A	25nb	25	34 x 83	85	
FM144-025B		38	34 x 115	101	
FM144-025C		50	34 x 140	115	
FM144-032A	32nb	25	43 x 89	88	
FM144-032B		38	43 x 115	101	
FM144-032C		50	43 x 140	115	
FM144-040A	40nb	25	48 x 102	94	
FM144-040B		38	48 x 127	109	
FM144-040C		50	48 x 152	121	
FM144-050A	50nb	25	60 x 115	101	
FM144-050B		38	60 x 140	115	
FM144-050C		50	60 x 165	128	
FM144-065A	65nb	25	73 x 127	109	
FM144-065B		38	73 x 152	121	
FM144-065C		50	73 x 178	134	
FM144-080A	80nb	25	89 x 140	115	
FM144-080B		38	89 x 165	128	
FM144-080C		50	89 x 190	140	
FM144-100A	100nb	25	115 x 165	128	
FM144-100B		38	115 x 190	140	
FM144-100C		50	115 x 220	155	

FM144 - LIGHT DUTY SLIDE GUIDE FOR STEAM AND CONDENSATE COPPER PIPE

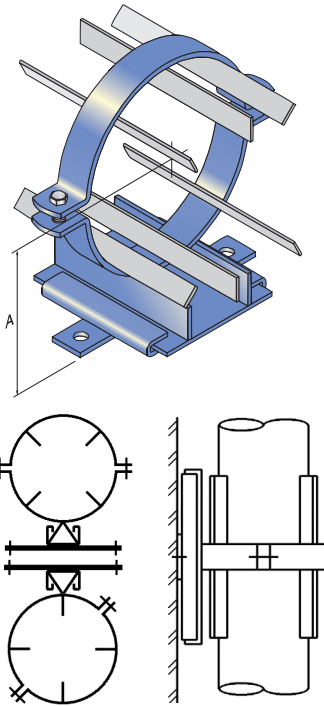


FINISH: POLY BROWN

PART NO.	PIPE DIA.	INS.	SIZE	A	PART NO.	PIPE DIA.	INS.	SIZE	A
FM144-015D	15cu	25	13 x 65	76	FM144-050D	50cu	25	51 x 102	94
FM144-015E		38	13 x 89	88	FM144-050E		38	51 x 127	109
FM144-015F		50	13 x 115	101	FM144-050F		50	51 x 152	121
FM144-020D	20cu	25	19 x 70	78	FM144-065D	65cu	25	65 x 115	101
FM144-020E		38	19 x 102	94	FM144-065E		38	65 x 140	115
FM144-020F		50	19 x 127	109	FM144-065F		50	65 x 165	128
FM144-025D	25cu	25	25 x 76	80	FM144-080D	80cu	25	76 x 127	109
FM144-025E		38	25 x 102	94	FM144-080E		38	76 x 152	121
FM144-025F		50	25 x 127	109	FM144-080F		50	76 x 178	134
FM144-032D	32cu	25	32 x 83	85	FM144-100D	100cu	25	102 x 152	121
FM144-032E		38	32 x 115	101	FM144-100E		38	102 x 178	134
FM144-032F		50	32 x 140	115	FM144-100F		50	102 x 203	147
FM144-040D	40cu	25	38 x 89	88					
FM144-040E		38	38 x 115	101					
FM144-040F		50	38 x 140	115					

'A' DIMENSION IS A MINIMUM, CAN BE INCREASED TO SUIT INDIVIDUAL ON-SITE REQUIREMENTS

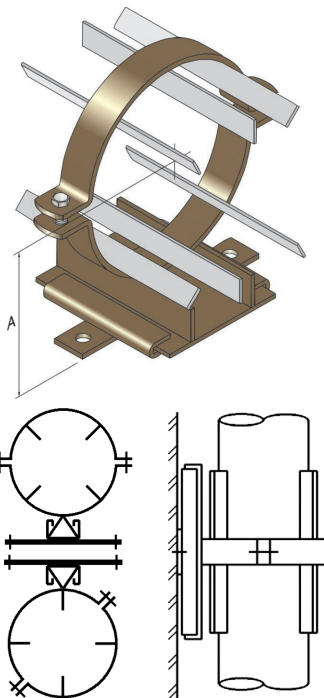
FM145 - HEAVY DUTY SLIDE GUIDE FOR STEAM AND CONDENSATE STEEL PIPE



'A' DIMENSION IS A MINIMUM,
CAN BE INCREASED TO SUIT
INDIVIDUAL ON-SITE REQUIREMENTS

PART NO.	PIPE DIA.	INS.	SIZE	A	FINISH
FM145-125A	125nb	25	140 x 190	153	HDG
FM145-125B		38	140 x 220	168	
FM145-125C		50	140 x 240	178	
FM145-150A	150nb	25	168 x 220	168	
FM145-150B		38	168 x 240	178	
FM145-150C		50	168 x 268	268	
FM145-200A	200nb	25	220 x 275	196	
FM145-200B		38	220 x 300	208	
FM145-200C		50	220 x 324	220	
FM145-250A	250nb	25	273 x 324	220	
FM145-250B		38	273 x 356	236	
FM145-250C		50	273 x 375	246	
FM145-300A	300nb	25	324 x 375	268	
FM145-300B		38	324 x 406	283	
FM145-300C		50	324 x 424	292	
FM145-350A	350nb	25	355 x 406	283	
FM145-350B		38	355 x 424	292	
FM145-350C		50	355 x 457	309	
FM145-400A	400nb	25	406 x 457	309	
FM145-400B		38	406 x 483	321	
FM145-400C		50	406 x 508	334	
FM145-450A	450nb	25	455 x 508	334	
FM145-450B		38	455 x 533	347	
FM145-450C		50	455 x 557	359	

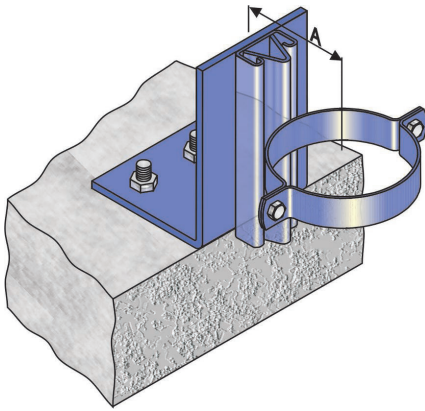
FM145 - HEAVY DUTY SLIDE GUIDE FOR STEAM AND CONDENSATE COPPER PIPE



'A' DIMENSION IS A MINIMUM,
CAN BE INCREASED TO SUIT
INDIVIDUAL ON-SITE REQUIREMENTS

PART NO.	PIPE DIA.	INS.	SIZE	A	FINISH
FM145-125D	125nb	25	127 x 178	147	POLY BROWN
FM145-125E		38	127 x 203	160	
FM145-125F		50	127 x 228	172	
FM145-150D	150nb	25	152 x 203	160	
FM145-150E		38	152 x 228	172	
FM145-150F		50	152 x 252	184	
FM145-200D	200nb	25	203 x 252	184	
FM145-200E		38	203 x 275	196	
FM145-200F		50	203 x 300	208	
FM145-250D	250nb	25	254 x 300	208	
FM145-250E		38	254 x 324	223	
FM145-250F		50	254 x 355	236	

FM190 - LIGHT DUTY FLOOR MOUNTED RISER GUIDE



FM190 RISER GUIDE FOR STEEL PIPE		
PART NO.	PIPE SIZE	A
FM190-021	15nb	54
FM190-027	20nb	57
FM190-034	25nb	60
FM190-043	32nb	65
FM190-048	40nb	67
FM190-060	50nb	73
FM190-076	65nb	81
FM190-089	80nb	88
FM190-115	100nb	101
FM190-140	125nb	155
FM190-168	150nb	129

FM190 RISER GUIDE FOR COPPER PIPE		
PART NO.	PIPE SIZE	A
FM190-015	15cu	49
FM190-020	20cu	53
FM190-025	25cu	56
FM190-032	32cu	59
FM190-038	40cu	62
FM190-051	50cu	73
FM190-064	65cu	76
FM190-076	80cu	81
FM190-102	100cu	94
FM190-127	125cu	108
FM190-152	150cu	121

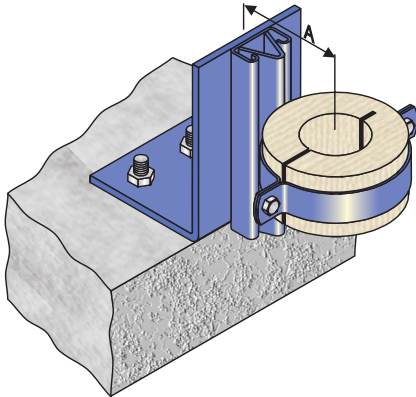
'A' DIMENSION IS A MINIMUM, CAN BE INCREASED TO SUIT INDIVIDUAL ON-SITE REQUIREMENTS

NOTE: PIPE SIZES UP TO 150NB ARE SHOWN AS ABOVE. FOR LARGER SIZES OR OTHER SPECIAL ON-SITE REQUIREMENTS, CONSULT YOUR NEAREST FLEXISTRUT BRANCH.

FINISH: HDG

FINISH: POLY BROWN

FM189 - LIGHT DUTY FLOOR MOUNTED RISER GUIDE AND TIMBER FERRULE FOR STEEL PIPE



FINISH: HDG

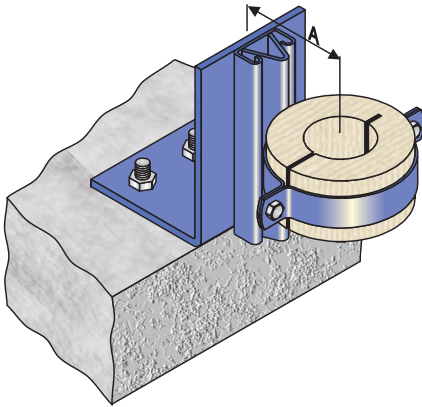
'A' DIMENSION IS A MINIMUM, CAN BE INCREASED TO SUIT INDIVIDUAL ON-SITE REQUIREMENTS

NOTE: PIPE SIZES UP TO 100NB ARE SHOWN AS ABOVE. FOR LARGER SIZES OR OTHER SPECIAL ON-SITE REQUIREMENTS, CONSULT YOUR NEAREST FLEXISTRUT BRANCH.

PART NO.	PIPE DIA.	INS.	FERRULE DIA	A
FM189-015A	15nb	25	21 x 76	80
FM189-015B		38	21 x 102	94
FM189-015C		50	21 x 127	109
FM189-015G		63	21 x 152	121
FM189-015H		75	21 x 178	134
FM189-020A	20nb	25	27 x 76	80
FM189-020B		38	27 x 102	94
FM189-020C		50	27 x 127	109
FM189-020G		63	27 x 152	121
FM189-020H		75	27 x 178	134
FM189-025A	25nb	25	34 x 83	85
FM189-025B		38	34 x 115	101
FM189-025C		50	34 x 140	115
FM189-025G		63	34 x 165	128
FM189-025H		75	34 x 190	140
FM189-032A	32nb	25	43 x 89	88
FM189-032B		38	43 x 115	101
FM189-032C		50	43 x 140	115
FM189-032G		63	43 x 165	129
FM189-032H		75	43 x 190	140
FM189-040A	40nb	25	48 x 102	94
FM189-040B		38	48 x 127	109
FM189-040C		50	48 x 152	121
FM189-040G		63	48 x 178	134
FM189-040H		75	48 x 203	147

PART NO.	PIPE DIA.	INS.	FERRULE DIA	A
FM189-050A	50nb	25	60 x 115	101
FM189-050B		38	60 x 140	115
FM189-050C		50	60 x 165	128
FM189-050G		63	60 x 190	140
FM189-050H		75	60 x 203	147
FM189-065A	65nb	25	73 x 127	109
FM189-065B		38	73 x 152	121
FM189-065C		50	73 x 178	134
FM189-065G		63	73 x 203	147
FM189-065H		75	73 x 228	159
FM189-080A	80nb	25	89 x 140	115
FM189-080B		38	89 x 165	128
FM189-080C		50	89 x 190	140
FM189-080G		63	89 x 220	155
FM189-080H		75	89 x 240	165
FM189-100A	100nb	25	115 x 165	128
FM189-100B		38	115 x 190	140
FM189-100C		50	115 x 220	155
FM189-100G		63	115 x 240	165
FM189-100H		75	115 x 268	179

FM189 - LIGHT DUTY FLOOR MOUNTED RISER GUIDE AND TIMBER FERRULE FOR COPPER PIPE



FINISH: HDG

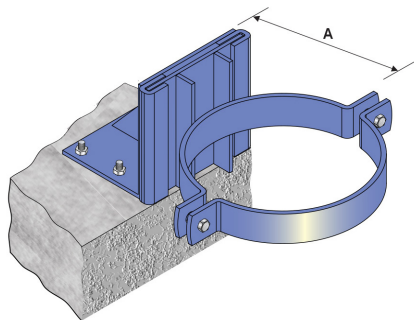
'A' DIMENSION IS A MINIMUM, CAN BE INCREASED TO SUIT INDIVIDUAL ON-SITE REQUIREMENTS

NOTE: PIPE SIZES UP TO 100NB ARE SHOWN AS ABOVE. FOR LARGER SIZES OR OTHER SPECIAL ON-SITE REQUIREMENTS, CONSULT YOUR NEAREST FLEXISTRUT BRANCH.

PART NO.	PIPE DIA.	INS.	FERRULE DIA	A
FM189-015D	15cu	25	13 x 65	76
FM189-015E		38	13 x 89	88
FM189-015F		50	13 x 115	101
FM189-015J		63	13 x 140	115
FM189-015K		75	13 x 165	128
FM189-020D	20cu	25	19 x 70	78
FM189-020E		38	19 x 102	94
FM189-020F		50	19 x 127	109
FM189-020J		63	19 x 152	121
FM189-020K		75	19 x 165	129
FM189-025D	25cu	25	25 x 76	80
FM189-025E		38	25 x 102	94
FM189-025F		50	25 x 127	109
FM189-025J		63	25 x 152	121
FM189-025K		75	25 x 178	129
FM189-032D	32cu	25	32 x 83	85
FM189-032E		38	32 x 115	101
FM189-032F		50	32 x 140	115
FM189-032J		63	32 x 165	121
FM189-032K		75	32 x 178	134
FM189-040D	40cu	25	38 x 89	88
FM189-040E		38	38 x 115	101
FM189-040F		50	38 x 140	115

PART NO.	PIPE DIA.	INS.	FERRULE DIA	A
FM189-040J	40cu	63	38 x 165	128
FM189-040K		75	38 x 190	140
FM189-050D	50cu	25	51 x 102	94
FM189-050E		38	51 x 127	109
FM189-050F		50	51 x 152	121
FM189-050J		63	51 x 178	134
FM189-050K		75	51 x 203	147
FM189-065D	65cu	25	65 x 115	101
FM189-065E		38	65 x 140	115
FM189-065F		50	65 x 165	128
FM189-065J		63	65 x 190	140
FM189-065K		75	65 x 220	155
FM189-080D	80cu	25	76 x 127	109
FM189-080E		38	76 x 152	121
FM189-080F		50	76 x 178	134
FM189-080J		63	76 x 203	147
FM189-080K		75	76 x 228	159
FM189-100D	100cu	25	102 x 152	121
FM189-100E		38	102 x 178	134
FM189-100F		50	102 x 203	147
FM189-100J		63	102 x 228	159
FM189-100K		75	102 x 252	171

FM190HD - HEAVY DUTY FLOOR MOUNTED RISER GUIDE



'A' DIMENSION IS A MINIMUM, CAN BE INCREASED TO SUIT INDIVIDUAL ON-SITE REQUIREMENTS

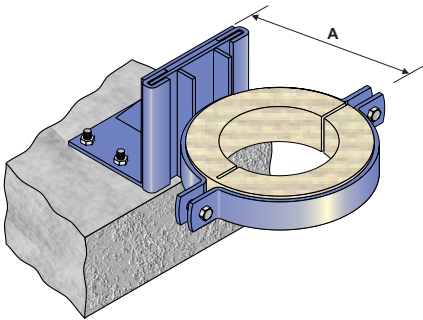
FM190 RISER GUIDE FOR STEEL PIPE		
PART NO.	PIPE SIZE	A
FM190HD-115	100nb	115
FM190HD-140	125nb	126
FM190HD-168	150nb	142
FM190HD-220	200nb	168
FM190HD-273	250nb	195
FM190HD-324	300nb	242
FM190HD-355	350nb	258
FM190HD-406	400nb	283
FM190HD-508	508nb	333
FM190HD-610	600nb	386

FINISH: HDG

FM190 RISER GUIDE FOR COPPER PIPE		
PART NO.	PIPE SIZE	A
FM190HD-102	100cu	109
FM190HD-127	125cu	121
FM190HD-152	150cu	134
FM190HD-203	200cu	160
FM190HD-254	250cu	185
FM190HD-304	300cu	210

FINISH: POLY BROWN

FM189-142 - HEAVY DUTY FLOOR MOUNTED RISER GUIDE AND TIMBER FERRULE FOR STEEL PIPE



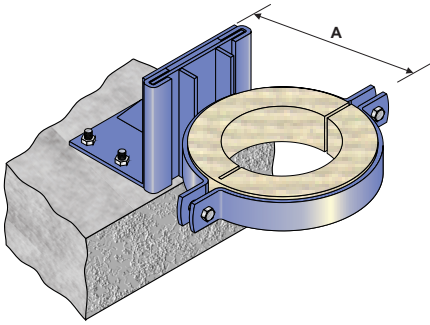
FINISH: HDG

'A' DIMENSION IS A MINIMUM, CAN BE INCREASED TO SUIT INDIVIDUAL ON-SITE REQUIREMENTS

PART NO.	PIPE DIA.	INS.	FERRULE DIA.	A
FM189-142-015A	15nb	25	21 x 76	96
FM189-142-015B		38	21 x 102	109
FM189-142-015C		50	21 x 127	121
FM189-142-015G		63	21 x 152	134
FM189-142-015H		75	21 x 178	146
FM189-142-020A	20nb	25	27 x 76	96
FM189-142-020B		38	27 x 102	109
FM189-142-020C		50	27 x 127	121
FM189-142-020G		63	27 x 152	134
FM189-142-020H		75	27 x 178	147
FM189-142-020A	25nb	25	34 x 83	99
FM189-142-025B		38	34 x 115	115
FM189-142-025C		50	34 x 140	128
FM189-142-025G		63	34 x 165	141
FM189-142-025H		75	34 x 190	153
FM189-142-032A	32nb	25	43 x 89	102
FM189-142-032B		38	43 x 115	115
FM189-142-032C		50	43 x 140	128
FM189-142-032G		63	43 x 168	142
FM189-142-032H		75	43 x 190	153
FM189-142-040A	40nb	25	48 x 102	109
FM189-142-040B		38	48 x 127	121
FM189-142-040C		50	48 x 152	134
FM189-142-040G		63	48 x 178	146
FM189-142-040H		75	48 x 203	160
FM189-142-050A	50nb	25	60 x 115	115
FM189-142-050B		38	60 x 140	128
FM189-142-050C		50	60 x 165	141
FM189-142-050G		63	60 x 190	153
FM189-142-050H		75	60 x 203	160
FM189-142-065A	65nb	25	73 x 127	121
FM189-142-065B		38	73 x 152	134
FM189-142-065C		50	73 x 178	147
FM189-142-065G		63	73 x 203	160
FM189-142-065H		75	73 x 228	172
FM189-142-080A	80nb	25	89 x 140	128
FM189-142-080B		38	89 x 165	141
FM189-142-080C		50	89 x 190	153
FM189-142-080G		63	89 x 220	168
FM189-142-080H		75	89 x 240	178
FM189-142-100A	100nb	25	115 x 165	141
FM189-142-100B		38	115 x 190	153
FM189-142-100C		50	115 x 220	168
FM189-142-100G		63	115 x 240	178
FM189-142-100H		75	115 x 268	192

PART NO.	PIPE DIA.	INS.	FERRULE DIA.	A
FM189-142-125A	125nb	25	140 x 190	153
FM189-142-125B		38	140 x 220	168
FM189-142-125C		50	140 x 240	178
FM189-142-125G		63	140 x 275	192
FM189-142-125H		75	140 x 300	208
FM189-142-150A	150nb	25	168 x 220	168
FM189-142-150B		38	168 x 240	178
FM189-142-150C		50	168 x 275	192
FM189-142-150G		63	168 x 300	208
FM189-142-150H		75	168 x 324	220
FM189-142-200A	200nb	25	220 x 275	196
FM189-142-200B		38	220 x 300	208
FM189-142-200C		50	220 x 324	220
FM189-142-200G		63	220 x 355	236
FM189-142-200H		75	220 x 375	246
FM189-142-250A	250nb	25	273 x 324	220
FM189-142-250B		38	273 x 356	236
FM189-142-250C		50	273 x 375	246
FM189-142-250G		63	273 x 406	283
FM189-142-250H		75	273 x 424	292
FM189-142-300A	300nb	25	324 x 375	246
FM189-142-300B		38	324 x 406	283
FM189-142-300C		50	324 x 424	292
FM189-142-300G		63	324 x 456	309
FM189-142-300H		75	324 x 475	318
FM189-142-350A	350nb	25	355 x 406	283
FM189-142-350B		38	355 x 424	292
FM189-142-350C		50	355 x 457	309
FM189-142-350G		63	355 x 486	321
FM189-142-350H		75	355 x 506	334
FM189-142-400A	400nb	25	406 x 457	309
FM189-142-400B		38	406 x 486	321
FM189-142-400C		50	406 x 508	334
FM189-142-400G		63	406 x 536	347
FM189-142-400H		75	406 x 556	359
FM189-142-450A	450nb	25	457 x 508	334
FM189-142-450B		38	457 x 536	347
FM189-142-450C		50	457 x 557	359
FM189-142-450G		63	457 x 584	372
FM189-142-450H		75	457 x 610	386
FM189-142-500A	500nb	25	508 x 557	359
FM189-142-500B		38	508 x 584	372
FM189-142-500C		50	508 x 610	386
FM189-142-500G		63	508 x 638	400
FM189-142-500H		75	508 x 658	410

FM189-142 - HEAVY DUTY FLOOR MOUNTED RISER GUIDE AND TIMBER FERRULE FOR COPPER PIPE



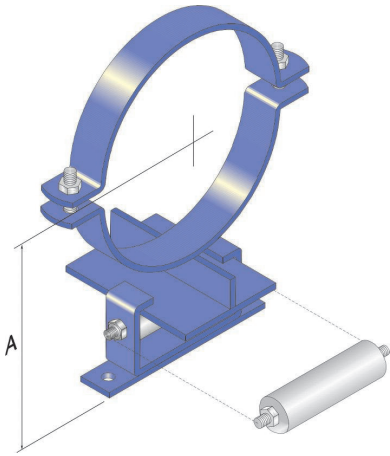
FINISH: HDG

'A' DIMENSION IS A MINIMUM, CAN BE INCREASED TO SUIT INDIVIDUAL ON-SITE REQUIREMENTS

PART NO.	PIPE DIA.	INS.	FERRULE DIA.	A
FM189-142-015D	15cu	25	13 x 65	90
FM189-142-015E		38	13 x 89	102
FM189-142-015F		50	13 x 115	115
FM189-142-015J		63	13 x 140	128
FM189-142-015K		75	13 x 165	141
FM189-142-020D	20cu	25	19 x 70	93
FM189-142-020E		38	19 x 102	109
FM189-142-020F		50	19 x 127	121
FM189-142-020J		63	19 x 152	134
FM189-142-020K		75	19 x 168	142
FM189-142-025D	25cu	25	25 x 76	96
FM189-142-025E		38	25 x 102	109
FM189-142-025F		50	25 x 127	121
FM189-142-025J		63	25 x 152	134
FM189-142-025K		75	25 x 178	147
FM189-142-032D	32cu	25	32 x 83	99
FM189-142-032E		38	32 x 115	115
FM189-142-032F		50	32 x 140	128
FM189-142-032J		63	32 x 165	141
FM189-142-032K		75	32 x 178	147
FM189-142-040D	40cu	25	38 x 89	102
FM189-142-040E		38	38 x 115	115
FM189-142-040F		50	38 x 140	128
FM189-142-040J		63	38 x 165	141
FM189-142-040K		75	38 x 190	153
FM189-142-050D	50cu	25	51 x 102	109
FM189-142-050E		38	51 x 127	121
FM189-142-050F		50	51 x 152	134
FM189-142-050J		63	51 x 178	147
FM189-142-050K		75	51 x 203	160

PART NO.	PIPE DIA.	INS.	FERRULE DIA.	A
FM189-142-065D	65cu	25	65 x 115	115
FM189-142-065E		38	65 x 140	128
FM189-142-065F		50	65 x 165	141
FM189-142-065J		63	65 x 190	153
FM189-142-065K		75	65 x 220	168
FM189-142-080D	80cu	25	76 x 127	121
FM189-142-080E		38	76 x 152	134
FM189-142-080F		50	76 x 178	147
FM189-142-080J		63	76 x 203	160
FM189-142-080K		75	76 x 228	172
FM189-142-100D	100cu	25	102 x 152	134
FM189-142-100E		38	102 x 178	147
FM189-142-100F		50	102 x 203	160
FM189-142-100J		63	102 x 228	172
FM189-142-100K		75	102 x 252	184
FM189-142-125D	125cu	25	127 x 178	147
FM189-142-125E		38	127 x 203	160
FM189-142-125F		50	127 x 228	172
FM189-142-125J		63	127 x 252	184
FM189-142-125K		75	127 x 275	196
FM189-142-150D	150cu	25	152 x 203	160
FM189-142-150E		38	152 x 228	172
FM189-142-150F		50	152 x 252	184
FM189-142-150J		63	152 x 275	196
FM189-142-150K		75	152 x 300	208
FM189-142-200D	200cu	25	203 x 252	184
FM189-142-200E		38	203 x 275	196
FM189-142-200F		50	203 x 300	208
FM189-142-200J		63	203 x 324	220
FM189-142-200K		75	203 x 355	236

FM146 - LIGHT DUTY ROLLER GUIDE



'A' DIMENSION IS A MINIMUM,
CAN BE INCREASED TO SUIT
INDIVIDUAL ON-SITE REQUIREMENTS

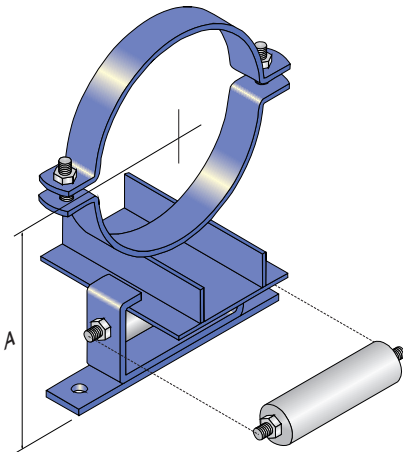
FM146 LIGHT DUTY ROLLER GUIDE FOR STEEL PIPE		
PART NO.	PIPE SIZE	'A'
FM146-021	15nb	89
FM146-027	20nb	92
FM146-034	25nb	95
FM146-043	32nb	100
FM146-048	40nb	102
FM146-060	50nb	108
FM146-076	65nb	116
FM146-089	80nb	122
FM146-115	100nb	137
FM146-140	125nb	150
FM146-168	150nb	164

FINISH: HDG

FM146 LIGHT DUTY ROLLER GUIDE FOR COPPER PIPE		
PART NO.	PIPE SIZE	'A'
FM146-015	15cu	84
FM146-020	20cu	88
FM146-025	25cu	91
FM146-032	32cu	94
FM146-038	40cu	97
FM146-051	50cu	104
FM146-064	65cu	110
FM146-076	80cu	116
FM146-102	100cu	129
FM146-127	125cu	144
FM146-152	150cu	156

FINISH: POLY BROWN

FM148 - HEAVY DUTY ROLLER GUIDE



'A' DIMENSION IS A MINIMUM,
CAN BE INCREASED TO SUIT
INDIVIDUAL ON-SITE REQUIREMENTS

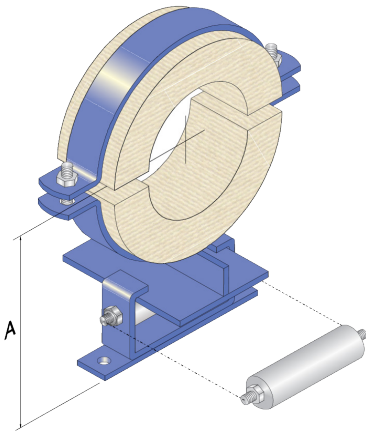
FM148 HEAVY DUTY ROLLER GUIDE FOR STEEL PIPE		
PART NO.	PIPE SIZE	A
FM148-168	150nb	185
FM148-220	200nb	211
FM148-273	250nb	238
FM148-324	300nb	267
FM148-355	350nb	283
FM148-406	400nb	308
FM148-508	500nb	360
FM148-610	600nb	412

FINISH: HDG

FM148 HEAVY DUTY ROLLER GUIDE FOR COPPER PIPE		
PART NO.	PIPE SIZE	A
FM148-152	150cu	177
FM148-203	200cu	203
FM148-254	250cu	228
FM148-304	300cu	253

FINISH: POLY BROWN

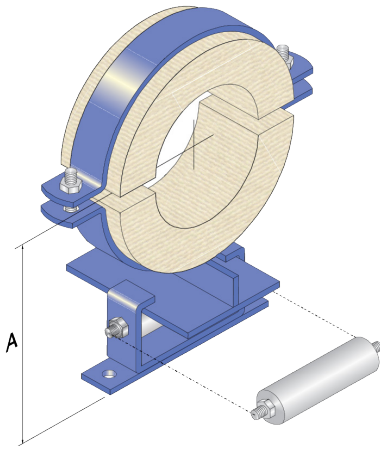
FM147- LIGHT DUTY ROLLER GUIDE AND TIMBER FERRULE FOR STEEL PIPE



'A' DIMENSION IS A MINIMUM,
CAN BE INCREASED TO SUIT INDIVIDUAL
ON-SITE REQUIREMENTS

PART NO.	PIPE DIA.	INS.	FERRULE DIA	FERRULE WIDTH	'A'	FINISH
FM147-015A	15nb	25	21 x 73	40	115	HDG
FM147-015B		38	21 x 102		129	
FM147-015C		50	21 x 127		144	
FM147-015G		63	21 x 152		156	
FM147-015H		75	21 x 178		169	
FM147-020A	20nb	25	27 x 76	40	116	
FM147-020B		38	27 x 102		129	
FM147-020C		50	27 x 127		144	
FM147-020G		63	27 x 152		156	
FM147-020H		75	27 x 178		169	
FM147-025A	25nb	25	34 x 83	40	120	
FM147-025B		38	34 x 115		136	
FM147-025C		50	34 x 140		150	
FM147-025G		63	34 x 165		162	
FM147-025H		75	34 x 190		175	
FM147-032A	32nb	25	43 x 89	40	123	
FM147-032B		38	43 x 115		136	
FM147-032C		50	43 x 140		150	
FM147-032G		63	43 x 165		164	
FM147-032H		75	43 x 190		175	
FM147-040A	40nb	25	48 x 102	40	129	
FM147-040B		38	48 x 127		144	
FM147-040C		50	48 x 152		156	
FM147-040G		63	48 x 178		169	
FM147-040H		75	48 x 203		175	
FM147-050A	50nb	25	60 x 115	40	136	
FM147-050B		38	60 x 140		150	
FM147-050C		50	60 x 165		163	
FM147-050G		63	60 x 190		175	
FM147-050H		75	60 x 203		180	
FM147-065A	65nb	25	73 x 127	40	144	
FM147-065B		38	73 x 152		156	
FM147-065C		50	73 x 178		169	
FM147-065G		63	73 x 203		180	
FM147-065H		75	73 x 228		194	
FM147-080A	80nb	25	89 x 140	40	150	
FM147-080B		38	89 x 165		163	
FM147-080C		50	89 x 190		175	
FM147-080G		63	89 x 220		190	
FM147-080H		75	89 x 240		200	
FM147-100A	100nb	25	115 x 165	40	163	
FM147-100B		38	115 x 190		175	
FM147-100C		50	115 x 220		190	
FM147-100G		63	115 x 240		200	
FM147-100H		75	115 x 268		214	

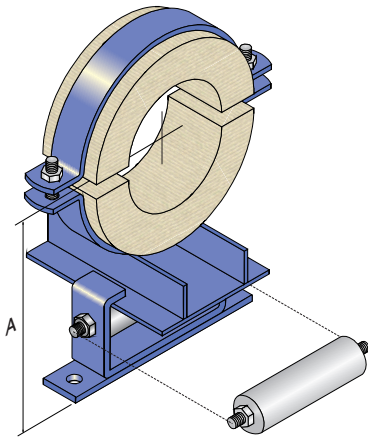
FM147 - LIGHT DUTY ROLLER GUIDE AND TIMBER FERRULE FOR COPPER PIPE



'A' DIMENSION IS A MINIMUM,
CAN BE INCREASED TO SUIT INDIVIDUAL
ON-SITE REQUIREMENTS

PART NO.	PIPE DIA.	INS.	FERRULE DIA	FERRULE WIDTH	'A'	FINISH
FM147-015D	15cu	25	13 x 65	40	110	HDG
FM147-015E		38	13 x 89		123	
FM147-015F		50	13 x 115		136	
FM147-015J		63	13 x 140		150	
FM147-015K		75	13 x 165		163	
FM147-020D	20cu	25	19 x 70	40	114	
FM147-020E		38	19 x 102		129	
FM147-020F		50	19 x 127		144	
FM147-020J		63	19 x 152		156	
FM147-020K		75	19 x 165		165	
FM147-025D	25cu	25	25 x 76	40	116	
FM147-025E		38	25 x 102		129	
FM147-025F		50	25 x 127		144	
FM147-025J		63	25 x 152		156	
FM147-025K		75	25 x 178		169	
FM147-032D	32cu	25	32 x 83	40	120	
FM147-032E		38	32 x 115		136	
FM147-032F		50	32 x 140		150	
FM147-032J		63	32 x 165		163	
FM147-032K		75	32 x 178		169	
FM147-040D	40cu	25	38 x 89	40	123	
FM147-040E		38	38 x 115		136	
FM147-040F		50	38 x 140		150	
FM147-040J		63	38 x 165		163	
FM147-040K		75	38 x 190		175	
FM147-050D	50cu	25	51 x 102	40	129	
FM147-050E		38	51 x 127		144	
FM147-050F		50	51 x 152		156	
FM147-050J		63	51 x 178		169	
FM147-050K		75	51 x 203		181	
FM147-065D	65cu	25	65 x 115	40	136	
FM147-065E		38	65 x 140		150	
FM147-065F		50	65 x 165		163	
FM147-065J		63	65 x 190		175	
FM147-065K		75	65 x 220		190	
FM147-080D	80cu	25	76 x 127	40	144	
FM147-080E		38	76 x 152		156	
FM147-080F		50	76 x 178		169	
FM147-080J		63	76 x 203		181	
FM147-080K		75	76 x 228		194	
FM147-100D	100cu	25	102 x 152	40	156	
FM147-100E		38	102 x 178		169	
FM147-100F		50	102 x 203		181	
FM147-100J		63	102 x 228		194	
FM147-100K		75	102 x 252		206	

FM149 - HEAVY DUTY ROLLER GUIDE AND TIMBER FERRULE FOR STEEL PIPE



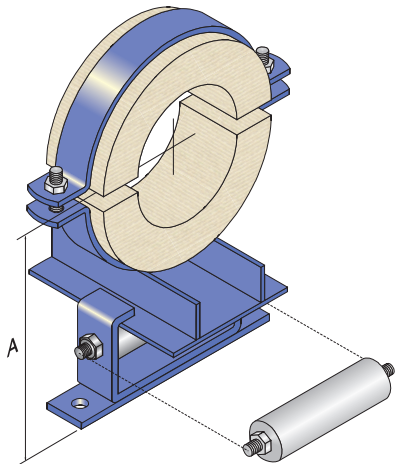
FINISH: HDG

'A' DIMENSION IS A MINIMUM,
CAN BE INCREASED TO SUIT
INDIVIDUAL ON-SITE REQUIREMENTS

FERRULE WIDTH: $\leq 200 = 40\text{mm}$, $\geq 200 = 80\text{mm}$

PART NO.	PIPE DIA.	INS.	FERRULE DIA.	'A'	PART NO.	PIPE DIA.	INS.	FERRULE DIA.	'A'
FM149-125A	125nb	25	140 x 190	195	FM149-300A	300nb	25	324 x 375	289
FM149-125B		38	140 x 220	210	FM149-300B		38	324 x 406	308
FM149-125C		50	140 x 240	220	FM149-300C		50	324 x 424	317
FM149-125G		63	140 x 268	235	FM149-300G		63	324 x 456	333
FM149-125H		75	140 x 300	251	FM149-300H		75	324 x 475	342
FM149-150A	150nb	25	168 x 220	210	FM149-350A	350nb	25	355 x 406	308
FM149-150B		38	168 x 240	220	FM149-350B		38	355 x 424	317
FM149-150C		50	168 x 268	235	FM149-350C		50	355 x 457	334
FM149-150G		63	168 x 300	251	FM149-350G		63	355 x 485	348
FM149-150H		75	168 x 324	263	FM149-350H		75	355 x 508	359
FM149-200A	200nb	25	220 x 275	238	FM149-400A	400nb	25	406 x 457	334
FM149-200B		38	220 x 300	251	FM149-400B		38	406 x 483	345
FM149-200C		50	220 x 324	263	FM149-400C		50	406 x 508	359
FM149-200G		63	220 x 355	279	FM149-400G		63	406 x 536	373
FM149-200H		75	220 x 375	289	FM149-400H		75	406 x 557	384
FM149-250A	250nb	25	273 x 324	263	FM149-450A	450nb	25	457 x 508	359
FM149-250B		38	273 x 356	279	FM149-450B		38	457 x 536	372
FM149-250C		50	273 x 375	289	FM149-450C		50	457 x 557	384
FM149-250G		63	273 x 406	304	FM149-450G		63	457 x 587	396
FM149-250H		75	273 x 424	313	FM149-450H		75	457 x 610	416
FM149-300A	300nb	25	324 x 375	289					
FM149-300B		38	324 x 406	308					
FM149-300C		50	324 x 424	317					
FM149-300G		63	324 x 456	333					
FM149-300H		75	324 x 475	342					

FM149 - HEAVY DUTY ROLLER GUIDE AND TIMBER FERRULE FOR COPPER PIPE



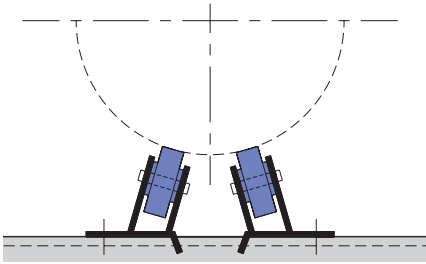
FINISH: HDG

'A' DIMENSION IS A MINIMUM,
CAN BE INCREASED TO SUIT
INDIVIDUAL ON-SITE REQUIREMENTS

FERRULE WIDTH: $\leq 200 = 40\text{mm}$, $\geq 200 = 80\text{mm}$

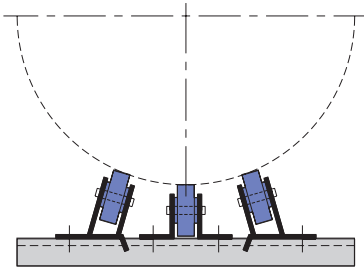
PART NO.	PIPE DIA.	INS.	FERRULE DIA	A
FM149-125D	125cu	25	127 x 178	189
FM149-125E		38	127 x 203	202
FM149-125F		50	127 x 228	214
FM149-125J		63	127 x 252	226
FM149-125K		75	127 x 275	236
FM149-150D	150cu	25	152 x 203	202
FM149-150E		38	152 x 228	214
FM149-150F		50	152 x 252	226
FM149-150J		63	152 x 275	238
FM149-150K		75	152 x 300	251
FM149-200D	200cu	25	203 x 252	226
FM149-200E		38	203 x 275	238
FM149-200F		50	203 x 300	251
FM149-200J		63	203 x 324	263
FM149-200K		75	203 x 355	279
FM149-250D	250cu	25	254 x 300	251
FM149-250E		38	254 x 324	266
FM149-250F		50	254 x 355	279
FM149-250J		63	254 x 375	289
FM149-250K		75	254 x 406	304

FM196 - PIPE ROLLERS



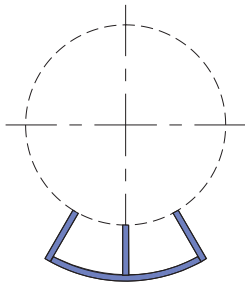
PART NO.	FINISH
FM196	HDG
ADJUSTABLE FOR PIPES 150nb TO 450nb	

FM197 - PIPE ROLLERS



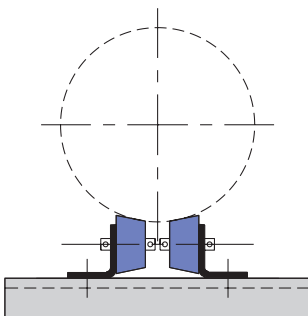
PART NO.	FINISH
FM197	HDG
ADJUSTABLE FOR PIPES 400nb TO 600nb	

FM193 - PIPE SPIDER



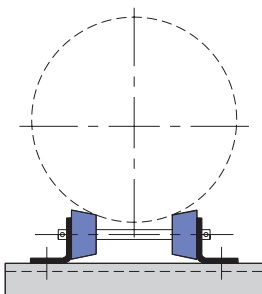
PART NO.	FINISH
FM193	PLAIN & HDG
SPECIFY I.D. x O.D. LENGTH	

FM194 - PIPE ROLLERS



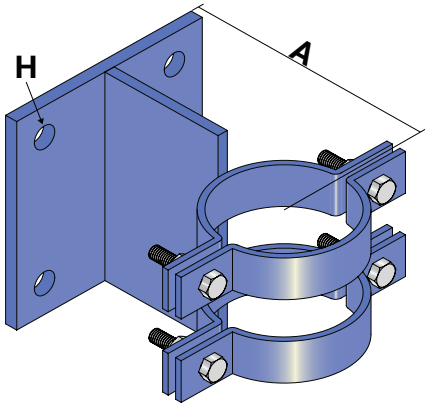
PART NO.	FINISH
FM194	HDG
ADJUSTABLE FOR PIPES 15nb TO 150nb	

FM195 - PIPE ROLLER ASSEMBLY



PART NO.	PIPE DIA.	FINISH
FM195-1	UP TO 125nb	HDG
FM195-2	125nb TO 200nb	
FM195-3	200nb TO 300nb	
FM195-4	300nb TO 400nb	

TYPE 1 WALL MOUNTED ANCHOR TO SUIT STEEL PIPE



PART NO.	PIPE SIZE	STANDARD 'A'	'H'	MAX LOAD	FINISH
FM191A-1-021	15nb	54	11Ø	50kg	PAINTED GREY OXIDE & HDG
FM191A-1-027	20nb	57	11Ø	50kg	
FM191A-1-034	25nb	60	11Ø	50kg	
FM191A-1-043	32nb	65	11Ø	50kg	
FM191A-1-048	40nb	67	11Ø	50kg	
FM191A-1-060	50nb	73	11Ø	50kg	
FM191A-1-073	65nb	81	11Ø	50kg	
FM191A-1-089	80nb	88	11Ø	50kg	
FM191A-1-115	100nb	101	11Ø	100kg	
FM191A-1-140	125nb	115	11Ø	100kg	
FM191A-1-168	150nb	129	11Ø	100kg	

MAX 'A' DIMENSION = 200

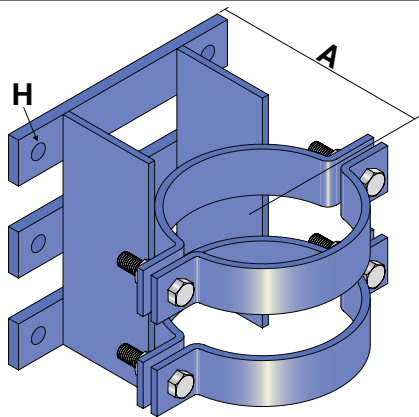
INSTALLATION NOTES

1. CONCRETE STRENGTH 25MPa MIN.
2. CONCRETE WALL THICKNESS 200mm MIN.
3. TYPE 1 PIPE CLAMP BOLTS TO BE: CLASS 4.6 M6/10 ZINC BOLTS TORQUED TO 3.5Nm FOR M6 BOLTS, 17NM FOR M10 BOLTS.
4. CONCRETE ANCHORS TO BE INSTALLED TO MANUFACTURERS RECOMMENDATIONS.
5. MINIMUM CONCRETE EDGE DISTANCE 250mm

TYPE 1 REQUIRED FIXINGS

PART NO.	hef	EMBEDMENT
4 x ICCONS M10 FM753 - CRACK NAUTILUS M10 THROUGH BOLT	60mm	67mm

TYPE 2 WALL MOUNTED ANCHOR TO SUIT STEEL PIPE



PART NO.	PIPE SIZE	'A'	'H'	ARRANGEMENT	MAX LOAD	FINISH
FM191A-2-021	15nb	54	14Ø	SINGLE FIN	500	PAINTED GREY OXIDE & HDG
FM191A-2-027	20nb	57	14Ø		500	
FM191A-2-034	25nb	60	14Ø		500	
FM191A-2-043	32nb	65	14Ø	DOUBLE FIN	500	
FM191A-2-048	40nb	67	14Ø		500	
FM191A-2-060	50nb	73	14Ø		500	
FM191A-2-073	65nb	81	14Ø		500	
FM191A-2-089	80nb	88	14Ø		500	
FM191A-2-115	100nb	101	14Ø		500	
FM191A-2-140	125nb	115	14Ø		500	
FM191A-2-168	150nb	129	14Ø		500	
FM191A-2-220	200nb	168	14Ø		500	

MAX 'A' DIMENSION = 250

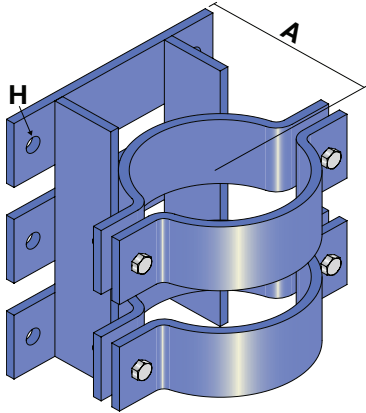
INSTALLATION NOTES

1. CONCRETE STRENGTH 25MPa MIN.
2. CONCRETE WALL THICKNESS 200mm MIN.
3. TYPE 2 PIPE CLAMP BOLTS TO BE: CLASS 8.8 M12 ZINC BOLTS TORQUED TO 50Nm
4. CONCRETE ANCHORS TO BE INSTALLED TO MANUFACTURERS RECOMMENDATIONS.
5. MINIMUM CONCRETE EDGE DISTANCE 300mm

TYPE 2 REQUIRED FIXINGS

PART NO.	hef	EMBEDMENT
6 x ICCONS M12 FM753 - CRACK NAUTILUS M12 THROUGH BOLT	72mm	81mm

TYPE 3 WALL MOUNTED ANCHOR TO SUIT STEEL PIPE



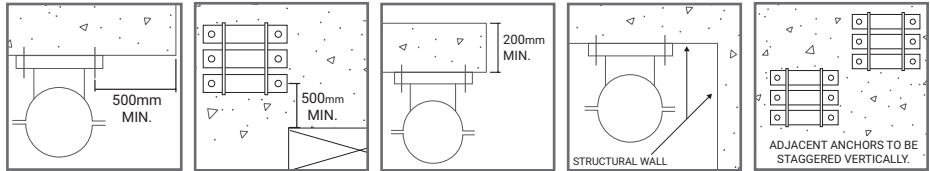
PART NO.	PIPE SIZE	'A'	'H'	MAX LOAD	FINISH
FM191A-3-073	65nb	81	18Ø	1500 kg	PAINTED GREY OXIDE & HDG
FM191A-3-089	80nb	88	18Ø	1500 kg	
FM191A-3-115	100nb	101	18Ø	1500 kg	
FM191A-3-140	125nb	115	18Ø	1500 kg	
FM191A-3-168	150nb	142	18Ø	1500 kg	
FM191A-3-220	200nb	168	18Ø	1500 kg	
FM191A-3-273	250nb	195	18Ø	1500 kg	

MAX 'A' DIMENSION = 250

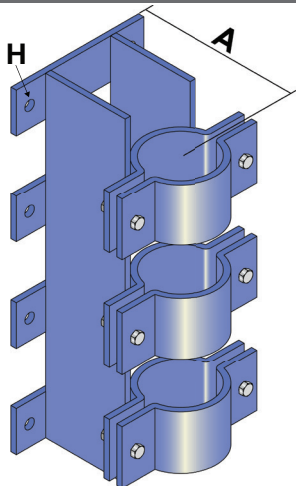
TYPE 3 REQUIRED FIXINGS		
PART NO.	hef	EMBEDMENT
6 x ICCONS M16 FM753 - CRACK NAUTILUS M16 THROUGH BOLT	86mm	97mm

INSTALLATION NOTES

1. CONCRETE STRENGTH 25MPa MIN.
2. CONCRETE WALL THICKNESS 200mm MIN.
3. TYPE 3 PIPE CLAMP BOLTS TO BE: CLASS 8.8 M20 ZINC BOLTS TORQUED TO 143Nm.
4. TYPE 3 PIPE CLAMPS MUST BE WELDED TO PIPE AFTER INITIAL PLACEMENT. 4mm FW 4x40mm RUNS TO EACH CLAMP MIN. WELD STRENGTH 490MPa.
4. CONCRETE ANCHORS TO BE INSTALLED TO MANUFACTURERS RECOMMENDATIONS.
5. MINIMUM CONCRETE EDGE DISTANCE 500mm



TYPE 4 WALL MOUNTED ANCHOR TO SUIT STEEL PIPE



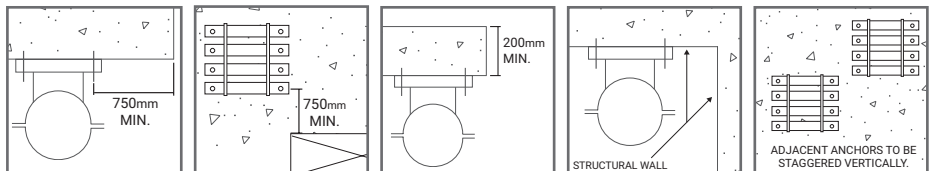
PART NO.	PIPE SIZE	'A'	H	MAX LOAD	FINISH
FM191A-4-073	65nb	81	18Ø	3000kg	PAINTED GREY OXIDE & HDG
FM191A-4-089	80nb	88	18Ø	3000kg	
FM191A-4-115	100nb	101	18Ø	3000kg	
FM191A-4-140	125nb	121	18Ø	3000kg	
FM191A-4-168	150nb	142	18Ø	3000kg	
FM191A-4-220	200nb	168	18Ø	3000kg	
FM191A-4-273	250nb	195	18Ø	3000kg	

MAX 'A' DIMENSION = 250

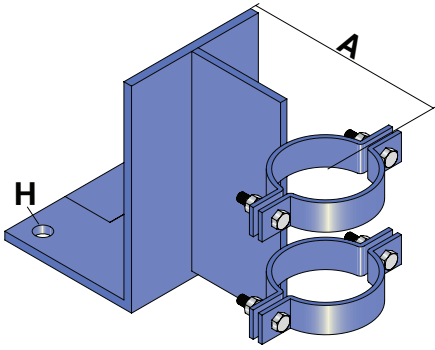
TYPE 4 REQUIRED FIXINGS		
PART NO.	hef	EMBEDMENT
8 x ICCONS M16 FM753 - CRACK NAUTILUS M16 THROUGH BOLT	86mm	97mm

INSTALLATION NOTES

1. CONCRETE STRENGTH 25MPa MIN.
2. CONCRETE WALL THICKNESS 200mm MIN.
3. TYPE 4 PIPE CLAMP BOLTS TO BE: CLASS 8.8 M20 ZINC BOLTS TORQUED TO 120Nm.
4. TYPE 4 PIPE CLAMPS MUST BE WELDED TO PIPE AFTER INITIAL PLACEMENT. 4mm FW 4x40mm RUNS TO EACH CLAMP MIN. WELD TENSILE STRENGTH 490MPa.
4. CONCRETE ANCHORS TO BE INSTALLED TO MANUFACTURERS RECOMMENDATIONS.
5. MINIMUM CONCRETE EDGE DISTANCE 750mm



TYPE 1 FLOOR MOUNTED ANCHOR TO SUIT STEEL PIPE



INSTALLATION NOTES

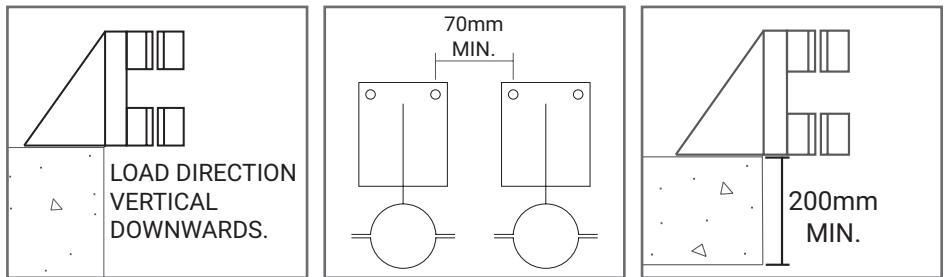
1. CONCRETE STRENGTH 25MPa MIN.
2. CONCRETE SLAB THICKNESS 200mm MIN.
3. **TYPE 1** PIPE CLAMP BOLTS TO BE: CLASS 4.6 M6/10 ZINC BOLTS TORQUED TO 3.5NM FOR M6 BOLTS, 17Nm FOR M10 BOLTS.
4. CONCRETE ANCHORS TO BE INSTALLED TO MANUFACTURERS RECOMMENDATIONS.
5. **TYPE 1** MINIMUM CONCRETE ANCHOR EDGE DISTANCE 85mm.
6. **TYPE 1** MINIMUM ANCHOR SPACING 70mm.
7. LOAD DIRECTION IS VERTICAL DOWNWARD.
8. ANCHOR BRACKET TO BE MOUNTED TO TOP OF FLOOR SLAB.
9. ANCHOR MOUNTING PLATE TO BEAR COMPLETELY ON FLOOR SLAB (NO OVER HANG)

PART NO.	PIPE SIZE	STANDARD 'A'	'H'	MAX LOAD	FINISH
FM191-1-021	15nb	54	11Ø	50kg	PAINTED GREY OXIDE & HDG
FM191-1-027	20nb	57	11Ø	50kg	
FM191-1-034	25nb	60	11Ø	50kg	
FM191-1-043	32nb	65	11Ø	50kg	
FM191-1-048	40nb	67	11Ø	50kg	
FM191-1-060	50nb	73	11Ø	50kg	
FM191-1-073	65nb	81	11Ø	50kg	
FM191-1-089	80nb	88	11Ø	50kg	
FM191-1-115	100nb	101	11Ø	100kg	
FM191-1-140	125nb	115	11Ø	100kg	
FM191-1-168	150nb	129	11Ø	100kg	

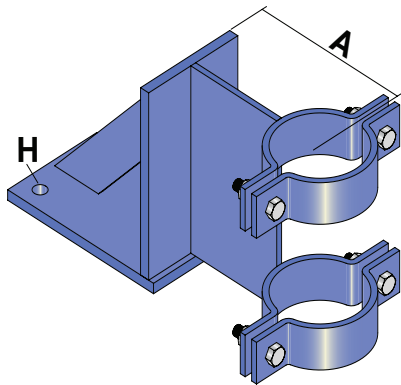
MAX 'A' DIMENSION = 200mm

TYPE 1 REQUIRED FIXINGS

PART NO.	hef	EMBEDMENT
2 x ICCONS M10 FM753 - CRACK NAUTILUS M10 THROUGH BOLT	60mm	67mm



TYPE 2 FLOOR MOUNTED ANCHOR TO SUIT STEEL PIPE



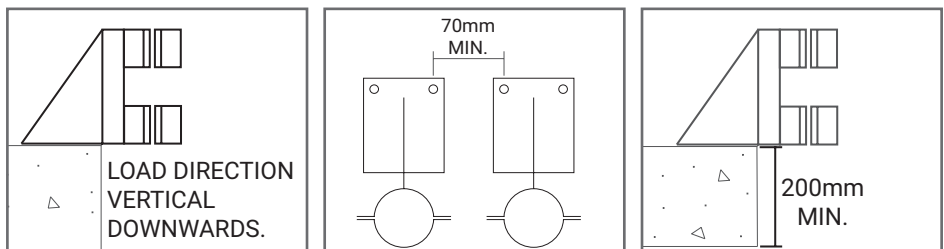
INSTALLATION NOTES

1. CONCRETE STRENGTH 25MPa MIN.
2. CONCRETE SLAB THICKNESS 200mm MIN.
3. **TYPE 2** PIPE CLAMP BOLTS TO BE: CLASS 8.8 M12 ZINC BOLTS TORQUED TO 50Nm.
4. CONCRETE ANCHORS TO BE INSTALLED TO MANUFACTURERS RECOMMENDATIONS.
5. **TYPE 2** MINIMUM CONCRETE ANCHOR EDGE DISTANCE 160mm.
6. **TYPE 2** MINIMUM ANCHOR SPACING 70mm
7. LOAD DIRECTION IS VERTICAL DOWNWARD.
8. ANCHOR BRACKET TO BE MOUNTED TO TOP OF FLOOR SLAB.
9. ANCHOR MOUNTING PLATE TO BEAR COMPLETELY ON FLOOR SLAB (NO OVER HANG)

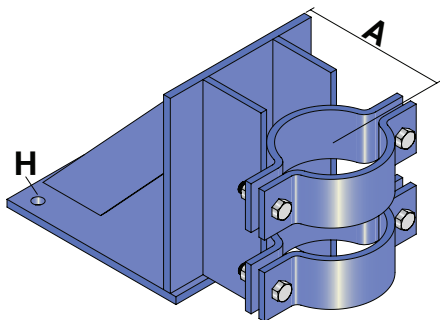
PART NO.	PIPE SIZE	STANDARD 'A'	'H'	FINISH
FM191-2-021	15nb	54	14Ø	PAINTED GREY OXIDE & HDG
FM191-2-027	20nb	57	14Ø	
FM191-2-034	25nb	60	14Ø	
FM191-2-043	32nb	65	14Ø	
FM191-2-048	40nb	67	14Ø	
FM191-2-060	50nb	73	14Ø	
FM191-2-073	65nb	81	14Ø	
FM191-2-089	80nb	88	14Ø	
FM191-2-115	100nb	101	14Ø	
FM191-2-140	125nb	115	14Ø	
FM191-2-168	150nb	129	14Ø	
FM191-2-220	200nb	168	14Ø	

MAXIMUM WORKING LOAD & 'A' DIMENSION

FIXINGS	'A' DIMENSION	hef	EMBEDMENT	WORKING LOAD
2 x ICCON M12 FM753 - CRACK NAUTILUS M12 THROUGH BOLT	200	72	81	500kg
2 x M12 THREADED ROD WITH ICCON BIS-HY ADHESIVE	250	70	70	500kg



TYPE 3 FLOOR MOUNTED ANCHOR TO SUIT STEEL PIPE



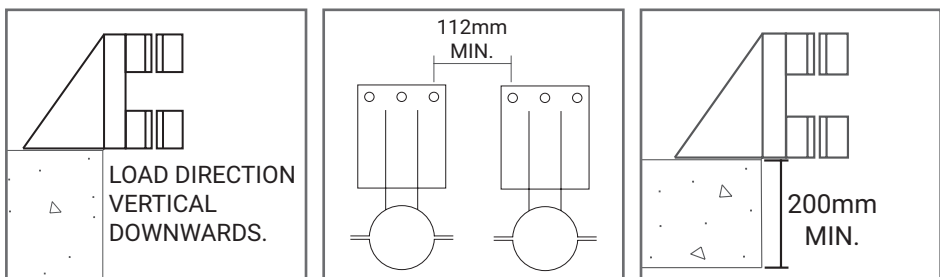
PART NO.	PIPE SIZE	STANDARD 'A'	'H'	FINISH
FM191-3-073	65nb	81	18Ø	PAINTED GREY OXIDE & HDG
FM191-3-089	80nb	88	18Ø	
FM191-3-115	100nb	101	18Ø	
FM191-3-140	125nb	125	18Ø	
FM191-3-168	150nb	142	18Ø	
FM191-3-220	200nb	168	18Ø	
FM191-3-273	250nb	195	18Ø	

INSTALLATION NOTES

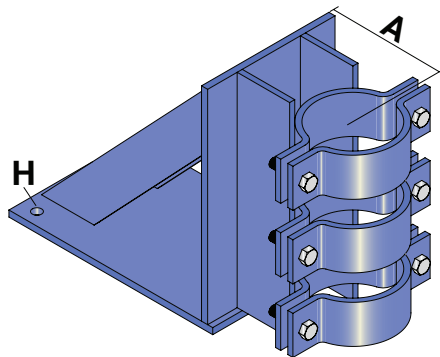
1. CONCRETE STRENGTH 25MPa MIN.
2. CONCRETE SLAB THICKNESS 200mm MIN.
3. **TYPE 3** PIPE CLAMP BOLTS TO BE: CLASS 8.8 M20 ZINC BOLTS TORQUED TO 120Nm.
4. CONCRETE ANCHORS TO BE INSTALLED TO MANUFACTURERS RECOMMENDATIONS.
5. **TYPE 3** PIPE CLAMPS MUST BE WELDED TO PIPE AFTER INITIAL PLACEMENT. 4mm FW 4X40mm RUNS TO EACH CLAMP, MIN. WELD STRENGTH 490MPa.
6. **TYPE 3** MINIMUM CONCRETE ANCHOR EDGE DISTANCE 270mm
7. **TYPE 3** MINIMUM ANCHOR SPACING 112mm.
8. LOAD DIRECTION IS VERTICAL DOWNWARD.
9. ANCHOR BRACKET TO BE MOUNTED TO TOP OF FLOOR SLAB.
10. ANCHOR MOUNTING PLATE TO BEAR COMPLETELY ON FLOOR SLAB (NO OVER HANG)

MAXIMUM WORKING LOAD & 'A' DIMENSION

FIXINGS	'A' DIMENSION	hef	EMBEDMENT	WORKING LOAD
3 x ICCON M16 FM753 - CRACK NAUTILUS M16 THROUGH BOLT	200	86	97	1200kg
3 x M12 THREADED ROD WITH ICCON BIS-HY ADHESIVE	250	90	90	1500kg



TYPE 4 FLOOR MOUNTED ANCHOR TO SUIT STEEL PIPE



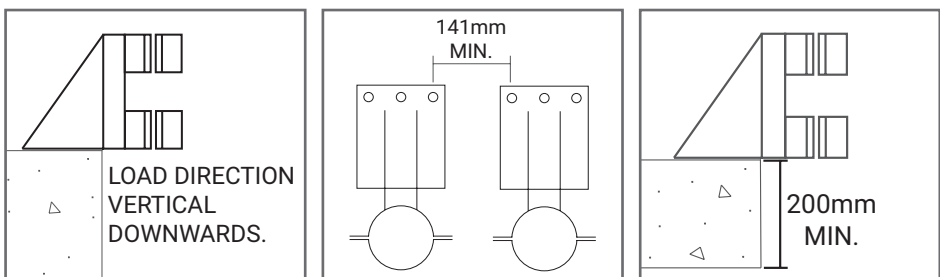
PART NO.	PIPE SIZE	'A'	'H'	FINISH
FM191-4-060	50nb	73	18Ø	PAINTED GREY OXIDE & HDG
FM191-4-073	65nb	81	18Ø	
FM191-4-089	80nb	88	18Ø	
FM191-4-115	100nb	101	18Ø	
FM191-4-140	125nb	121	18Ø	
FM191-4-168	150nb	142	18Ø	
FM191-4-220	200nb	195	18Ø	

INSTALLATION NOTES

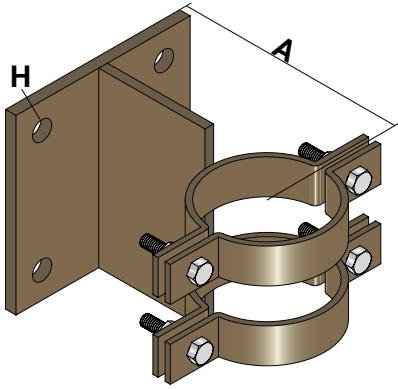
1. CONCRETE STRENGTH 25MPa MIN.
2. CONCRETE SLAB THICKNESS 200mm MIN.
3. **TYPE 4** PIPE CLAMP BOLTS TO BE: CLASS 8.8 M20 ZINC BOLTS TORQUED TO 120Nm.
4. CONCRETE ANCHORS TO BE INSTALLED TO MANUFACTURERS RECOMMENDATIONS.
5. **TYPE 4** PIPE CLAMPS MUST BE WELDED TO PIPE AFTER INITIAL PLACEMENT. 4mm FW 4X40mm RUNS TO EACH CLAMP, MIN. WELD STRENGTH 490MPa.
6. **TYPE 4** MINIMUM CONCRETE ANCHOR EDGE DISTANCE 370mm
7. **TYPE 4** MINIMUM ANCHOR SPACING 141mm
8. LOAD DIRECTION IS VERTICAL DOWNWARD.
9. ANCHOR BRACKET TO BE MOUNTED TO TOP OF FLOOR SLAB.
10. ANCHOR MOUNTING PLATE TO BEAR COMPLETELY ON FLOOR SLAB (NO OVER HANG)

MAXIMUM WORKING LOAD & 'A' DIMENSION

FIXINGS	'A' DIMENSION	hef	EMBEDMENT	WORKING LOAD
3 x ICCON M16 FM753 - CRACK NAUTILUS M16 THROUGH BOLT	180	86	97	2200kg
3 x M12 THREADED ROD WITH ICCON BIS-HY ADHESIVE	250	90	90	3000kg



TYPE 1 WALL MOUNTED ANCHOR TO SUIT COPPER PIPE



INSTALLATION NOTES

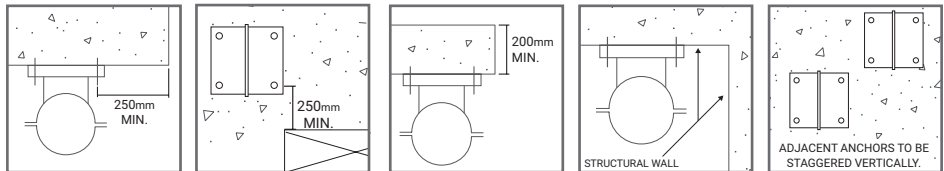
1. CONCRETE STRENGTH 25MPa MIN.
2. CONCRETE WALL THICKNESS 200mm MIN.
3. **TYPE 1** PIPE CLAMP BOLTS TO BE: CLASS 4.6 M6/10 ZINC BOLTS TORQUED TO 3.5Nm FOR M6 BOLTS & 17Nm FOR M10 BOLTS.
4. CONCRETE ANCHORS TO BE INSTALLED TO MANUFACTURERS RECOMMENDATIONS.
5. **TYPE 1** MINIMUM CONCRETE ANCHOR EDGE DISTANCE 250mm.
6. LOAD DIRECTION IS VERTICAL DOWNWARD OR UPWARDS.
7. ANCHOR BRACKET TO BE MOUNTED TO CONCRETE WALL.

PART NO.	PIPE SIZE	STANDARD 'A'	'H'	MAX LOAD	FINISH
FM191A-1-015	15cu	49	14Ø	50kg	POLY BROWN
FM191A-1-020	20cu	53	14Ø	50kg	
FM191A-1-025	25cu	56	14Ø	50kg	
FM191A-1-032	32cu	59	14Ø	50kg	
FM191A-1-038	40cu	62	14Ø	50kg	
FM191A-1-051	50cu	73	14Ø	50kg	
FM191A-1-064	65cu	76	14Ø	50kg	
FM191A-1-076	80cu	81	14Ø	50kg	
FM191A-1-102	100cu	94	14Ø	100kg	
FM191A-1-127	125cu	108	14Ø	100kg	
FM191A-1-152	150cu	121	14Ø	100kg	
FM191A-1-203	200cu	160	14Ø	100kg	

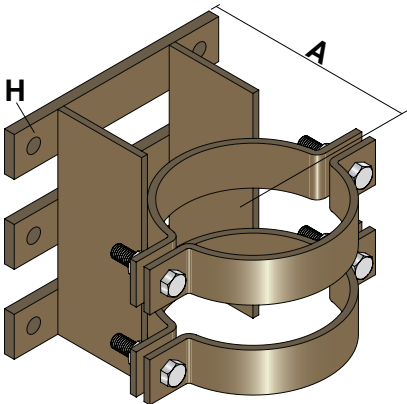
MAX 'A' DIMENSION = 200

TYPE 1 REQUIRED FIXINGS

PART NO.	hef	EMBEDMENT
4 x ICCONS M10 FM753 - CRACK NAUTILUS M10 THROUGH BOLT	60mm	67mm



TYPE 2 WALL MOUNTED ANCHOR TO SUIT COPPER PIPE



INSTALLATION NOTES

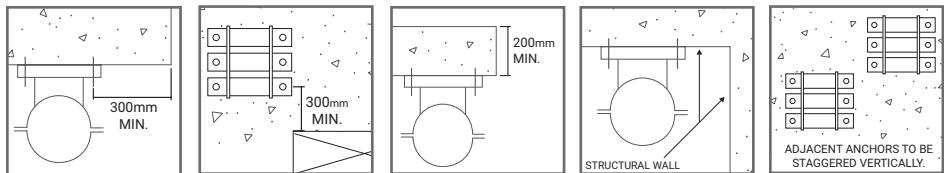
1. CONCRETE STRENGTH 25MPa MIN.
2. CONCRETE WALL THICKNESS 200mm MIN.
3. **TYPE 2** PIPE CLAMP BOLTS TO BE: CLASS 8.8 M12 ZINC BOLTS TORQUED TO 50Nm
4. CONCRETE ANCHORS TO BE INSTALLED TO MANUFACTURERS RECOMMENDATIONS.
5. **TYPE 2** MINIMUM CONCRETE ANCHOR EDGE DISTANCE 300mm.
6. LOAD DIRECTION IS VERTICAL DOWNWARD OR UPWARDS.
7. ANCHOR BRACKET TO BE MOUNTED TO CONCRETE WALL.

PART NO.	PIPE SIZE	STANDARD 'A'	'H'	ARRANGEMENT	MAX LOAD	FINISH
FM191A-2-015	15cu	49	14Ø	SINGLE FIN	500kg	POLY BROWN
FM191A-2-020	20cu	53	14Ø		500kg	
FM191A-2-025	25cu	56	14Ø		500kg	
FM191A-2-032	32cu	59	14Ø		500kg	
FM191A-2-038	40cu	62	14Ø		500kg	
FM191A-2-051	50cu	73	14Ø		500kg	
FM191A-2-064	65cu	76	14Ø	DOUBLE FIN	500kg	
FM191A-2-076	80cu	81	14Ø		500kg	
FM191A-2-102	100cu	94	14Ø		500kg	
FM191A-2-127	125cu	108	14Ø		500kg	
FM191A-2-152	150cu	121	14Ø		500kg	
FM191A-2-203	200cu	160	14Ø		500kg	

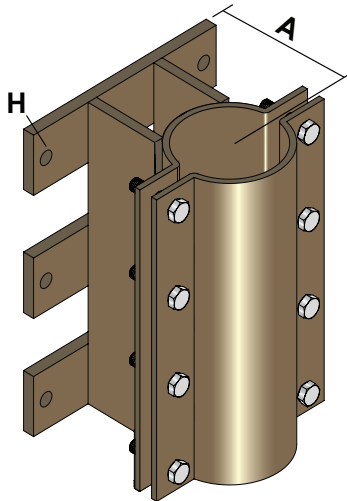
MAX 'A' DIMENSION = 250

TYPE 2 REQUIRED FIXINGS

PART NO.	hef	EMBEDMENT
6 x ICCONS M16 FM753 - CRACK NAUTILUS M16 THROUGH BOLT	86mm	97mm



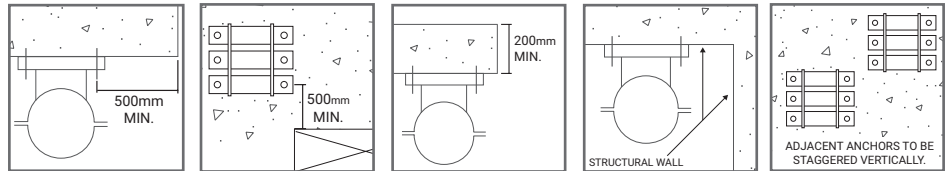
TYPE 3 WALL MOUNTED ANCHOR TO SUIT COPPER PIPE



PART NO.	PIPE SIZE	STANDARD 'A'	'H'	MAX LOAD	FINISH
FM191A-3-064	65cu	76	14Ø	1500kg	POLY BROWN
FM191A-3-076	80cu	81	14Ø	1500kg	
FM191A-3-102	100cu	94	14Ø	1500kg	
FM191A-3-127	125cu	108	14Ø	1500kg	
FM191A-3-152	150cu	134	14Ø	1500kg	
FM191A-3-203	200cu	160	14Ø	1500kg	

MAX 'A' DIMENSION = 250

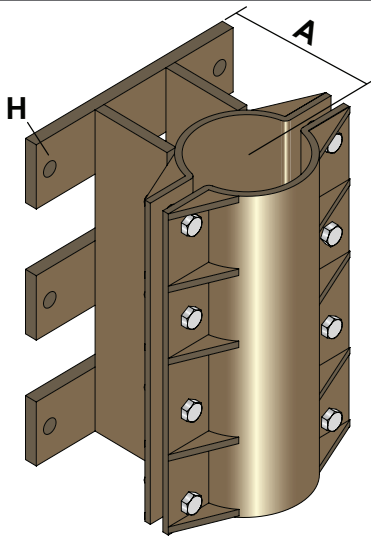
TYPE 3 REQUIRED FIXINGS		
PART NO.	hef	EMBEDMENT
6 x ICCONS M16 FM753 - CRACK NAUTILUS M16 THROUGH BOLT	86mm	97mm



INSTALLATION NOTES

1. CONCRETE STRENGTH 25MPa MIN.
2. CONCRETE WALL THICKNESS 200mm MIN.
3. **TYPE 3** PIPE CLAMP BOLTS TO BE: CLASS 8.8 M12 ZINC BOLTS TORQUED TO 50Nm.
4. CONCRETE ANCHORS TO BE INSTALLED TO MANUFACTURERS RECOMMENDATIONS.
5. **TYPE 3** MINIMUM CONCRETE ANCHOR EDGE DISTANCE 500mm.
6. LOAD DIRECTIONS IS VERTICAL DOWNWARD OR UPWARDS
7. ANCHOR BRACKET TO BE MOUNTED TO CONCRETE WALL.

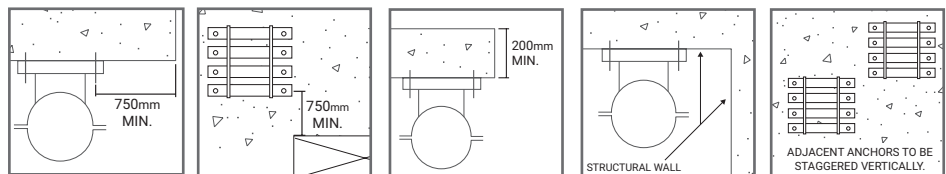
TYPE 4 WALL MOUNTED ANCHOR TO SUIT COPPER PIPE



PART NO.	PIPE SIZE	STANDARD 'A'	'H'	MAX LOAD	FINISH
FM191A-4-064	65cu	76	14Ø	3000kg	POLY BROWN
FM191A-4-076	80cu	81	14Ø	3000kg	
FM191A-4-102	100cu	94	14Ø	3000kg	
FM191A-4-127	125cu	108	14Ø	3000kg	
FM191A-4-152	150cu	134	14Ø	3000kg	
FM191A-4-203	200cu	160	14Ø	3000kg	

MAX 'A' DIMENSION = 250

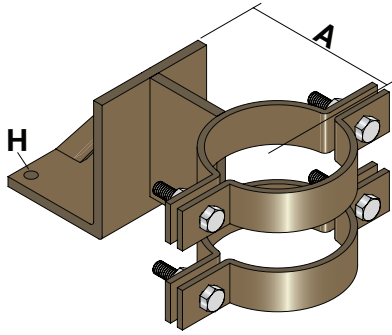
TYPE 4 REQUIRED FIXINGS		
PART NO.	hef	EMBEDMENT
6 x ICCONS M16 FM753 - CRACK NAUTILUS M16 THROUGH BOLT	86mm	97mm



INSTALLATION NOTES

1. CONCRETE STRENGTH 25MPa MIN.
2. CONCRETE WALL THICKNESS 200mm MIN.
3. **TYPE 4** PIPE CLAMP BOLTS TO BE: CLASS 8.8 M12 ZINC BOLTS TORQUED TO 50Nm
4. CONCRETE ANCHORS TO BE INSTALLED TO MANUFACTURERS RECOMMENDATIONS.
5. **TYPE 4** MINIMUM CONCRETE ANCHOR EDGE DISTANCE 750mm.
6. LOAD DIRECTION IS VERTICAL DOWNWARD OR UPWARDS.
7. ANCHOR BRACKET TO BE MOUNTED TO CONCRETE WALL.

TYPE 1 FLOOR MOUNTED ANCHOR FOR COPPER PIPE



PART NO.	PIPE SIZE	STANDARD 'A'	'H'	MAX LOAD	FINISH
FM191-1-015	15cu	49	14Ø	50kg	POLY BROWN
FM191-1-020	20cu	53	14Ø	50kg	
FM191-1-025	25cu	56	14Ø	50kg	
FM191-1-032	32cu	59	14Ø	50kg	
FM191-1-038	40cu	62	14Ø	50kg	
FM191-1-051	50cu	73	14Ø	50kg	
FM191-1-064	65cu	76	14Ø	50kg	
FM191-1-076	80cu	81	14Ø	50kg	
FM191-1-102	100cu	94	14Ø	100kg	
FM191-1-127	125cu	108	14Ø	100kg	
FM191-1-152	150cu	121	14Ø	100kg	
FM191-1-203	200cu	160	14Ø	100kg	

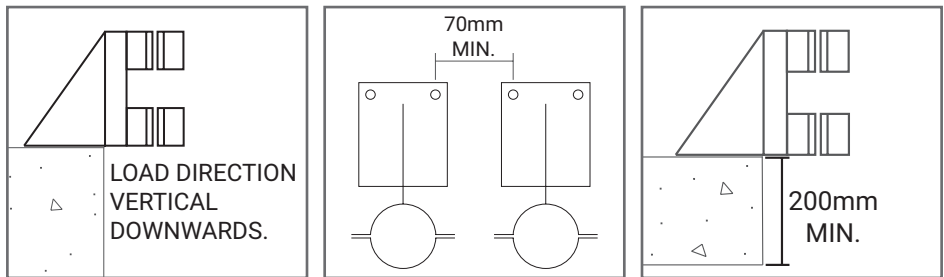
MAX 'A' DIMENSION = 200

INSTALLATION NOTES

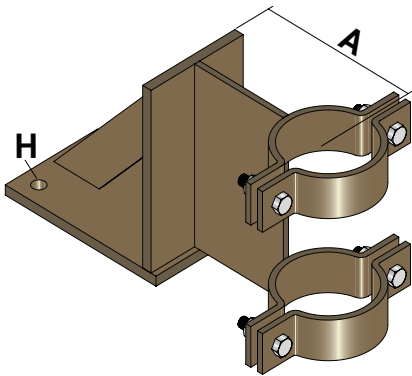
1. CONCRETE STRENGTH 25MPa MIN.
2. CONCRETE SLAB THICKNESS 200mm MIN.
3. **TYPE 1** PIPE CLAMP BOLTS TO BE: CLASS 4.6 M6/10 ZINC BOLTS TORQUED TO 3.5Nm FOR M6 BOLTS & 17Nm FOR M10 BOLTS.
4. CONCRETE ANCHORS TO BE INSTALLED TO MANUFACTURERS RECOMMENDATIONS.
5. **TYPE 1** MINIMUM CONCRETE ANCHOR EDGE DISTANCE 160mm.
6. **TYPE 1** MINIMUM SPACING IS 70mm.
7. LOAD DIRECTION IS VERTICAL DOWNWARD.
8. ANCHOR BRACKET TO BE MOUNTED TO TOP OF FLOOR SLAB.
9. ANCHOR MOUNTING PLATE TO BEAR COMPLETELY ON FLOOR SLAB (NO OVER HANG).

TYPE 1 REQUIRED FIXINGS

PART NO.	hef	EMBEDMENT
2 x ICCONS M10 FM753 - CRACK NAUTILUS M10 THROUGH BOLT	60mm	67mm



TYPE 2 FLOOR MOUNTED ANCHOR FOR COPPER PIPE



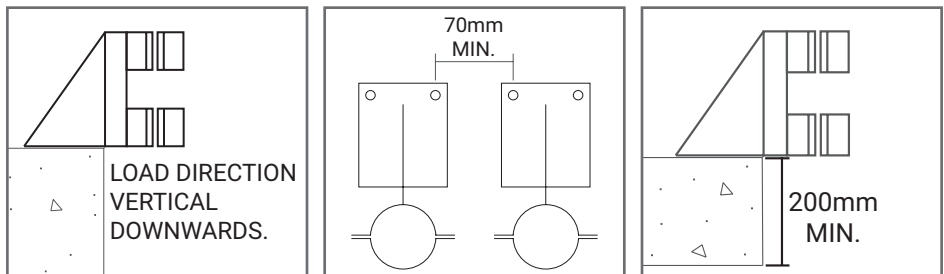
PART NO.	PIPE SIZE	STANDARD 'A'	'H'	FINISH
FM191-2-032	32cu	59	14Ø	POLY BROWN
FM191-2-038	40cu	62	14Ø	
FM191-2-051	50cu	73	14Ø	
FM191-2-064	65cu	76	14Ø	
FM191-2-076	80cu	81	14Ø	
FM191-2-102	100cu	94	14Ø	
FM191-2-127	125cu	108	14Ø	
FM191-2-152	150cu	121	14Ø	
FM191-2-203	200cu	160	14Ø	

INSTALLATION NOTES

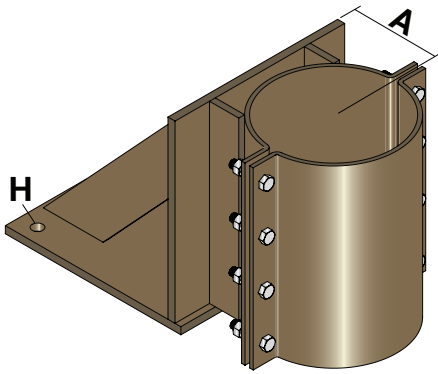
1. CONCRETE STRENGTH 25MPa MIN.
2. CONCRETE SLAB THICKNESS 200mm MIN.
3. **TYPE 2** PIPE CLAMP BOLTS TO BE: CLASS 8.8 M12 ZINC BOLTS TORQUED TO 50Nm.
4. CONCRETE ANCHORS TO BE INSTALLED TO MANUFACTURERS RECOMMENDATIONS.
5. **TYPE 2** MINIMUM CONCRETE ANCHOR EDGE DISTANCE 160mm.
6. **TYPE 2** MINIMUM ANCHOR SPACING 70mm.
7. LOAD DIRECTION IS VERTICAL DOWNWARD.
8. ANCHOR BRACKET TO BE MOUNTED TO TOP OF FLOOR SLAB.
9. ANCHOR MOUNTING PLATE TO EAR COMPLETELY ON FLOOR SLAB (NO OVER HANG).

MAXIMUM WORKING LOAD & 'A' DIMENSION

FIXINGS	'A' DIMENSION	hef	EMBEDMENT	WORKING LOAD
2 x ICCON M12 FM753 - CRACK NAUTILUS M12 THROUGH BOLT	200	72	81	500kg
2 x M12 THREADED ROD WITH ICCON BIS-HY ADHESIVE	250	70	70	500kg



TYPE 3 FLOOR MOUNTED ANCHOR TO SUIT COPPER PIPE

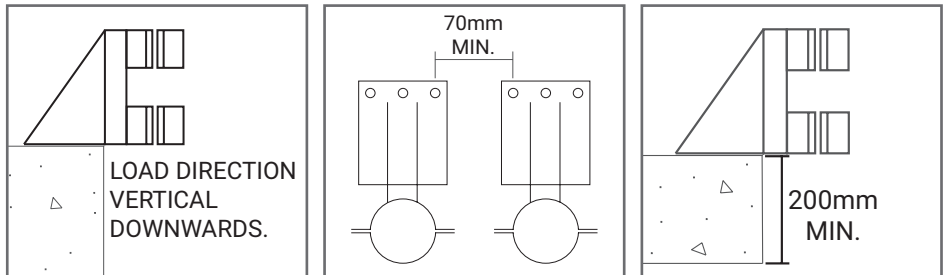


PART NO.	PIPE SIZE	STANDARD 'A'	'H'	FINISH
FM191-3-051	50cu	73	18Ø	POLY BROWN
FM191-3-064	65cu	76	18Ø	
FM191-3-076	80cu	81	18Ø	
FM191-3-102	100cu	94	18Ø	
FM191-3-127	125cu	108	18Ø	
FM191-3-152	150cu	134	18Ø	
FM191-3-203	200cu	160	18Ø	

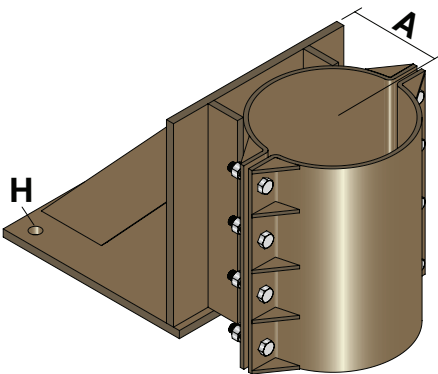
MAXIMUM WORKING LOAD & 'A' DIMENSION				
FIXINGS	'A' DIMENSION	hef	EMBEDMENT	WORKING LOAD
3 x ICCON M16 FM753 - CRACK NAUTILUS M16 THROUGH BOLT	200	86	97	1200kg
3 x M16 THREADED ROD WITH ICCON BIS-HY ADHESIVE	250	120	120	1500kg

INSTALLATION NOTES

1. CONCRETE STRENGTH 25MPa MIN.
2. CONCRETE SLAB THICKNESS 200mm MIN.
3. **TYPE 3** PIPE CLAMP BOLTS TO BE: CLASS 8.8 M12 ZINC BOLTS TORQUED TO 50Nm.
4. CONCRETE ANCHORS TO BE INSTALLED TO MANUFACTURERS RECOMMENDATIONS.
5. **TYPE 3** MINIMUM CONCRETE ANCHOR EDGE DISTANCE 160mm.
6. **TYPE 3** MINIMUM ANCHOR SPACING 70mm.
7. LOAD DIRECTION IS VERTICAL DOWNWARD.
8. ANCHOR BRACKET TO BE MOUNTED TO TOP OF FLOOR SLAB.
9. ANCHOR MOUNTING PLATE TO BEAR COMPLETELY ON FLOOR SLAB (NO OVER HANG).



TYPE 4 FLOOR MOUNTED ANCHOR TO SUIT COPPER PIPE

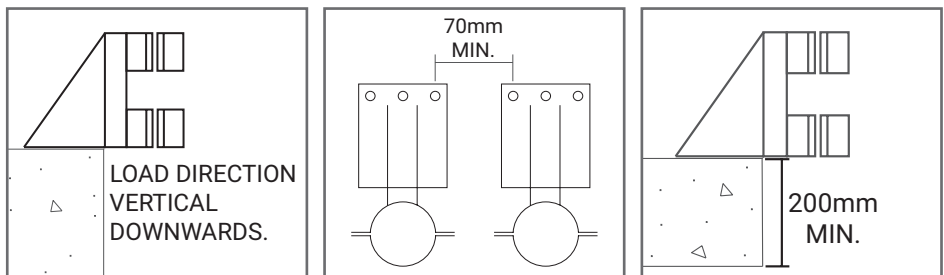


PART NO.	PIPE SIZE	STANDARD 'A'	'H'	FINISH
FM191-4-064	65cu	76	18Ø	POLY BROWN
FM191-4-076	80cu	81	18Ø	
FM191-4-102	100cu	94	18Ø	
FM191-4-127	125cu	108	18Ø	
FM191-4-152	150cu	134	18Ø	
FM191-4-203	203cu	160	18Ø	

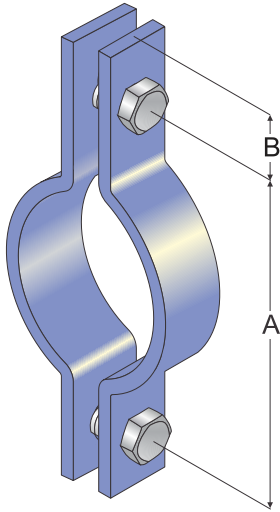
MAXIMUM WORKING LOAD & 'A' DIMENSION				
FIXINGS	'A' DIMENSION	hef	EMBEDMENT	WORKING LOAD
3 x ICCON M16 FM753 - CRACK NAUTILUS M16 THROUGH BOLT	180	86	97	2200kg
3 x M16 THREADED ROD WITH ICCON BIS-HY ADHESIVE	250	120	120	3000kg

INSTALLATION NOTES

1. CONCRETE STRENGTH 25MPa MIN.
2. CONCRETE SLAB THICKNESS 200mm MIN.
3. **TYPE 4** PIPE CLAMP BOLTS TO BE: CLASS 8.8 M12 ZINC BOLTS TORQUED TO 50Nm.
4. CONCRETE ANCHORS TO BE INSTALLED TO MANUFACTURERS RECOMMENDATIONS.
5. **TYPE 4** MINIMUM CONCRETE ANCHOR EDGE DISTANCE 160mm.
6. **TYPE 4** MINIMUM ANCHOR SPACING 70mm.
7. LOAD DIRECTION IS VERTICAL DOWNWARD.
8. ANCHOR BRACKET TO BE MOUNTED TO TOP OF FLOOR SLAB.
9. ANCHOR MOUNTING PLATE TO BEAR COMPLETELY ON FLOOR SLAB (NO OVER HANG).



FM170 - 2 BOLT CLAMP FOR STEEL PIPE

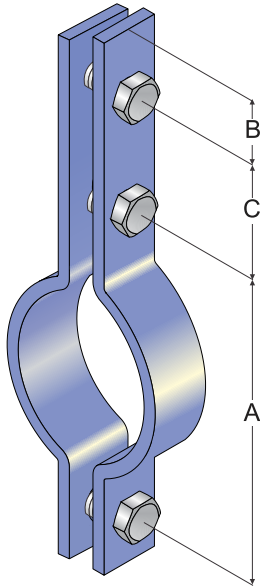


STAINLESS STEEL AVAILABLE ON REQUEST

LIGHT SERIES							
PART NO.	PIPE SIZE	PIPE O.D	A	B	MATERIAL	HOLE DIA.	FINISH
FM170L-76	65nb	76.1	126	18	40 x 6	14Ø	HDG
FM170L-89	80nb	88.9	136	18	40 x 6	14Ø	
FM170L-115	100nb	114.3	170	18	40 x 6	14Ø	
FM170L-140	125nb	139.7	196	24	40 x 6	18Ø	
FM170L-168	150nb	168.3	226	24	40 x 6	18Ø	
FM170L-194	175nb	193.7	270	24	40 x 8	18Ø	
FM170L-219	200nb	219.1	296	24	40 x 8	18Ø	
FM170L-245	225nb	244.5	320	24	40 x 8	18Ø	
FM170L-273	250nb	273	350	24	40 x 8	18Ø	
FM170L-324	300nb	323.9	420	30	50 x 10	22Ø	
FM170L-356	350nb	355.6	460	36	65 x 10	26Ø	
FM170L-406	400nb	406.4	536	36	65 x 16	26Ø	
FM170L-457	450nb	457	626	45	65 x 20	32Ø	
FM170L-508	500nb	508	676	45	65 x 20	32Ø	
FM170L-559	550nb	559	736	45	65 x 20	32Ø	
FM170L-610	600nb	610	780	45	90 x 20	32Ø	
FM170L-660	650nb	660	830	45	90 x 20	32Ø	
FM170L-711	700nb	711	880	45	90 x 20	32Ø	
FM170L-762	750nb	762	930	45	90 x 20	32Ø	
FM170L-813	800nb	813	1020	45	90 x 25	32Ø	
FM170L-864	850nb	864	1070	45	90 x 25	32Ø	
FM170L-910	900nb	919	1120	45	90 x 25	32Ø	
FM170L-1016	1000nb	1016	1250	54	130 x 30	42Ø	

HEAVY SERIES							
PART NO.	PIPE SIZE	PIPE O.D	A	B	MATERIAL	HOLE DIA.	FINISH
FM170H-21	15nb	21.3	66	15	40 x 6	12Ø	HDG
FM170H-27	20nb	26.9	70	15	40 x 6	12Ø	
FM170H-34	25nb	33.7	76	15	40 x 6	12Ø	
FM170H-42	32nb	42.4	90	18	40 x 6	14Ø	
FM170H-48	40nb	48.3	96	18	40 x 6	14Ø	
FM170H-60	50nb	60.3	106	18	40 x 6	14Ø	
FM170H-76	65nb	76.1	156	24	40 x 8	18Ø	
FM170H-89	80nb	88.9	166	24	40 x 8	18Ø	
FM170H-115	100nb	114.3	190	24	40 x 8	18Ø	
FM170H-140	125nb	139.7	216	24	40 x 8	18Ø	
FM170H-168	150nb	168.3	246	24	40 x 8	18Ø	
FM170H-194	175nb	193.7	280	24	50 x 10	18Ø	
FM170H-219	200nb	219.1	306	24	50 x 10	18Ø	
FM170H-245	225nb	244.5	340	30	65 x 10	22Ø	
FM170H-273	250nb	273	366	30	65 x 10	22Ø	
FM170H-324	300nb	323.9	456	36	65 x 16	26Ø	
FM170H-356	350nb	355.6	500	45	65 x 16	32Ø	
FM170H-406	400nb	406.4	576	45	65 x 20	32Ø	
FM170H-457	450nb	457	636	54	90 x 20	42Ø	
FM170H-508	500nb	508	716	54	100 x 25	42Ø	
FM170H-559	550nb	559	766	54	100 x 25	42Ø	
FM170H-610	600nb	610	830	63	130 x 25	48Ø	

FM171 - 3 BOLT CLAMP FOR STEEL PIPE



STAINLESS STEEL AVAILABLE ON REQUEST

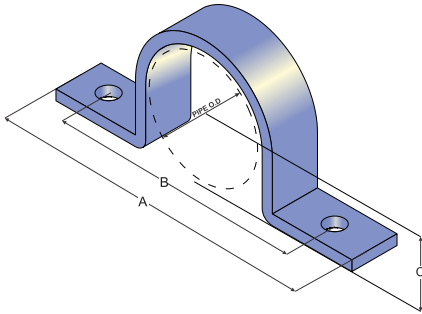
LIGHT SERIES

PART NO.	PIPE SIZE	PIPE O.D	A	B	C	MATERIAL	HOLE DIA.	FINISH
FM171L-76	65nb	76.1	126	18	105	40 x 6	14Ø	HDG
FM171L-89	80nb	88.9	136	18	105	40 x 6	14Ø	
FM171L-115	100nb	114.3	170	18	105	40 x 6	14Ø	
FM171L-140	125nb	139.7	216	24	95	40 x 6	18Ø	
FM171L-168	150nb	168.3	246	24	95	40 x 6	18Ø	
FM171L-194	175nb	193.7	270	24	95	40 x 8	18Ø	
FM171L-219	200nb	219.1	296	24	100	40 x 8	18Ø	
FM171L-245	225nb	244.5	330	24	95	40 x 8	18Ø	
FM171L-273	250nb	273	360	24	105	40 x 8	18Ø	
FM171L-324	300nb	323.9	446	30	95	50 x 10	22Ø	
FM171L-356	350nb	355.6	486	36	100	65 x 10	26Ø	
FM171L-406	400nb	406.4	560	36	90	65 x 16	26Ø	
FM171L-457	450nb	457	636	45	80	65 x 20	32Ø	
FM171L-508	500nb	508	700	45	85	65 x 20	32Ø	
FM171L-559	550nb	559	750	45	80	65 x 20	32Ø	
FM171L-610	600nb	610	806	45	80	90 x 20	32Ø	

HEAVY SERIES

PART NO.	PIPE SIZE	PIPE O.D	A	B	C	MATERIAL	HOLE DIA.	FINISH
FM171H-21	15nb	21.3	66	15	70	40 x 6	12Ø	HDG
FM171H-27	20nb	26.9	70	15	70	40 x 6	12Ø	
FM171H-34	25nb	33.7	76	18	70	40 x 6	12Ø	
FM171H-42	32nb	42.4	90	18	70	40 x 6	14Ø	
FM171H-48	40nb	48.3	96	18	85	40 x 6	14Ø	
FM171H-60	50nb	60.3	106	18	80	40 x 6	14Ø	
FM171H-76	65nb	76.1	156	24	90	40 x 8	18Ø	
FM171H-89	80nb	88.9	166	24	95	40 x 8	18Ø	
FM171H-115	100nb	114.3	190	24	95	40 x 8	18Ø	
FM171H-140	125nb	139.7	216	24	95	40 x 8	18Ø	
FM171H-168	150nb	168.3	246	24	95	40 x 8	18Ø	
FM171H-194	175nb	193.7	288	30	85	50 x 10	22Ø	
FM171H-219	200nb	219.1	316	30	95	50 x 10	22Ø	
FM171H-245	225nb	244.5	366	30	85	65 x 16	22Ø	
FM171H-273	250nb	273	390	30	90	65 x 16	22Ø	
FM171H-324	300nb	323.9	476	36	75	65 x 20	26Ø	
FM171H-356	350nb	355.6	526	45	80	65 x 20	32Ø	
FM171H-406	400nb	406.4	600	45	75	100 x 25	32Ø	
FM171H-457	450nb	457	660	54	85	100 x 25	42Ø	
FM171H-508	500nb	508	740	54	85	100 x 30	42Ø	
FM171H-559	550nb	559	790	54	85	100 x 30	42Ø	
FM171H-610	600nb	610	880	63	95	100 x 35	48Ø	

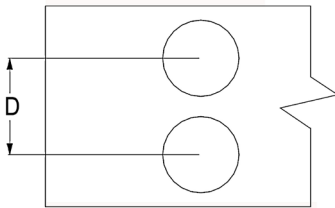
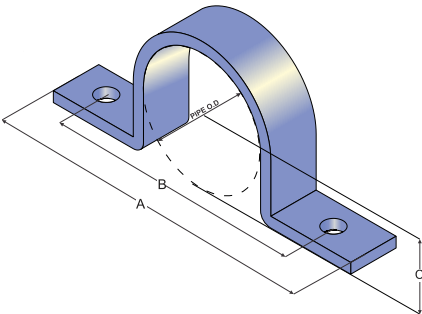
FM177H - SADDLE GUIDE HEAVY DUTY



STAINLESS STEEL AVAILABLE ON REQUEST

PART NO.	PIPE SIZE	PIPE O.D	A	B	C	MATERIAL	HOLE DIA.	FINISH
FM177H-21	15nb	21.3	182	106	10	40 x 6	12Ø	HDG
FM177H-27	20nb	26.9	186	110	13	40 x 6	12Ø	
FM177H-34	25nb	33.7	190	114	16	40 x 6	12Ø	
FM177H-43	32nb	42.4	204	128	20	40 x 8	14Ø	
FM177H-48	40nb	48.3	234	158	23	40 x 8	14Ø	
FM177H-60	50nb	60.3	238	162	29	40 x 8	14Ø	
FM177H-76	65nb	76.1	254	162	36	50 x 10	18Ø	
FM177H-89	80nb	88.9	275	198	43	50 x 10	18Ø	
FM177H-115	100nb	114.3	292	216	55	50 x 10	18Ø	
FM177H-140	125nb	139.7	320	238	68	65 x 10	22Ø	
FM177H-168	150nb	168.3	348	275	82	65 x 10	22Ø	
FM177H-194	175nb	193.7	404	328	95	65 x 16	22Ø	
FM177H-219	200nb	219.1	428	352	107	65 x 16	22Ø	

FM178H - SADDLE CLAMP HEAVY DUTY

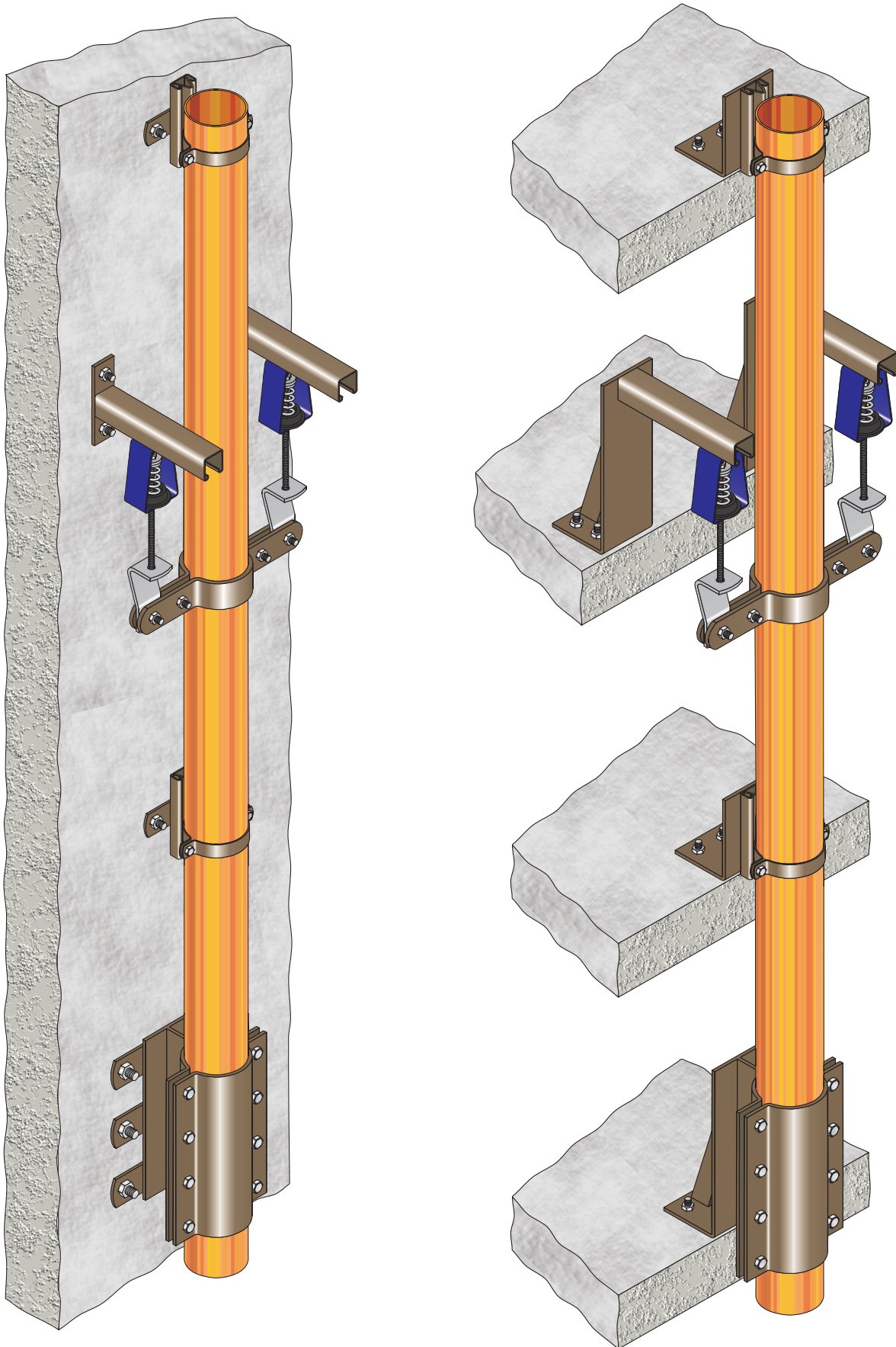


FOR DRILLING OF 600NB AND ABOVE

STAINLESS STEEL AVAILABLE ON REQUEST

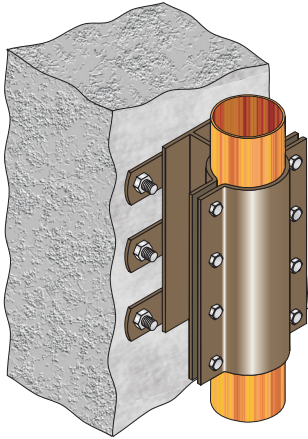
PART NO.	PIPE SIZE	PIPE O.D	A	B	C	MATERIAL	HOLE DIA.	FINISH
FM178H-21	15nb	21.3	178	102	8	40 x 6	12Ø	HDG
FM178H-27	20nb	26.9	180	106	11	40 x 6	12Ø	
FM178H-34	25nb	33.7	186	106	11	40 x 6	12Ø	
FM178H-42	32nb	42.4	200	124	18	40 x 8	14Ø	
FM178H-48	40nb	48.3	230	154	21	40 x 8	14Ø	
FM178H-60	50nb	60.3	234	158	27	40 x 8	14Ø	
FM178H-76	65nb	76.1	246	170	32	50 x 10	12Ø	
FM178H-89	80nb	88.9	266	190	39	50 x 10	18Ø	
FM178H-115	100nb	114.3	284	208	51	50 x 10	18Ø	
FM178H-140	125nb	139.7	312	230	64	65 x 10	22Ø	
FM178H-168	150nb	168.3	340	264	78	65 x 10	22Ø	
FM178H-194	175nb	193.7	396	320	91	65 x 10	22Ø	
FM178H-219	200nb	219.1	420	344	103	65 x 10	22Ø	
FM178H-245	225nb	244.5	410	360	122	65 x 16	22Ø	
FM178H-273	250nb	273	440	390	135	65 x 16	22Ø	
FM178H-324	300nb	323.9	490	440	162	65 x 16	22Ø	
FM178H-356	350nb	355.6	520	470	176	65 x 16	22Ø	
FM178H-406	400nb	406.4	590	530	202	65 x 16	22Ø	
FM178H-457	450nb	457	640	580	228	65 x 16	26Ø	
FM178H-508	500nb	508	690	630	258	65 x 16	26Ø	
FM178H-559	550nb	559	740	680	278	65 x 16	26Ø	
FM178H-610	600nb	610	780	730	305	100 x 16	22Ø	
FM178H-660	650nb	660	830	780	328	100 x 16	22Ø	
FM178H-711	700nb	711	880	830	355	100 x 16	22Ø	
FM178H-762	750nb	762	930	880	380	100 x 16	22Ø	
FM178H-813	800nb	813	1020	960	405	130 x 20	26Ø	
FM178H-864	850nb	864	1070	1010	430	130 x 20	26Ø	
FM178H-919	900nb	919	1120	1060	455	130 x 20	26Ø	
FM178H-1016	1000nb	1016	1230	1170	507	130 x 20	26Ø	

GAS RISER PIPE SUPPORTS

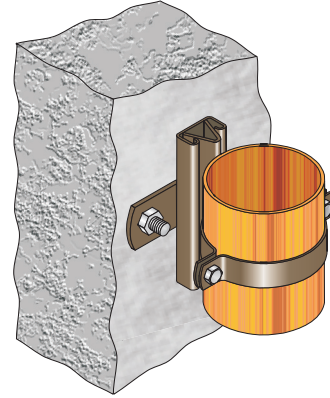


SPRING SELECTION: CONTACT YOUR NEAREST FLEXISTRUT BRANCH FOR CORRECT SPRING SELECTION

GAS RISER SPRING ASSEMBLY WALL MOUNT



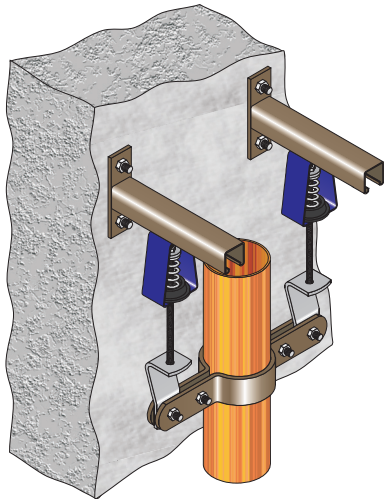
GAS RISER SPRING ASSEMBLY WALL MOUNT



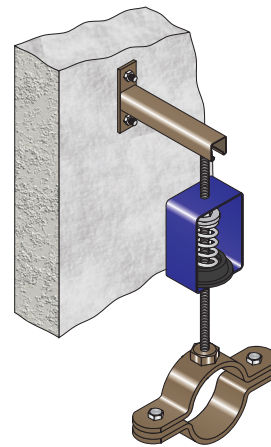
PART NO.	PIPE DIA.	FINISH
FMGR-001-015	15cu	POLY BROWN
FMGR-001-020	20cu	
FMGR-001-025	25cu	
FMGR-001-032	32cu	
FMGR-001-040	40cu	
FMGR-001-050	50cu	
FMGR-001-065	65cu	
FMGR-001-076	80cu	
FMGR-001-100	100cu	
FMGR-001-125	125cu	
FMGR-001-150	150cu	

PART NO.	PIPE DIA.	FINISH
FMGR-002-015	15cu	POLY BROWN
FMGR-002-020	20cu	
FMGR-002-025	25cu	
FMGR-002-032	32cu	
FMGR-002-040	40cu	
FMGR-002-050	50cu	
FMGR-002-065	65cu	
FMGR-002-076	80cu	
FMGR-002-100	100cu	
FMGR-002-125	125cu	
FMGR-002-150	150cu	

GAS RISER SPRING ASSEMBLY WALL MOUNT



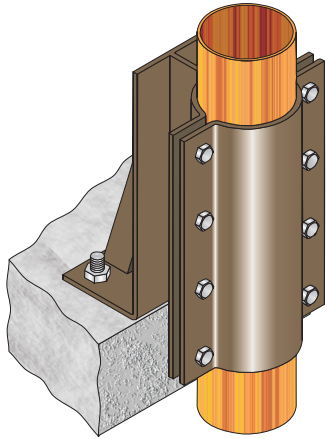
GAS RISER HORIZONTAL WALL MOUNT



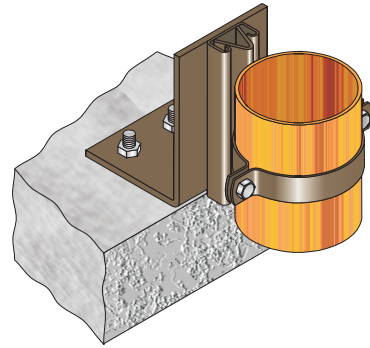
PART NO.	PIPE DIA.	FINISH
FMGR-003-015	15cu	POLY BROWN
FMGR-003-020	20cu	
FMGR-003-025	25cu	
FMGR-003-035	32cu	
FMGR-003-040	40cu	
FMGR-003-050	50cu	
FMGR-003-065	65cu	
FMGR-003-076	80cu	
FMGR-003-100	100cu	
FMGR-003-125	125cu	
FMGR-003-150	150cu	

PART NO.	PIPE DIA.	ROD DIA.	FINISH
FMGR-004-015	15cu	M10	POLY BROWN
FMGR-004-020	20cu	M10	
FMGR-004-025	25cu	M10	
FMGR-004-032	32cu	M10	
FMGR-004-040	40cu	M10	
FMGR-004-050	50cu	M10	
FMGR-004-065	65cu	M12	
FMGR-004-076	80cu	M12	
FMGR-004-100	100cu	M16	
FMGR-004-125	125cu	M16	
FMGR-004-150	150cu	M20	

GAS RISER ANCHOR FLOOR MOUNT



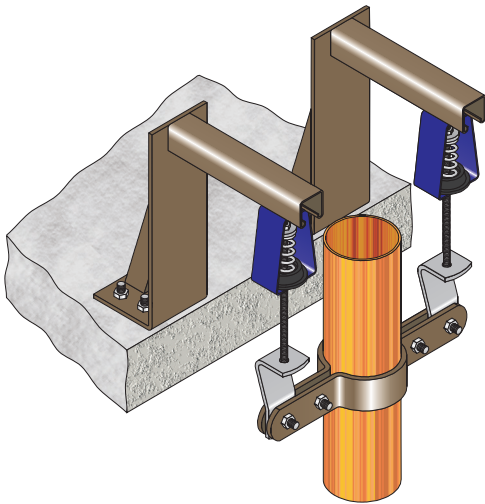
GAS RISER GUIDE FLOOR MOUNT



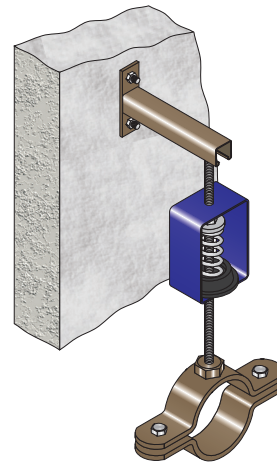
PART NO.	PIPE DIA.	FINISH
FMGR-005-015	15cu	POLY BROWN
FMGR-005-020	20cu	
FMGR-005-025	25cu	
FMGR-005-032	32cu	
FMGR-005-040	40cu	
FMGR-005-050	50cu	
FMGR-005-065	65cu	
FMGR-005-076	80cu	
FMGR-005-100	100cu	
FMGR-005-125	125cu	
FMGR-005-150	150cu	

PART NO.	PIPE DIA.	FINISH
FMGR-006-015	15cu	POLY BROWN
FMGR-006-020	20cu	
FMGR-006-025	25cu	
FMGR-006-032	32cu	
FMGR-006-040	40cu	
FMGR-006-050	50cu	
FMGR-006-065	65cu	
FMGR-006-076	80cu	
FMGR-006-100	100cu	
FMGR-006-125	125cu	
FMGR-006-150	150cu	

GAS RISER SPRING ASSEMBLY FLOOR MOUNT



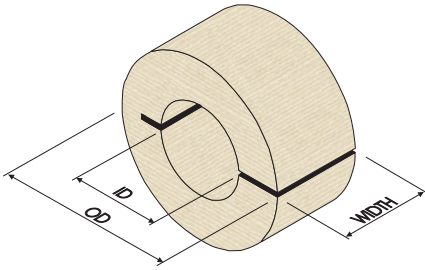
GAS RISER HORIZONTAL FLOOR MOUNT



PART NO.	PIPE DIA.	FINISH
FMGR-007-015	15cu	POLY BROWN
FMGR-007-020	20cu	
FMGR-007-025	25cu	
FMGR-007-032	32cu	
FMGR-007-040	40cu	
FMGR-007-050	50cu	
FMGR-007-065	65cu	
FMGR-007-076	80cu	
FMGR-007-100	100cu	
FMGR-007-125	125cu	
FMGR-007-150	150cu	

PART NO.	PIPE DIA.	ROD DIA.	FINISH
FMGR-008-015	15cu	M10	POLY BROWN
FMGR-008-020	20cu	M10	
FMGR-008-025	25cu	M10	
FMGR-008-032	32cu	M10	
FMGR-008-040	40cu	M10	
FMGR-008-050	50cu	M10	
FMGR-008-065	65cu	M12	
FMGR-008-076	80cu	M12	
FMGR-008-100	100cu	M16	
FMGR-008-125	125cu	M16	
FMGR-008-150	150cu	M20	

FM136 - TIMBER FERRULE FOR STEEL PIPE



MATERIAL

F7 GRADE STRUCTURAL PLYWOOD

STANDARD WIDTHS

40mm, 80mm, 100mm
(OTHER WIDTHS AVAILABLE ON REQUEST)

ORDER: I.D. x O.D. x WIDTH

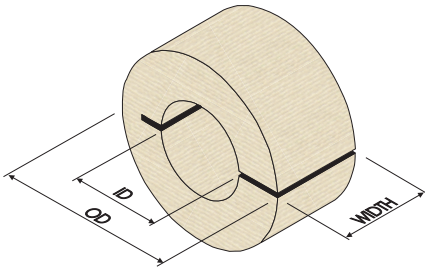
eg: FM136 73x127x40

STANDARD SIZES SHOWN:

OTHER SIZES AVAILABLE ON REQUEST

PIPE SIZE	25mm INSULATION ID x OD	38mm INSULATION ID x OD	50mm INSULATION ID x OD	63mm INSULATION ID x OD	75mm INSULATION ID x OD
15nb	21.3 x 73	21.3 x 102	21.3 x 127	21.3 x 152	21.3 x 172
20nb	26.7 x 76	26.7 x 102	26.7 x 127	26.7 x 152	26.7 x 178
25nb	33.4 x 83	32 x 108 33.4 x 115	32 x 133 33.4 x 140	33.4 x 160	33.4 x 190
32nb	42.2 x 89	42.2 x 115	42.2 x 140	42.2 x 168	42.2 x 190
40nb	48.3 x 102	48.3 x 127	48.3 x 152	48.3 x 175	48.3 x 203
50nb	60.3 x 115	60.3 x 140	60.3 x 165	60.3 x 190	60.3 x 203
65nb	73 x 127	73 x 152	73 x 178	73 x 203	73 x 228
80nb	88.9 x 140	88.9 x 165	88.9 x 190	88.9 x 220	88.9 x 240
100nb	114.3 x 165	114.3 x 190	114.3 x 220	114.3 x 240	114.3 x 268
125nb	141.3 x 190	141.3 x 220	141.3 x 240	141.3 x 268	141.3 x 303
150nb	165.1 x 220	165.1 x 240	165.1 x 268	165.1 x 303	165.1 x 324
150nb (sched 40)	168.3 x 220	168.3 x 240	168.3 x 268	168.3 x 303	168.3 x 324
200nb	219.1 x 275	219.1 x 302	219.1 x 324	219.1 x 355	219.1 x 375
250nb	273.0 x 324	273.0 x 356	273.0 x 375	273.0 x 406	273.0 x 424
300nb	324.0 x 375	324.0 x 406	324.0 x 424	324.0 x 456	324.0 x 475
350nb	355.6 x 406	355.6 x 424	355.6 x 457	355.6 x 485	355.6 x 506
400nb	406.4 x 457	406.4 x 483	406.4 x 508	406.4 x 536	406.4 x 556
450nb	457.0 x 508	457.0 x 533	457.0 x 557	457.0 x 583	457.0 x 608
500nb	508.0 x 557	508.0 x 584	508.0 x 610	508.0 x 63	508.0 x 658
600nb	609.6 x 660	609.6 x 685	609.6 x 710	609.6 x 740	609.6 x 760

FM136 - TIMBER FERRULE FOR COPPER PIPE



MATERIAL

F7 GRADE STRUCTURAL PLYWOOD

STANDARD WIDTHS

40mm, 80mm, 100mm
(OTHER WIDTHS AVAILABLE ON REQUEST)

ORDER: I.D. x O.D. x WIDTH

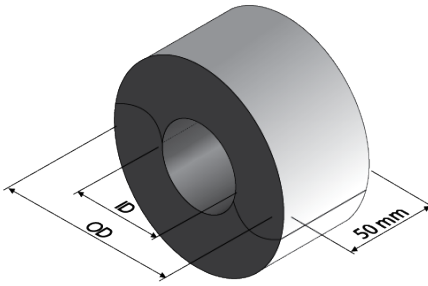
eg: FM136 127x203x40

STANDARD SIZES SHOWN:

OTHER SIZES AVAILABLE ON REQUEST

PIPE SIZE	25mm INSULATION ID x OD	38mm INSULATION ID x OD	50mm INSULATION ID x OD	63mm INSULATION ID x OD	75mm INSULATION ID x OD
15cu	12.7 x 64	12.7 x 89	12.7 x 114	12.7 x 140	12.7 x 163
20cu	19.1 x 70	19.1 x 95 19.1 x 102	19.0 x 127	19.0 x 152	19.0 x 168
25cu	25.4 x 76	25.4 x 102	25.4 x 127	25.4 x 152	25.4 x 175
32cu	31.8 x 83	31.8 x 114	31.8 x 133 31.8 x 140	31.8 x 165	31.8 x 178
40cu	38.1 x 89	38.1 x 114	38.1 x 140	38.1 x 165	38.1 x 190
50cu	51.2 x 102	51.2 x 127	51.2 x 152	51.2 x 178	51.2 x 203
65cu	63.5 x 114	63.5 x 140	63.5 x 165	63.5 x 190	63.5 x 215
80cu	76.2 x 127	76.2 x 152	76.2 x 178	76.2 x 203	76.2 x 228
100cu	101.6 x 152	101.6 x 178	101.6 x 203	101.6 x 228	101.6 x 252
125cu	127 x 178	127 x 203	127 x 228	127 x 252	127 x 275
150cu	152.4 x 203	152.4 x 228	152.4 x 252	152.4 x 275	152.4 x 303
200cu	203.2 x 252	203.2 x 275	203.2 x 302	203.2 x 324	203.2 x 355
250cu	254 x 300	254 x 330	254 x 355	254 x 375	254 x 400

FB136 - FLEXI BLOCK FOR STEEL PIPE



MATERIAL:
CROSSLINKED CLOSED CELL PE FOAM

DENSITY:
300 kg/m²

MOISTURE ABSORPTION:
(BY WEIGHT, ROOM TEMP, 5HRS)
<1%

TENSILE STRENGTH:
2.4 kg/m

TEAR STRENGTH:
8.3 kg/m²

THERMAL CONDUCTIVITY:
(ISO8302-1991)
0.065 W/mK

CONSTANT WORKING TEMP:
-40°C to 105°C

COMPRESSIVE STRENGTH:
(JIS 6767)
3.4 kg/cm²

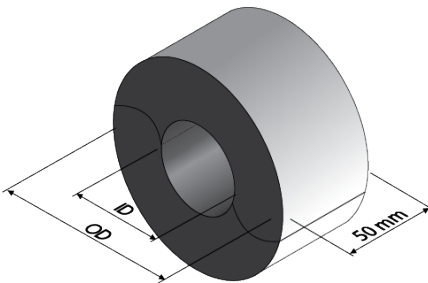
PIPE SIZE	25mm INSULATION ID x OD	38mm INSULATION ID x OD	50mm INSULATION ID x OD
15nb	21.3 x 73	21.3 x 102	21.3 x 127
20nb	26.7 x 76	26.7 x 102	26.7 x 127
25nb	33.4 x 83	33.4 x 115	33.4 x 140
32nb	42.2 x 89	42.2 x 115	42.2 x 140
40nb	48.3 x 102	48.3 x 127	48.3 x 152
50nb	60.3 x 115	60.3 x 140	60.3 x 165
65nb	73 x 127	73 x 152	73 x 178
80nb	88.9 x 140	88.9 x 165	88.9 x 190
100nb	114.3 x 165	114.3 x 190	114.3 x 220
125nb	141.3 x 190	141.3 x 220	141.3 x 240
150nb	165.1 x 220	165.1 x 240	165.1 x 268
150nb (sched 40)	168.3 x 220	168.3 x 240	168.3 x 268
200nb	219.1 x 275	219.1 x 302	219.1 x 324
250nb	273 x 324	273 x 356	273 x 375

STANDARD SIZES ONLY:

OTHER SIZES AVAILABLE ON REQUEST: 13mm, 19mm, 63mm, 75mm, 100mm

COMES BOUND WITH FIRE RATED SILVER SISAL

FB136 - FLEXI BLOCK FOR COPPER PIPE



MATERIAL:
CROSSLINKED CLOSED CELL PE FOAM

DENSITY:
300 kg/m²

MOISTURE ABSORPTION:
(BY WEIGHT, ROOM TEMP, 5HRS)
<1%

TENSILE STRENGTH:
2.4 kg/m

TEAR STRENGTH:
8.3 kg/m²

THERMAL CONDUCTIVITY:
(ISO8302-1991)
0.065 W/mK

CONSTANT WORKING TEMP:
-40°C to 105°C

COMPRESSIVE STRENGTH:
(JIS 6767)
3.4 kg/cm²

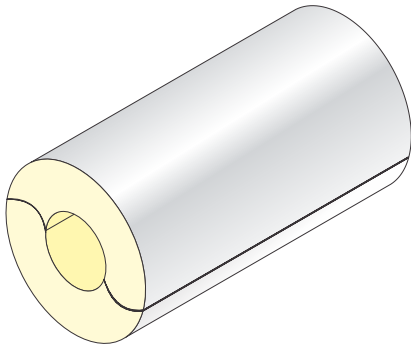
PIPE SIZE	25mm INSULATION ID x OD	38mm INSULATION ID x OD	50mm INSULATION ID x OD
15cu	12.7 x 64	12.7 x 89	12.7 x 114
20cu	19.1 x 70	19.1 x 95	19.0 x 127
25cu	25.4 x 76	25.4 x 102	25.4 x 127
32cu	31.8 x 83	31.8 x 114	31.8 x 133
40cu	38.1 x 89	38.1 x 114	38.1 x 140
50cu	51.2 x 102	51.2 x 127	51.2 x 152
65cu	63.5 x 114	63.5 x 140	63.5 x 165
80cu	76.2 x 126	76.2 x 152	76.2 x 178
100cu	101.6 x 152	101.6 x 178	101.6 x 203
125cu	127 x 177	127 x 203	127 x 228
150cu	152.4 x 203	152.4 x 228	152.4 x 252
200cu	203.2 x 252	203.2 x 275	203.2 x 302

STANDARD SIZES ONLY:

OTHER SIZES AVAILABLE ON REQUEST: 13mm, 19mm, 63mm, 75mm, 100mm

COMES BOUND WITH FIRE RATED SILVER SISAL

PU - POLYURETHANE BLOCKS



ORDER: I.D X O.D
EXAMPLE - PU 102x178

STANDARD LENGTH:
1.2 METRES

PIPE SIZE	20mm INSULATION ID x OD	25mm INSULATION ID x OD	38mm INSULATION ID x OD	50mm INSULATION ID x OD
15cu	13 x 53	13 x 63	-	-
20cu	19 x 59	19 x 69	19 x 102	19 x 127
25cu	25 x 65	25 x 76	25 x 102	25 x 127
32cu	32 x 72	32 x 82	32 x 108	32 x 132
40cu	38 x 78	38 x 88	38 x 114	38 x 138
50cu	51 x 91	51 x 102	51 x 127	51 x 151
65cu	64 x 104	64 x 114	64 x 140	64 x 165
80cu	76 x 116	76 x 126	76 x 152	76 x 176
100cu	102 x 142	102 x 152	102 x 178	102 x 202
125cu	-	-	-	127 x 227
150cu	-	-	-	152 x 252