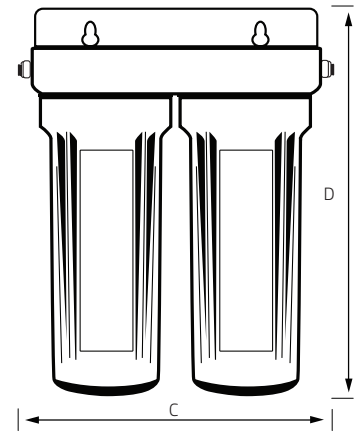


OT250 FAUCET

A	B
122 mm	292 mm



HOUSING

C	D	Depth
233 mm	340 mm	130 mm

GENERAL INFO

MAINS / TOWN WATER SUPPLY

Twin Undersink Filter System

Provides clear, great tasting water by removing chlorine, harmful chemicals, taste, odour and sediment. The Puretec Basic TW Series is an economical filter system that easily fits under your existing kitchen bench. Includes all you need for standard installation, making it nice and easy!

SPECIFICATIONS

Model Number:	TW1	TW1-PL
Pressure Limiting Valve:	Not Included	Included
Sediment Cartridge:	MB051	MB051
Taste & Odour Cartridge:	EC951	EC951
Min/Max Flow:	0 - 14 Lpm	0 - 14 Lpm
Min/Max Temperature:	0 - 45 °C	0 - 45 °C
Min/Max Pressure:	100 - 500~ kPa	100 - 500~ kPa
Micron Rating:	0.5 micron*	0.5 micron*
Connection:	¼" QC	¼" QC
Warranty:	1 year^	1 year^

*Important Note: Use only genuine Puretec replacement cartridge. ^1 year warranty is 1 year parts and labour. Excludes cartridges. *Micron Rating is nominal. Protect from freezing. ~Where line pressure exceeds 500 kPa, an approved pressure limiting device must be installed to comply with Australian & New Zealand Plumbing Standards. (Ref. AS/NZS 3500.1:2021, Clause 3.3.4).*

FEATURES & BENEFITS

- Turns your tap water into pure, safe, delicious and healthy drinking water.
- 1 year warranty^.
- Does not remove essential minerals or fluoride.
- Quick and easy installation.

