



RHEEM WALL MOUNTING BRACKET



ELECTRIC



CAPACITY



INDOOR/
OUTDOOR
INSTALLATION¹



The Rheem Wall Mounting Bracket is a convenient and easy solution to mount a small electric water heater on a wall. The water heater can be mounted on the wall for added safety and to save space.

The wall mounting bracket is suitable for the following water heater models:

Rheem:

- 25L - 191025¹, 111025¹
- 47L - 191045
- 50L - 191050¹
- 80L - 191080
- Stainless Steel: 50L - 4A1050¹, 80L - 4A1080

Vulcan:

- 50L - 691050, 80L - 601080

Aquamax:

- 50L - 991050, 80L - 981080

Everhot:

- 25L - 291025¹
- 50L - 291050¹
- 80L - 281080
- Stainless Steel: 50L - 2A1050

INSTALLATION

- Can only be used on walls that can support the load of a filled water heater. If in doubt, consult a Structural Engineer or other suitably qualified person.
- For fixing to wood use Tek screws. For fixing to concrete, brick masonry or natural stone use Dynabolts™ with 8mm masonry drill (nominal embedment 32mm). Dynabolts™ are not suitable for fixing to mortar or soft masonry.

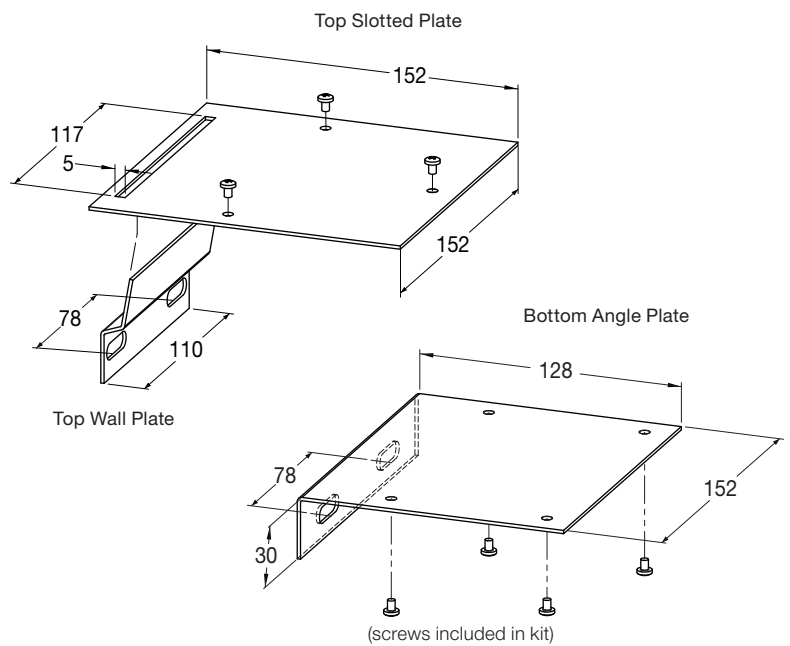
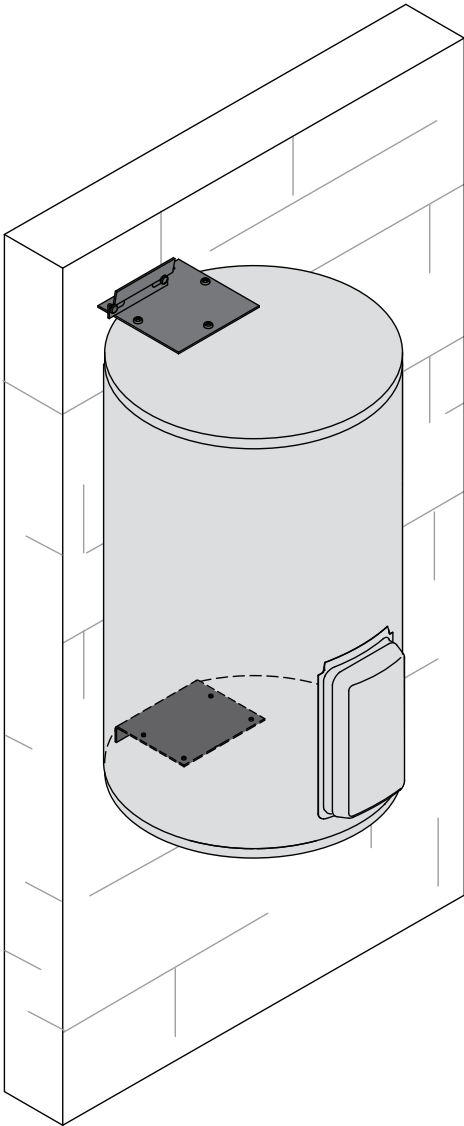
(Note: 4 Tek screws and 4 Dynabolts™ are included with the wall mounting bracket kit).





RHEEM WALL MOUNTING BRACKET

Rheem Wall Bracket Kit - 299120



Rheem Australia Pty Ltd.
 1 Alan Street, Rydalmere, New South Wales 2116, Australia
 PO Box 7508 Silverwater NSW 2128, Australia.
www.rheem.com.au

¹ 25L and 50L models plug and lead models only suitable for indoor installation.
 © Registered Trademark of Rheem Australia Pty Ltd.
 Materials and data are subject to change without notice.

