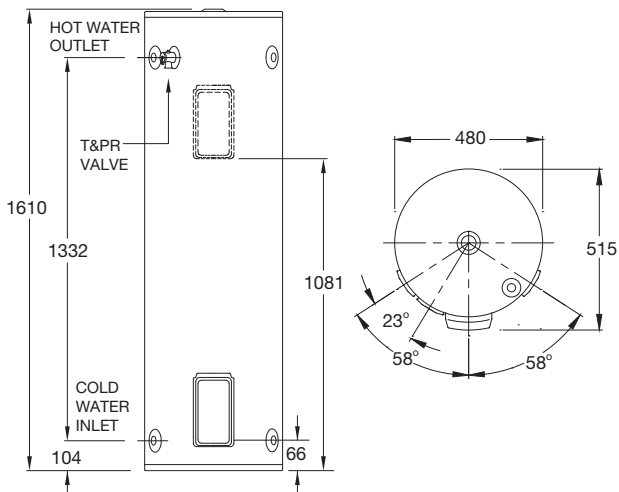


Features & Benefits



- Fast, easy like-for-like replacement
- Dual handed inlet and outlet fittings
- Exclusive Rheem Ultraname[®]
- Twin element model - 492160
- All models suit connection to concessional (off-peak) tariffs
- Mains pressure water delivery
- Australian made
- 12 year cylinder warranty¹



MODEL	491160 492160
Hot Water Delivery (L)	160
kW Rating	1.8, 2.4, 3.6
Relief Valve Pressure (kPa)	1400
Expansion Control Valve (kPa)	1200
Max Water Supply Pressure:	
with ECV (kPa)	960
without ECV (kPa)	1120
Water Connections	Rp ³ / ₄
Approx. Weight (packaged) kg	60



Scan code for
details & installation
instructions

