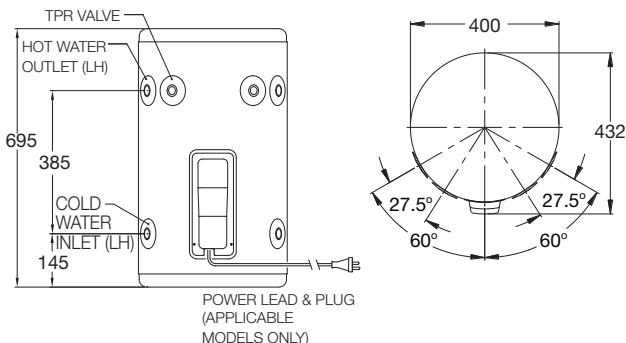


### Features & Benefits

- Compact design to fit into cupboards and under bench
- Stainless steel cylinder and water fittings resist corrosion for longer, extending product life
- Dual handed fittings located on the front of the water heater
- 4.8% better performance than MEPS reduces energy use, saving money
- Up to 42% lighter<sup>2</sup> - for easier handling and installation
- Australian made
- 12 year cylinder warranty<sup>1</sup>



MODEL	4A1050
Hot Water Delivery (L)	50
kW Rating	1.8, 2.4, 3.6
Relief Valve Pressure (kPa)	1400
Expansion Control Valve (kPa)	1200
<b>Max Water Supply Pressure:</b>	
with ECV (kPa)	960
without ECV (kPa)	1120
Water Connections	Rp 3/4
Approx. Weight (packaged) kg	16



Scan code for details & installation instructions

