

# BOILING AND CHILLED WATER

**High-flow, low-fuss,  
boiling water solutions.**

*“Servicing multiple fast food outlets around the clock and across the whole metropolitan area is very demanding.*

*That's why when it comes to boiling water I always install Rheem Lazer units. They are number one for reliability and have the best service and support.*

**Rob Thomas,  
Lightning Plumbing**

## CASE STUDY

### CORPORATE OFFICE BUILDING

WESTERN SYDNEY, NSW

#### Challenge

The kitchen of this office building is shared between different departments and visitors everyday. Boiling water is an essential part of work life for over 150 staff for this office.

#### Hot Water Solution

To ensure instant filtered boiling, chilled hot & cold water for this construction a Rheem boiling water underbench unit was installed in 2018.

The system consists of 1 x Rheem MAXI 4 unit with a pumped chiller and hot water supply from the boiling water unit that meets the peak demand of this busy work space.



INSTALL A



# FILTERED BOILING & CHILLED WATER - UNDERBENCH MAXI 3™

SUITED FOR UP TO 60 PEOPLE.  
INSTALL OVER SINK OR SINK  
FREE (KIT REQUIRED).

FILTERED  
BOILING 

FILTERED  
CHILLED 

FILTERED  
AMBIENT 

SLEEP  
MODE 

Filtered boiling and chilled water, delivering up to 165 cups\* of boiling water and 180 glasses\* of chilled water per hour.

## Clean filtered water

MAXI™ features a superior 5 micron filter to reduce impurities, chlorine taste as well as lime-scale build-up. A warning light indicates when the filter needs to be easily replaced.

## Energy saving

The seven day timer with programmable sleep mode means your appliance only uses power when needed without compromising on delivery. There is also the ability to set your boiling water temperature between 70-99°C.

## Safe to use

Implementing the safety lock for two-finger operation provides extra safety for staff, children and those more at risk. The no-splash, drip-free tap also provides safety at every step of operation.

## Hands-free function

Just click the red or blue lever up for continuous boiling or chilled water to fill larger jugs or containers safely.

## Flexible installation

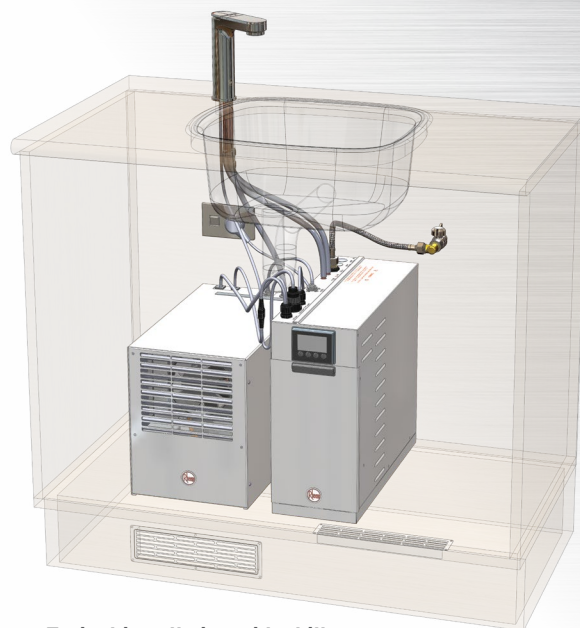
MAXI features modular under-bench heating and chiller units which provide better options for installation. The sink free kit enables the tap to be installed on a bench top or boardroom cabinet without a sink (cold water supply and waste required).

\* All data quoted is taken from Rheem laboratory test reports. The tests are based on a one hour period of delivery and recovery, and are conducted under the same controlled test conditions for all products.



## Available tap designs

MAXI 3™ is available in two dispenser tap designs – Aqua™ and Azure™.



Typical installation with chiller



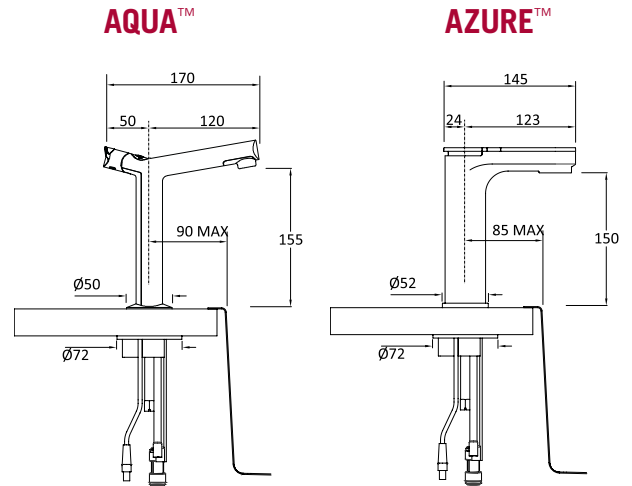
\* For full terms and conditions contact Rheem or visit [www.rheem.com.au/warranty](http://www.rheem.com.au/warranty)

COMES ON STEADY, HOT AND STRONG

# TECHNICAL DATA

| MAXI 3™ FILTERED, BOILING, CHILLED     |                    |                            |                   |
|--|--------------------|----------------------------|-------------------|
| AQUA™ TAP                              |                    | FBC165/180-AQ              |                   |
| AZURE™ TAP                             |                    | FBC165/180-AZ              |                   |
|  |                    | BOILING WATER              | CHILLED WATER     |
| Delivery – 1 hour                      | Cups <sup>32</sup> | 165 <sup>35</sup>          | 180 <sup>34</sup> |
| Weight empty                           | kg                 | 12                         | 17                |
| Weight full                            | kg                 | 18                         | 23                |
| Min water pressure                     | kPa                | 100                        |                   |
| Max water pressure                     | kPa                | 1000                       |                   |
| Electrical rating                      |                    | 220-240VAC 50Hz            |                   |
| Input                                  | W                  | 1800                       | 200               |
| Electrical connections                 |                    | 10 amp 3 pin plug and flex |                   |
| Plumbing connections                   |                    | R1/2 (BSPM)                |                   |
| Sound Pressure <sup>33</sup>           | dB(A)              | –                          | 50                |
| Product Dimensions                     |                    |                            |                   |
| A – Width                              | mm                 | 175                        | 250               |
| B – Depth                              | mm                 | 460                        | 430               |
| C – Height                             | mm                 | 405                        | 320               |
| Accessories                            |                    |                            |                   |
| Boiling Water Unit only Aqua           | Part No            | 743005F                    |                   |
| Boiling Water Unit only Azure          | Part No            | 743105F                    |                   |
| Slave chiller only                     | Part No            | UBWC-125                   |                   |
| Aqua sink-free and extension kit       | Part No            | 317453                     |                   |
| Azure sink-free and extension kit      | Part No            | 319042                     |                   |
| Azure base sink-free and extension kit | Part No            | 319047                     |                   |

## Dispensing Taps



<sup>32</sup> 170ml boiling water cups / 200ml chilled water glasses.

<sup>33</sup> Measured at 1m horizontally from a closed cupboard at bench height.

<sup>34</sup> Incoming cold water temperature 17-17.5°C, ambient temperature 21.1°C

<sup>35</sup> Incoming cold water temperature 30-31°C, Rheem 165 cups, Zip 155 cups, Billi 133 cups for 92°C delivery temperature. In real world conditions with incoming cold water temperature 17-17.5°C, Rheem delivers 120 cups, Zip delivers 98 cups, Billi delivers 86 cups.

## OPTIONS

### Pumped Chiller

With chiller – the product provides filtered boiling and filtered chilled water.

Without chiller – the product provides filtered boiling and filtered ambient water.

Each chiller supplied with ventilation kit for discreet kick-board mounting.

Chiller only suitable for use with Rheem MAXI™.



Chiller unit

### Sink free kits

Allows for bench top installation where no sink is installed (cold water supply and waste required).

Kit includes:

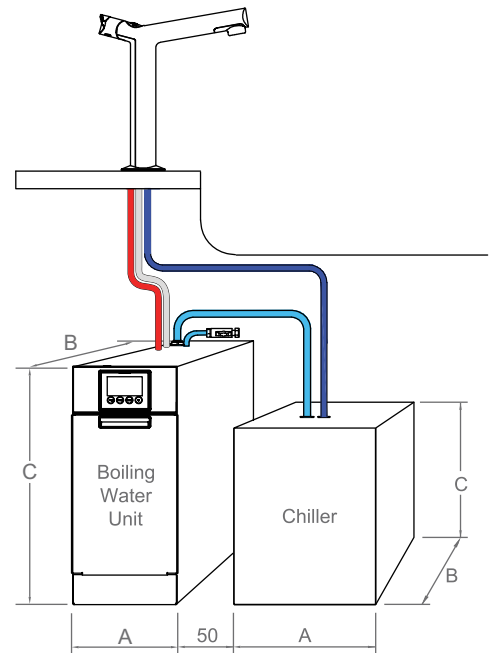
- Tap extension barrel 60mm for ease when filling tall jugs and glasses
- Drain fitting
- Separate drain tray and grate (both designs) or combined solid base (Azure™ only)



**317453**  
Aqua™ Split Sink Free + extension kit

**319042**  
Azure™ Split Sink Free + extension kit

**319047**  
Azure™ Base Sink Free + extension kit



INSTALL A





# FILTERED BOILING & CHILLED AND HOT FILTERED WATER - UNDERBENCH MAXI 4™

SUITED FOR 40 TO 60 PEOPLE.  
INSTALL OVER SINK ONLY.

FILTERED BOILING 

FILTERED CHILLED 

FILTERED AMBIENT 

HOT & COLD 

More filtered boiling and chilled water than comparable competitors, as well as hot and cold water from the compact under-bench unit.

## Delivers more

Delivers 165 cups<sup>36</sup> of boiling water per hour or 57 litres of hot/mixed water per hour (50°C).

## Less plumbing needed

Replaces traditional hot water system. Drained safe tray not required. Suitable for single point use only.

## Design options

MAXI 4™ is available in two dispenser tap designs – Aqua™ and Azure™.

Also available in two mixer tap designs – Style and Designer.

## Clean filtered water

MAXI™ features a superior 5 micron filter to reduce impurities, chlorine taste as well as lime-scale build-up. A warning light indicates when the filter needs to be easily replaced.

## Energy saving

The seven day timer with programmable sleep mode means your appliance only uses power when needed without compromising on delivery. There is also the ability to set your boiling water temperature between 70-99°C.

## Safe to use

Implementing the safety lock for two-finger operation provides extra safety for staff, children and those more at risk. The no-splash, drip-free tap also provides safety at every step of operation.



## Hands-free function

Just click the red or blue lever up for continuous boiling or chilled water to fill larger jugs or containers safely.

## Compact installation

Designed as a unique split system for flexible installation in tight spaces.

## Plus

- ✓ Replacement filter indicator.
- ✓ Auto calibration.
- ✓ Easy to maintain.



COMES ON STEADY, HOT AND STRONG

# TECHNICAL DATA

| MAXI 4™ FILTERED, BOILING, CHILLED, HOT |                            |                   |           |                   |
|---|----------------------------|-------------------|-----------|-------------------|
| AQUA™ TAP / STYLE MIXER                 |                            | FBCH165/180-AQS   |           |                   |
| AZURE™ TAP / DESIGNER MIXER             |                            | FBCH165/180-AZD   |           |                   |
|   |                            | BOILING WATER     | HOT WATER | CHILLED WATER     |
| Delivery – 1 hour                       | Cups <sup>36</sup>         | 165 <sup>39</sup> | –         | 180 <sup>38</sup> |
| Delivery – 1 hour (Litres @ 50°C)       | Litres                     | –                 | 57        | –                 |
| Weight empty                            | kg                         | 12                | –         | 17                |
| Weight full                             | kg                         | 18                | –         | 23                |
| Min water pressure                      | kPa                        | 100               |           |                   |
| Max water pressure                      | kPa                        | 1000              |           |                   |
| Electrical rating                       | 220-240VAC 50Hz            |                   |           |                   |
| Input                                   | W                          | 1800              | –         | 200               |
| Electrical connections                  | 10 amp 3 pin plug and flex |                   |           |                   |
| Plumbing connections                    | R1/2 (BSPM)                |                   |           |                   |
| Sound Pressure <sup>37</sup>            | dB(A)                      | –                 | –         | 50                |
| Product Dimensions                      |                            |                   |           |                   |
| A – Width                               | mm                         | 175               | –         | 250               |
| B – Depth                               | mm                         | 460               | –         | 430               |
| C – Height                              | mm                         | 405               | –         | 320               |
| Accessories                             |                            |                   |           |                   |
| Boiling/hot water unit only Aqua        | Part No                    | 7430054SR         |           |                   |
| Boiling/hot water unit only Azure       | Part No                    | 7431054DR         |           |                   |
| Slave chiller only                      | Part No                    | UBWC-125          |           |                   |
| Aqua sink-free and extension kit        | Part No                    | 317453            |           |                   |
| Azure sink-free and extension kit       | Part No                    | 319042            |           |                   |
| Azure base sink-free and extension kit  | Part No                    | 319047            |           |                   |

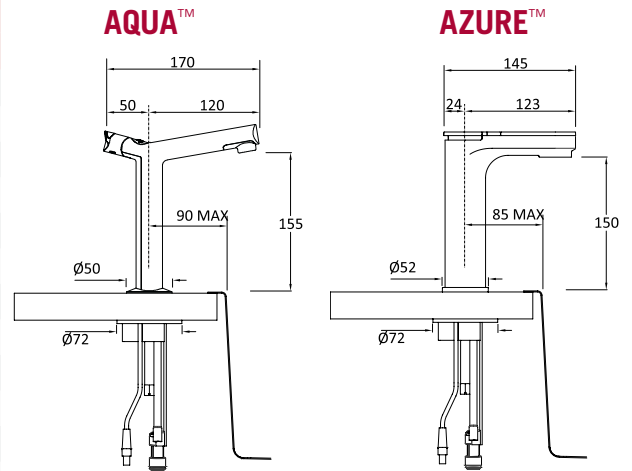
<sup>36</sup> 170ml boiling water cups / 200ml chilled water glasses.

<sup>37</sup> Measured at 1m horizontally from a closed cupboard at bench height.

<sup>38</sup> Incoming cold water temperature 17-17.5°C, ambient temperature 21.1°C

<sup>39</sup> Incoming cold water temperature 30-31°C, Rheem 165 cups, Zip 155 cups, Billi 133 cups for 92°C delivery temperature. In real world conditions with incoming cold water temperature 17-17.5°C, Rheem delivers 120 cups, Zip delivers 98 cups, Billi delivers 86 cups.

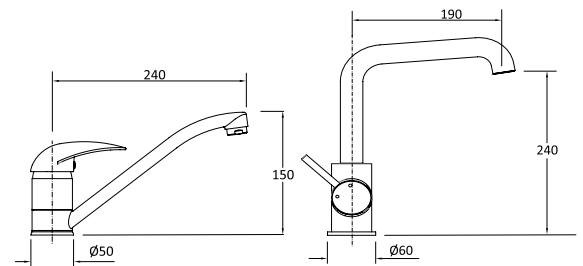
## Dispensing Taps



## Mixer Taps

### STYLE

### DESIGNER



# OPTIONS

## Pumped Chiller

With chiller – the product provides filtered boiling and filtered chilled water plus hot water.

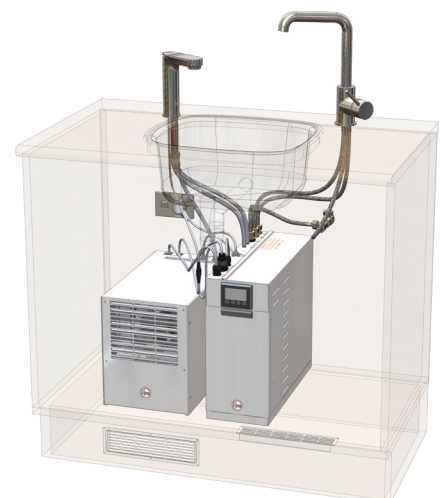
Without chiller – the product provides filtered boiling and filtered ambient water plus hot water.

Each chiller supplied with ventilation kit for discreet kick-board mounting.

Chiller only suitable for use with Rheem MAXI™.



Chiller unit



Typical installation with chiller

# BOILING WATER LAZER ECO

SUITED TO SMALL OFFICE KITCHENS AND SITE SHEDS



ECONOMICAL



UP TO 50 CUPS INSTANTLY



ECO MODE

High flow boiling water units for commercial applications.

## Safety first

Optional retrofit tap prevents accidental dispensing with its 3-step action.

## Low fuss

Delivers up to 50 cups instantly, with recovery of up to 123 cups per hour; an in-built indicator shows red when heating and green when in energy conservation mode.

## Energy management options

One-touch activation button for Eco Mode, automatically turns the Lazer Eco off after two hours with no use. Electronic temperature sensors allow staged filling, more reliable than cistern-valve models and boiling point is automatically calibrated to installation altitude.

## More key features

- Available in 3, 5 & 7.5L
- White enamel



\* For full terms and conditions contact Rheem or visit [www.rheem.com.au/warranty](http://www.rheem.com.au/warranty)

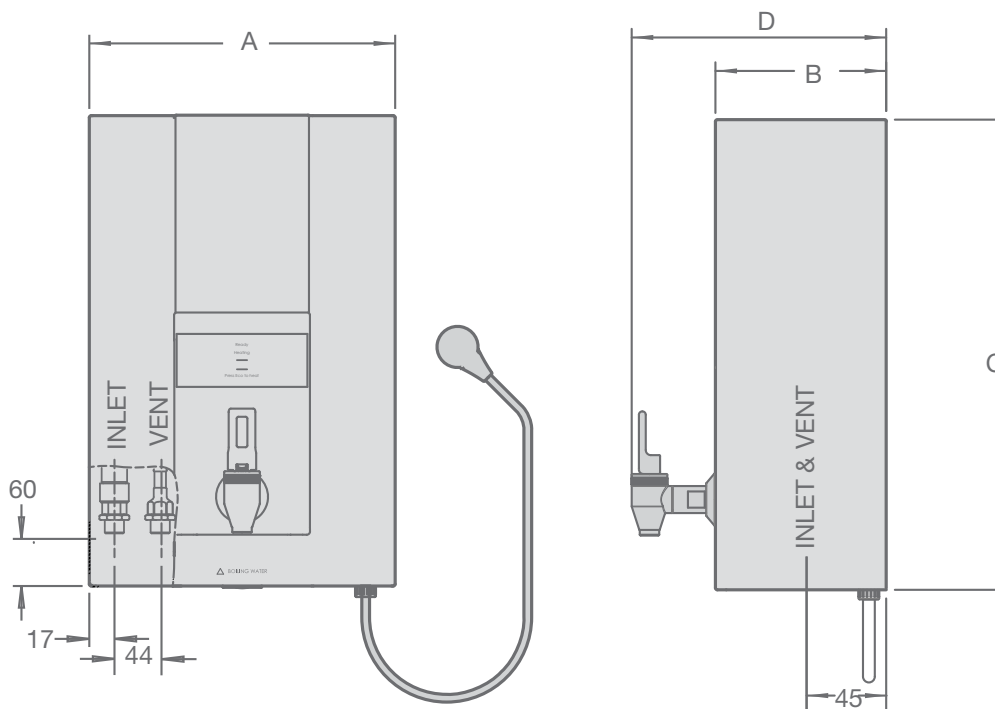
COMES ON STEADY, HOT AND STRONG

# TECHNICAL DATA

| LAZER BOILING WATER UNIT      |  | LAZER ECO |           |           |
|-------------------------------|--|-----------|-----------|-----------|
| WHITE POWDER COAT             |  | 70303W-AU | 70305W-AU | 70307W-AU |
| Capacity                      | Litres                                   | 3         | 5         | 7.5       |
| Delivery – Initial            | Litres                                   | 3.5       | 6         | 8.5       |
|                               | Cups <sup>40</sup>                       | 21        | 35        | 50        |
| Recovery                      | L/hr                                     | 17.5      | 23        | 23        |
|                               | Cups/hr <sup>40</sup>                    | 103       | 135       | 135       |
| Approx Weight Empty           | kg                                       | 6         | 8         | 9         |
| Approx Weight Full            | kg                                       | 10        | 15        | 19        |
| Minimum Water Pressure        | kPa                                      | 50        | 50        | 50        |
| Maximum Water Pressure        | kPa                                      | 1000      | 1000      | 1000      |
| Input                         | kW                                       | 1.8       | 2.4       | 2.4       |
| Electrical Connection         | supplied with 10 Amp 3 pin plug and flex |           |           |           |
| Plumbing Connections          | ½" BSPM                                  |           |           |           |
| <b>Product Dimensions</b>     |  |           |           |           |
| A width of unit               | mm                                       | 283       | 336       | 336       |
| B depth of unit excluding tap | mm                                       | 158       | 191       | 191       |
| C height of unit              | mm                                       | 435       | 465       | 515       |
| D depth of unit including tap | mm                                       | 228       | 261       | 261       |

<sup>40</sup> Cup size is 170ml

## Lazer Eco (703 Series)





# BOILING WATER LAZER COMMERCIAL

SUITED TO COMMERCIAL KITCHENS, SPORTING CLUBS & LARGE WORKPLACES



35% FASTER FILLING

UP TO 247 CUPS INSTANTLY



The high-flow, high-capacity, boiling water unit.

## High flow

High flow tap saves time with up to 35% faster filling compared to other like-for-like units\*.

## High capacity

Fill pots as well as cups: delivers up to 247<sup>40</sup> cups as fast as it can be drawn with a recovery of between 135 and 265<sup>40</sup> cups per hour.

## Energy management options

The user interface allows people to easily adjust temperatures. While a seven-day programmable timer, turns energy off when boiling water isn't needed.

Sleep mode turns off the system automatically when it hasn't been used for two hours. Electronic temperature sensors allow staged filling, more reliable than cistern-valve models and boiling point is automatically calibrated to installation altitude.

## Robust manufacture

All ranges come with copper tanks, a high water supply pressure rating (1000kPa) and optional filter kit for water protection and improved water taste. There are also automatic safety devices to safeguard the unit against boiling dry.

## More key features

- Available in 7.5, 10, 15, 25 & 40L
- White enamel or stainless outer jacket



\* For full terms and conditions contact Rheem or visit [www.rheem.com.au/warranty](http://www.rheem.com.au/warranty)

COMES ON STEADY, HOT AND STRONG

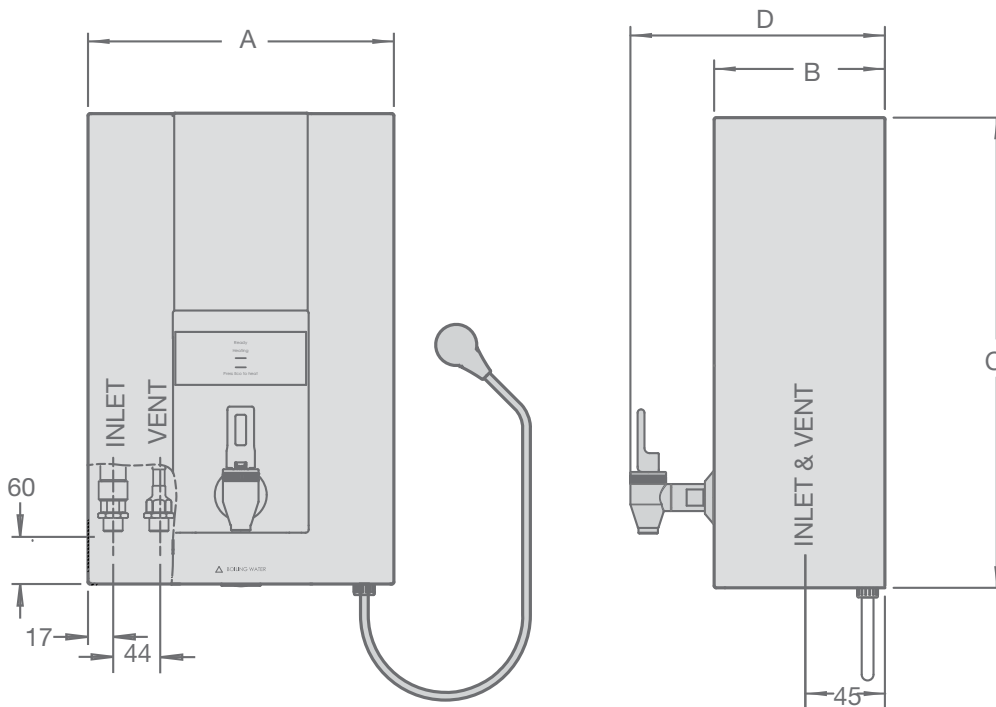


# TECHNICAL DATA

| LAZER BOILING WATER UNIT      |  | LAZER COMMERCIAL |           |           |            |           |
|-------------------------------|--|------------------|-----------|-----------|------------|-----------|
| WHITE POWDER COAT             |  | 70207W-AU        | 70210W    | 70215W-AU | 70225W-AU  | 70240W-AU |
| STAINLESS STEEL               |  | 70207S-AU        | 70210S-AU | 70215S-AU | 70225S-AU  | 70240S-AU |
| Capacity                      | Litres                                   | 7.5              | 10        | 15        | 25         | 40        |
| Delivery – Initial            | Litres                                   | 8.5              | 11        | 17        | 27         | 42        |
|                               | Cups <sup>40</sup>                       | 50               | 65        | 100       | 159        | 247       |
| Recovery                      | L/hr                                     | 23               | 23        | 23        | 35         | 45        |
|                               | Cups/hr <sup>40</sup>                    | 135              | 135       | 135       | 206        | 265       |
| Approx Weight Empty           | kg                                       | 9                | 10        | 15        | 17         | 19        |
| Approx Weight Full            | kg                                       | 19               | 22        | 34        | 47         | 67        |
| Minimum Water Pressure        | kPa                                      | 50               | 50        | 75        | 75         | 100       |
| Maximum Water Pressure        | kPa                                      | 1000             | 1000      | 1000      | 1000       | 1000      |
| Input                         | kW                                       | 2.4              | 2.4       | 2.4       | 3.6        | 4.6       |
| Electrical Connection         | Supplied with 10 Amp 3 Pin Plug and Flex |                  |           |           | Hard wired |           |
| Plumbing Connections          |  |                  |           |           |            | ½" BSPM   |
| <b>Product Dimensions</b>     |  |                  |           |           |            |           |
| A width of unit               | mm                                       | 336              | 336       | 336       | 721        | 490       |
| B depth of unit excluding tap | mm                                       | 191              | 191       | 299       | 299        | 340       |
| C height of unit              | mm                                       | 515              | 615       | 515       | 721        | 615       |
| D depth of unit including tap | mm                                       | 311              | 311       | 419       | 419        | 460       |

<sup>40</sup> Cup size is 170ml

## Lazer Commercial (702 Series)



# BOILING WATER LAZER OFFICE

SUITED TO SMALL OFFICE KITCHENS



SLEEP MODE



UP TO 35 CUPS INSTANTLY



ECO MODE

The Rheem Lazer Office offers elegance with efficiency.

## Lazer® Office

In 2013 the Rheem Lazer Office won an Australian International Design Award in the Commercial and Industrial category.



- Available in 3L & 5L (20 & 35 cups<sup>40</sup>)
- Recovery of up to 135 cups<sup>40</sup> per hour
- Consumer choice of powder coated white & easy clean stainless steel

## Low energy consumption

- Seven day timer ensures efficiency when boiling water is not required by turning the energy off.
- Sleep mode will turn off the system automatically when it has not been used for a set period of time

## Concealed tap

- Press the concealed tap for instant boiling water or pull the tap for hands free filling.
- The user interface allows people to easily adjust temperatures



\* For full terms and conditions contact Rheem or visit [www.rheem.com.au/warranty](http://www.rheem.com.au/warranty)

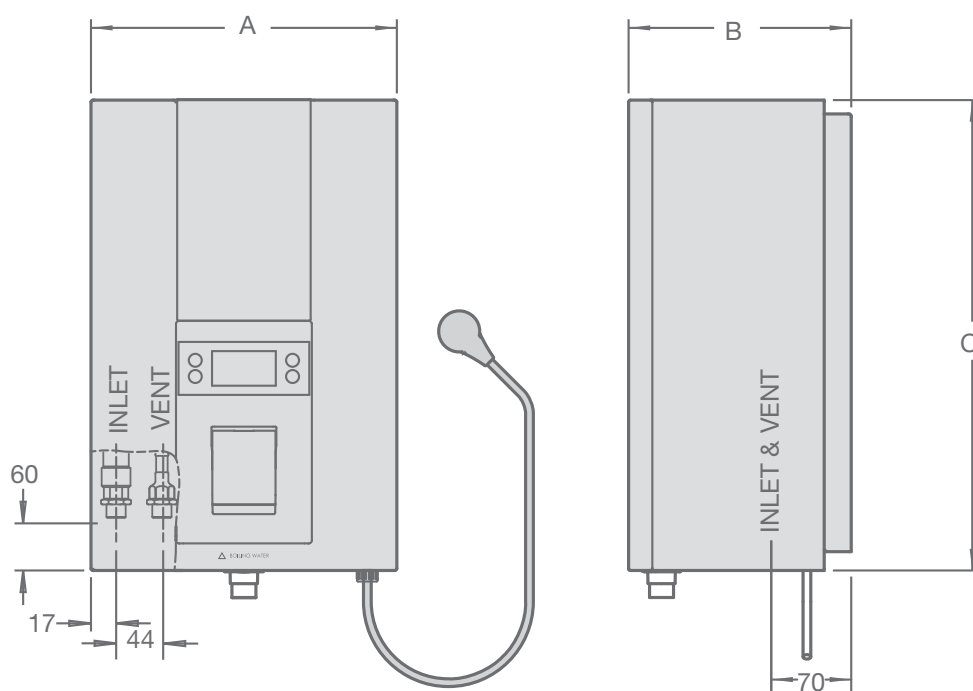
COMES ON STEADY, HOT AND STRONG

# TECHNICAL DATA

| LAZER BOILING WATER UNIT  |  | LAZER OFFICE |           |
|---------------------------|--|--------------|-----------|
| WHITE POWDER COAT         |  | 70103W-AU    | 70105W-AU |
| STAINLESS STEEL           |  | 70103S-AU    | 70105S-AU |
| Capacity                  | Litres                                   | 3            | 5         |
| Delivery – Initial        | Litres                                   | 3.5          | 6         |
|                           | Cups <sup>40</sup>                       | 21           | 35        |
| Recovery                  | L/hr                                     | 17.5         | 23        |
|                           | Cups/hr <sup>40</sup>                    | 103          | 135       |
| Approx Weight Empty       | kg                                       | 6            | 8         |
| Approx Weight Full        | kg                                       | 10           | 15        |
| Minimum Water Pressure    | kPa                                      | 50           | 50        |
| Maximum Water Pressure    | kPa                                      | 1000         | 1000      |
| Input                     | kW                                       | 1.8          | 2.4       |
| Electrical Connection     | Supplied with 10 Amp 3 Pin Plug and Flex |              |           |
| Plumbing Connections      | ½" BSPM                                  |              |           |
| <b>Product Dimensions</b> |  |              |           |
| A width of unit           | mm                                       | 336          | 336       |
| B depth of unit           | mm                                       | 181          | 181       |
| C height of unit          | mm                                       | 515          | 615       |

<sup>40</sup> Cup size is 170ml

## Lazer Office





# WHICH RHEEM PRODUCT IS RIGHT FOR ME?

FILTERED BOILING 

FILTERED CHILLED 

FILTERED AMBIENT 

HOT & COLD 

## UNDERBENCH — BOILING WATER APPLIANCES

Each MAXI™ Suggested for 40 to 60 people

|   |  |
|---|--|
|    |  <p><b>MAXI 3™ AQUA™</b><br/>FBC165/180-AQ</p>                  |
|   |  <p><b>MAXI 3™ AZURE™</b><br/>FBC165/180-AZ</p>               |
|   |  <p><b>MAXI 3™ AQUA™</b><br/>FB165-AQ</p>                      |
|  |  <p><b>MAXI 3™ AZURE™</b><br/>FB165-AZ</p>                   |
|  |  <p><b>MAXI 4™ AQUA™ + STYLE</b><br/>FBCH165/180-AQS</p>     |
|   |  <p><b>MAXI 4™ AZURE™ + DESIGNER</b><br/>FBCH165/180-AZD</p> |
|  |  <p><b>MAXI 4™ AQUA™ + STYLE</b><br/>FBH165-AQS</p>          |
|   |  <p><b>MAXI 4™ AZURE™ + DESIGNER</b><br/>FBH165-AZD</p>      |

COMES ON STEADY, HOT AND STRONG

# WALL MOUNTED — BOILING WATER APPLIANCES



## Lazer® Office — 3L

70103W-AU – White  
70103S-AU – Stainless Steel  
Max 124 cups p/hr<sup>41</sup>  
**UP TO 20 PEOPLE**

## Lazer® Office — 5L

70105W-AU – White  
70105S-AU – Stainless Steel  
Max 170 cups p/hr<sup>41</sup>  
**UP TO 35 PEOPLE**

## Worth considering?

Gain cost advantages by replacing the staff room jug or kettle with a Rheem Boiling Water appliance. If you have over 20 staff and each person drinks 3 cups of tea or coffee a day, think of the time saved and increased productivity.



## Lazer® Eco — 3L

70303W-AU – White  
Max 124 cups p/hr<sup>41</sup>  
**UP TO 20 PEOPLE**

## Lazer® Eco — 5L

70305W-AU – White  
Max 170 cups p/hr<sup>41</sup>  
**UP TO 35 PEOPLE**

## Lazer® Eco — 7.5L

70307W-AU – White  
Max 185 cups p/hr<sup>41</sup>  
**UP TO 50 PEOPLE**



## Lazer® Commercial — 7.5L

70207W-AU – White  
70207S-AU – Stainless Steel  
Max 185 cups p/hr<sup>41</sup>  
**UP TO 50 PEOPLE**

## Lazer® Commercial — 10L

70210W-AU – White  
70210S-AU – Stainless Steel  
Max 199 cups p/hr<sup>41</sup>  
**UP TO 65 PEOPLE**

## Lazer® Commercial — 15L

70215W-AU – White  
70215S-AU – Stainless Steel  
Max 235 cups p/hr<sup>41</sup>  
**UP TO 90 PEOPLE**

## Lazer® Commercial — 25L

70225W-AU – White  
70225S-AU – Stainless Steel  
Max 365 cups p/hr<sup>41</sup>  
**UP TO 150 PEOPLE**

## Lazer® Commercial — 40L

70240W-AU – White  
70240S-AU – Stainless Steel  
Max 512 cups p/hr<sup>41</sup>  
**UP TO 250 PEOPLE**

# BOILING WATER EXTRAS



## 317453

Aqua™ Split  
Sink Free +  
extension kit



## 319042

Azure™ Split  
Sink Free +  
extension kit



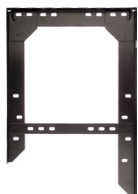
## 319047

Azure™ Base  
Sink Free +  
extension kit



## UBWC-125

Pumped chiller  
(includes  
ventilation kit)



## Retrofit Mounting Bracket

318961 - 3L Lazer® Eco  
318962 - 5L Lazer® Eco



## 317327

5 micron remote filter kit for  
Rheem Lazer® products



## 317067

5 micron replacement  
filter for Rheem MAXI™  
products



## Safety Tap

319068 – Lazer®  
Commercial



## Safety Tap

319069 – Lazer® Eco

<sup>41</sup> Total of initial delivery and recovery per/hr (cup size 170ml)