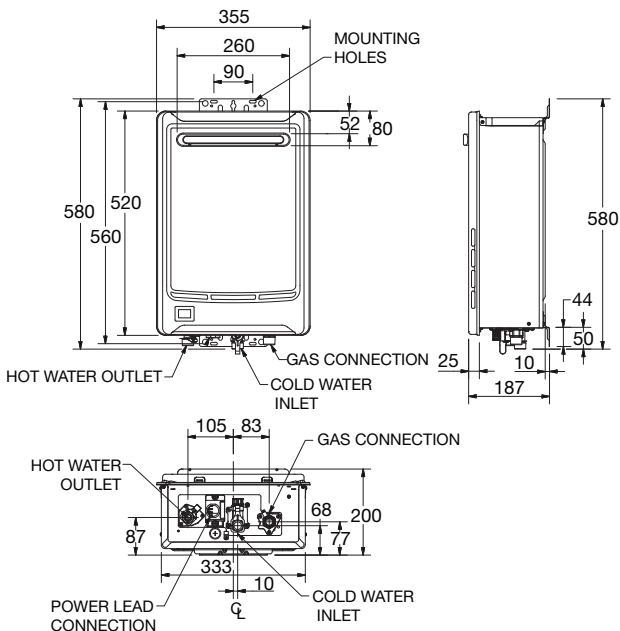


Features & Benefits



- 26 L/min continuous hot water delivery @ 25°C rise
- Remote Temperature Controller options
- 50°C models available (876T26), requiring no tempering valve³
- Digital display for easy fault diagnosis
- Natural gas & Propane models
- Accessories: Pipe cover 299426, Recess Box 299842, 299842/WA Security Cage 299867 Wall Mount Security Kit 299868
- 10 year heat exchanger warranty¹



MODEL	876T26 874T26
Min. Operating Flow rate (L/min)	2.0
Nom. Gas Consumption (MJ/hr)	199
Max Water Supply Pressure (kPa)	1000
Min Water Supply Pressure (kPa)	120
Water Connections	R 3/4
Gas Connection	R 3/4
Approx. Weight (Empty) kg	16



Scan code for details & installation instructions

