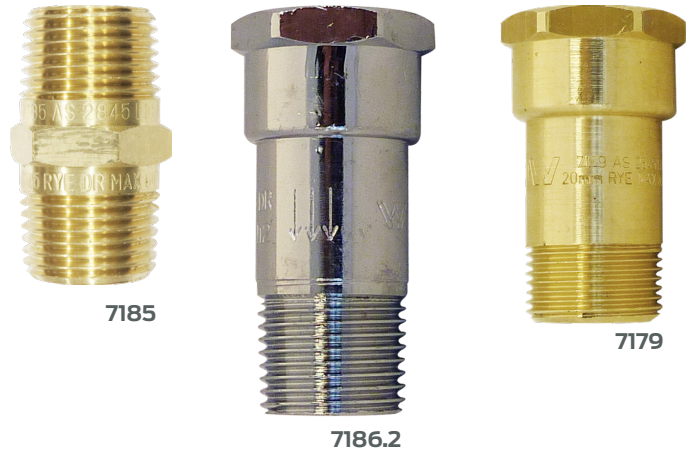


Mini Dual Check Valve

Scope of Use/Specification Sheet

The Mini Dual Check Valve is designed to prevent cross connections of non potable water into safe drinking water systems. The device is compact, economical, and easy to install both horizontally and vertically. It comprises of two independently acting, internally loaded check valves in series.



Product Code

Size		Product Code
15mm	Male x Male	7185
	Male x Male – Chrome	7185.2
	Male x Female	7186
	Male x Female – Chrome	7186.2
20mm	Male x Female	7179
	Male x Female – Chrome	7179.2

Materials

Body and covers	DR brass or chrome plate finish
Springs	Stainless steel

Features and Benefits

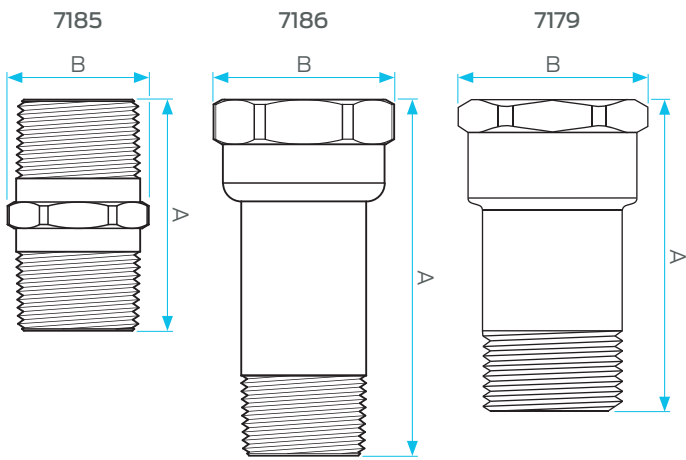
- Protects against back pressure and back siphonage
- Suitable for low hazard applications
- Compact and lightweight
- Corrosion resistant
- Independently operating check valves
- Maximum working pressure of 1200kPa
- Operating temperature range of 1°C to 60°C (7185, 7185.2, 7186 and 7186.2)
- Operating temperature range of 1°C to 80°C (7179 and 7179.2)
- Suitable for vertical and horizontal installations
- Choice of brass or chrome plated finish
- Approved to AS 2845.1

Mini Dual Check Valve

Dimensions

Model	Length (A)	Height (B)
7185	41	22
7186	56	25
7179	59	32

Note: All measurements in mm unless otherwise stated.



Standards and Approvals



AS 2845.1
WMKA1325

Performance Specifications

Size	7185	7186	7179
Inlet	Male BSP	Female BSP	Female BSP
Outlet	Male BSP	Male BSP	Male BSP
Rated flow	0.15L/s	0.15L/s	0.32L/s
Maximum working pressure	1200kPa	1200kPa	1200kPa
Maximum temperature	60°C	60°C	80°C
Maximum pressure loss	50kPa	50kPa	50kPa

Application

The Mini Dual Check Valve provides protection to the potable water supply from contamination in low hazard applications such as water filters and laboratory sinks.

Installation

Installation is subject to the requirements of the applicable regulatory authority, the National Construction Code Volume Three – Plumbing Code of Australia, associated reference standards as applicable at the time and AS/NZS 3500.1.

Warranty

Reliance Worldwide Corporation (Aust.) Pty. Ltd. (RWC) will either replace or repair any defective goods where the defect arose as a result of manufacture within the warranty period. You may contact RWC at the phone number, address or e-mail shown below for further information or to make a claim.

Visit www.rmc.com.au/warranty to view the warranty statement in full and for further important information.