

Please check actual product in box for bracket type used

# SPHERE 800D

## LED MIRROR

**PRODUCT CODE**

S80D

**SPECIFICATIONS**

WIDTH	800mm
HEIGHT	800mm
DEPTH	35mm
WEIGHT	11kg

**FEATURES**

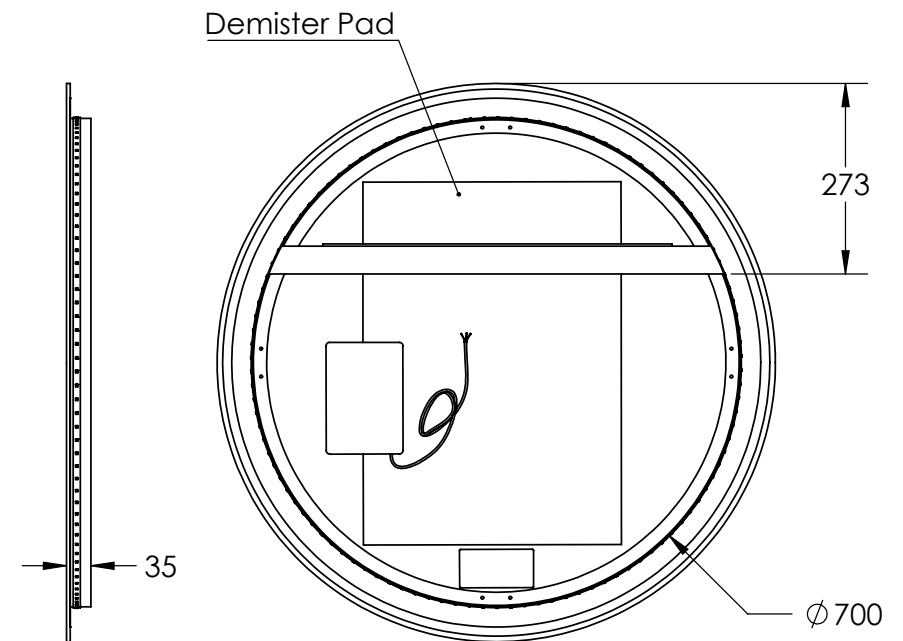
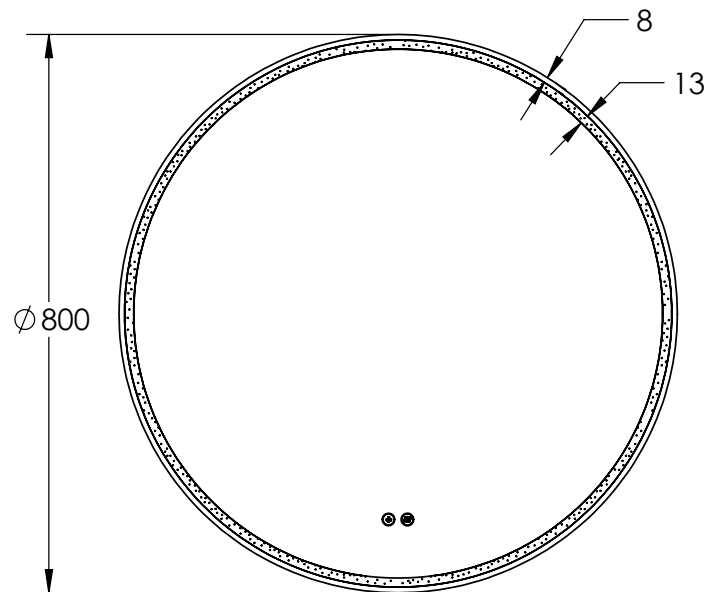
Copper Free Mirror
LED Lighting (Adjustable Colour Temperature)
Backlit
Touch Sensor
Demister with 1 Hour Auto Cut-off

**LIGHTING SPECIFICATIONS**

CCT	2700K - 6500K
CRI	>80

**INSTALLATION**

Wall mount
Hardwire
Input voltage: 220-240v 50Hz



Disclaimer: All LED Products requiring hardwiring must be installed by a licensed electrician in accordance with local regulations. Sizes are in mm and nominal and should be checked prior to installation. Actual colours may vary so please check colour samples before ordering. Installation is acceptance of our products. Installation of faulty, warped, chipped or damaged products will void our warranty.

# SPHERE 800D

**PRODUCT CODE**

S80D

## LED MIRROR

**SPECIFICATIONS**

WIDTH	800mm
HEIGHT	800mm
DEPTH	35mm
WEIGHT	11kg

**FEATURES**

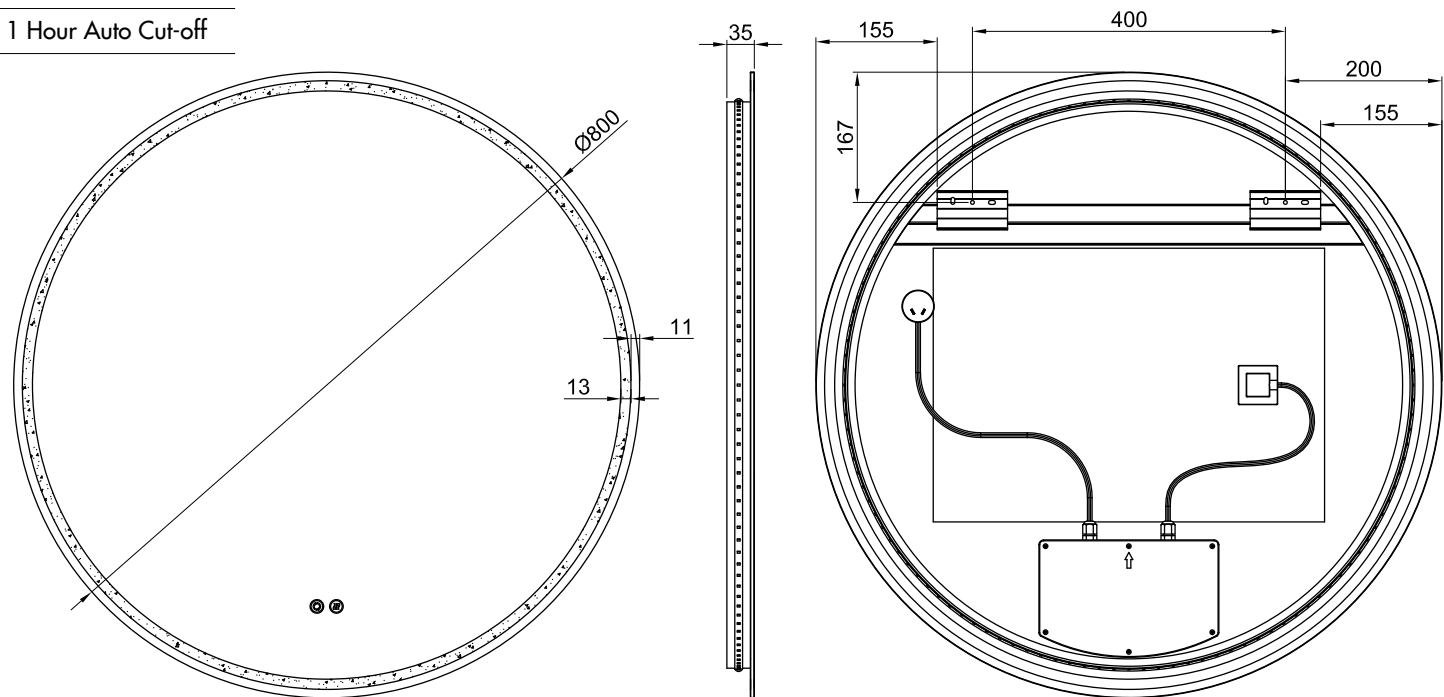
Copper Free Mirror
LED Lighting (Adjustable Colour Temperature)
Touch Sensor
Demister with 1 Hour Auto Cut-off

**LIGHTING SPECIFICATIONS**

CCT	2700K - 6500K
CRI	>80

**INSTALLATION**

Wall mount
Hardwire
Input voltage: 220-240v 50Hz



Disclaimer: All LED Products requiring hardwiring must be installed by a licensed electrician in accordance with local regulations. Sizes are in mm and nominal and should be checked prior to installation. Actual colours may vary so please check colour samples before ordering. Installation is acceptance of our products. Installation of faulty, warped, chipped or damaged products will void our warranty.

Please check actual product in box for bracket type used

# SPHERE 800D

## LED MIRROR WITH ALUMINIUM FRAME

### SPECIFICATIONS

WIDTH	810mm
HEIGHT	810mm
DEPTH	40mm
WEIGHT	12kg

### LIGHTING SPECIFICATIONS

CCT	2700K - 6500K
CRI	>80

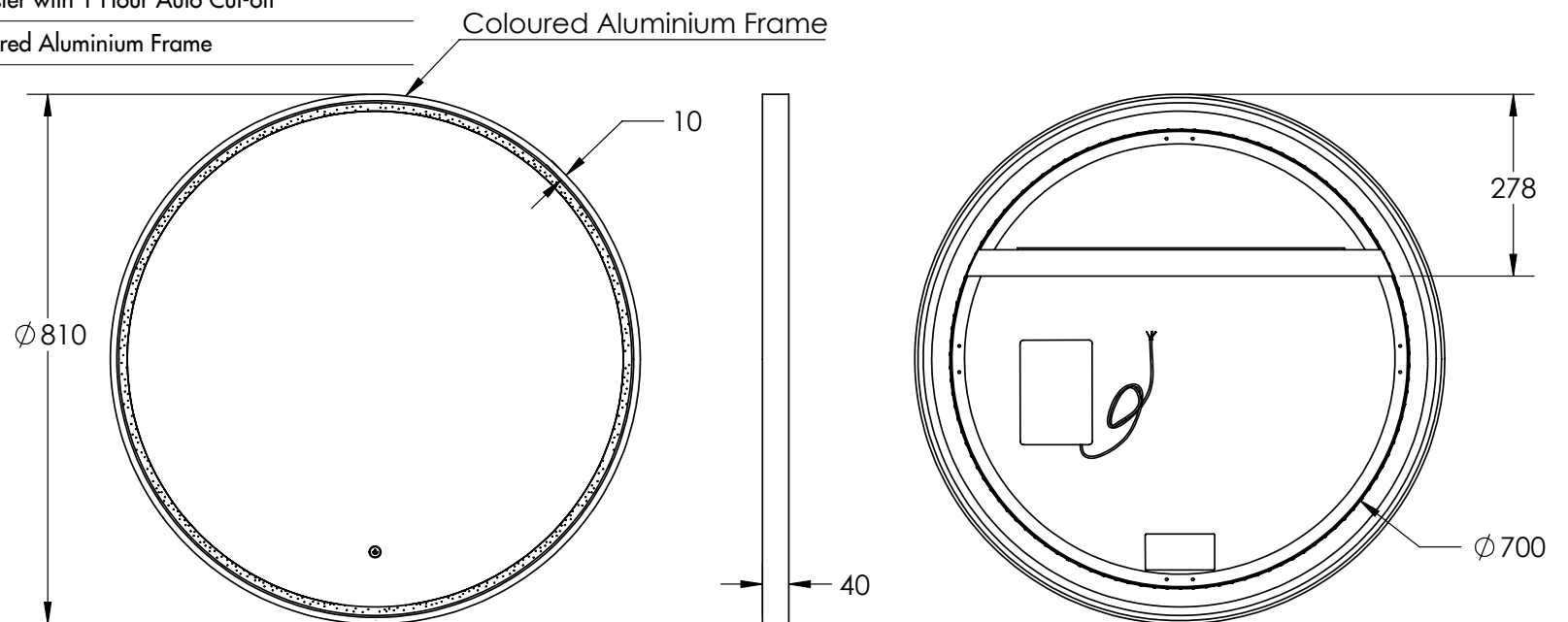
### INSTALLATION

Wall mount
Hardwire
Input voltage: 220-240v 50Hz

### FEATURES

Copper Free Mirror
LED Lighting (Adjustable Colour Temperature)
Frontlit
Touch Sensor
Demister with 1 Hour Auto Cut-off
Coloured Aluminium Frame

FINISH		PRODUCT CODE
Brushed Brass		S80D-BB
Brushed Nickel		S80D-BN
Gun Metal		S80D-GM
Matte Black		S80D-MB
Matte White		S80D-MW



Disclaimer: All LED Products requiring hardwiring must be installed by a licensed electrician in accordance with local regulations. Sizes are in mm and nominal and should be checked prior to installation. Actual colours may vary so please check colour samples before ordering. Installation is acceptance of our products. Installation of faulty, warped, chipped or damaged products will void our warranty.

Please check actual product in box for bracket type used

# SPHERE 800D

## LED MIRROR

### SPECIFICATIONS

WIDTH	805mm
HEIGHT	805mm
DEPTH	40mm
WEIGHT	11kg

### LIGHTING SPECIFICATIONS

CCT	2700K - 6500K
CRI	>80

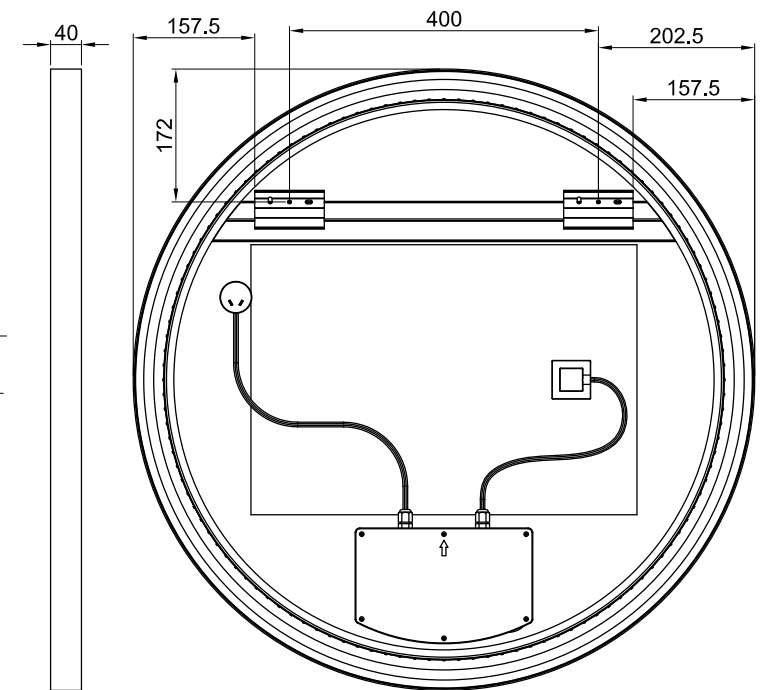
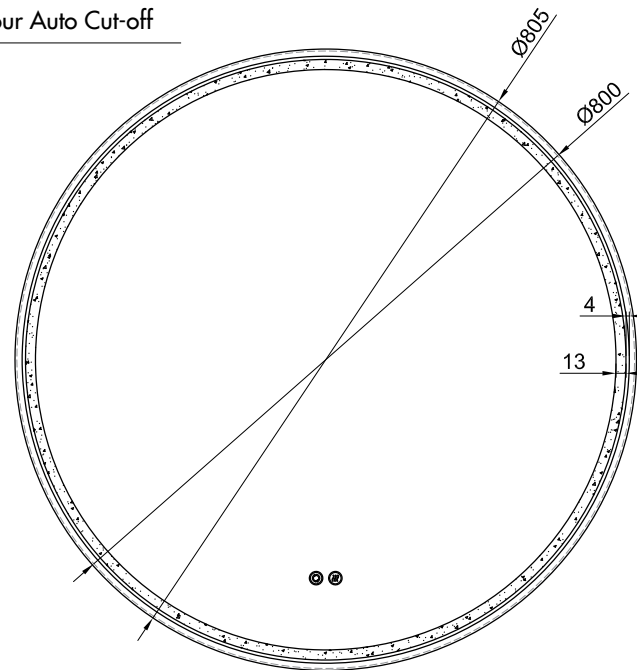
### INSTALLATION

Wall mount
Hardwire
Input voltage: 220-240v 50Hz

### FEATURES

Copper Free Mirror
LED Lighting (Adjustable Colour Temperature)
Touch Sensor
Demister with 1 Hour Auto Cut-off

FINISH		PRODUCT CODE
Brushed Brass		S80D-BB
Brushed Nickel		S80D-BN
Gun Metal		S80D-GM
Matte Black		S80D-MB
Matte White		S80D-MW



Disclaimer: All LED Products requiring hardwiring must be installed by a licensed electrician in accordance with local regulations. Sizes are in mm and nominal and should be checked prior to installation. Actual colours may vary so please check colour samples before ordering. Installation is acceptance of our products. Installation of faulty, warped, chipped or damaged products will void our warranty.