



APPLICATIONS

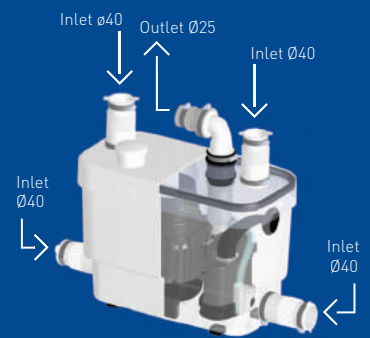


SANISPEED+



ATS 5200.101
Certificate No. 23048
Manufacturer: SFA
Brand: Saniflo

Product Reference:
SA101



SANISPEED®+

Ideal for light commercial environments such as small shops, cafes, offices, bars, automatic coffee machines and dental surgeries where grey water needs to be disposed of.



TECHNICAL CHARACTERISTICS

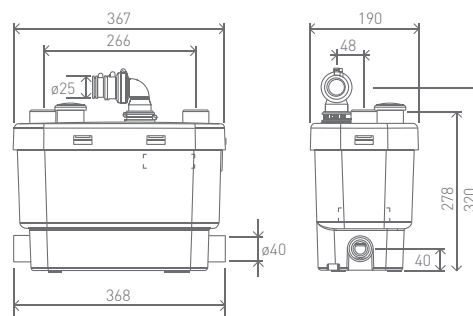
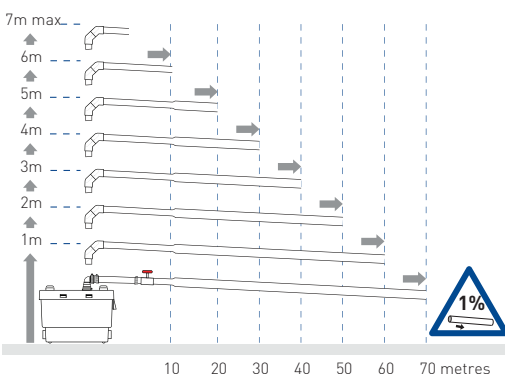
Discharge Pipework	25 mm
Motor Power	400 Watts
Voltages	220-240 V/50 Hz
Working Waste Water Temp	35°C/Max 75°C (intermittent)
Product Weight	6.4 kg
Overall Measurements	373 x 275 x 185 mm
Inlet Pipework	40 mm
IP Rating	IP44

WHY CHOOSE THIS PRODUCT?

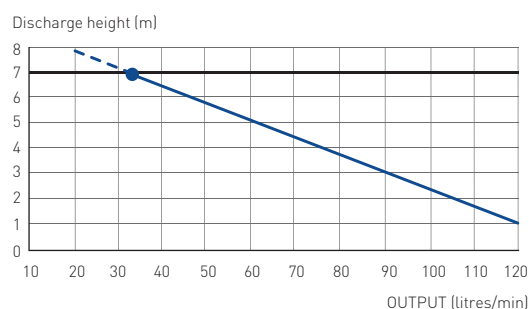
- Ideal for light commercial applications
- Low activation level (95 mm)
- Robust motor
- Four inlets – two side entries and two top entries
- Working temperature of 35°C
- Will handle up to 75°C for short periods (5 minutes)
- Carbon filter included to neutralise odours

VERTICAL/HORIZONTAL PERFORMANCE

Increase size of horizontal run by one pipe size after 5m.
All horizontal pipework requires a minimum of 1:100 fall.



FLOW RATE PERFORMANCE CHART



Made in France to the highest standards, needs to be installed by a licensed plumber